



Excellent Integrated System Limited

Stocking Distributor

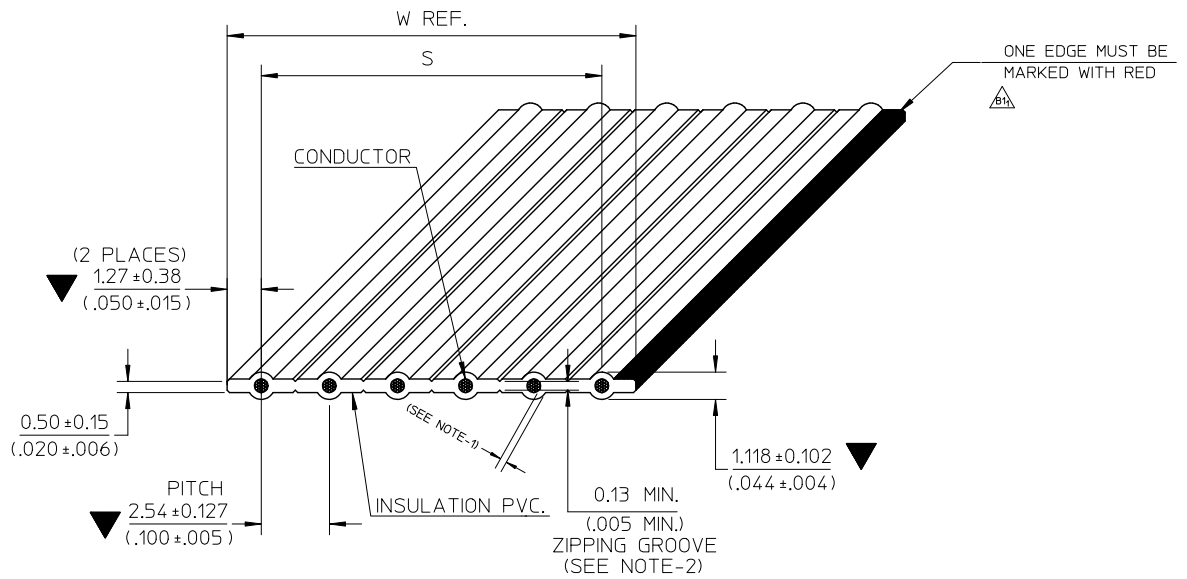
Click to view price, real time Inventory, Delivery & Lifecycle Information:

[Molex Connector Corporation](#)
[82-24-5911](#)

For any questions, you can email us directly:

sales@integrated-circuit.com

7 6 5 4 3 2 1



- NOTE :**
1. THE CABLE SHALL HAVE A MINIMUM OF 0.178mm. (.007") THICKNESS INSULATION AT ANY POINT
 2. RIP TEST:
 - THE 0.13mm. (.005") ZIPPING GROOVE SHALL BE CAPABLE OF BEING RIPPED BY HAND WITHIN THE RECESS, WITHOUT EXPOSING THE ADJACENT CONDUCTORS
 3. RoHS AND LEAD FREE COMPLIANT
 4. SPECIAL REQUIREMENT: N/A

PRODUCT APPLICATION	
<input checked="" type="checkbox"/>	GENERAL USE
<input type="checkbox"/>	AUTOMOTIVE
<input type="checkbox"/>	MEDICAL DEVICE

<table border="1"> <tr> <th>REV.</th> <th>EC NO.</th> <th>DETAIL</th> <th>DATE</th> </tr> <tr> <td>B1</td> <td>E-10-0371</td> <td>B1: REMOVE REELS MFG. IN NOG.</td> <td>2010/10/08</td> </tr> <tr> <td>B</td> <td>E-07-0748</td> <td>B2: ADD NON-OPERATING TEMP. B3: ADD SOLDERING CONDITION B2: CHANGE ELECTRICAL B1: CHANGE WEB THICKNESS</td> <td>2007/09/26</td> </tr> <tr> <td>A</td> <td>N/A</td> <td>NEW RELEASE</td> <td>2006/07/18</td> </tr> </table>	REV.	EC NO.	DETAIL	DATE	B1	E-10-0371	B1: REMOVE REELS MFG. IN NOG.	2010/10/08	B	E-07-0748	B2: ADD NON-OPERATING TEMP. B3: ADD SOLDERING CONDITION B2: CHANGE ELECTRICAL B1: CHANGE WEB THICKNESS	2007/09/26	A	N/A	NEW RELEASE	2006/07/18	SEE CHANGE DETAIL EC NO: THL2011-0054 DRWN: CPANSAKHOM 2010/10/08 CHKD: PMEECHAI 2011/01/25 APPR: SVIRATJAPOL 2011/03/31	QUALITY SYMBOLS ▽=3 ▽=0	GENERAL TOLERANCES (UNLESS SPECIFIED)		DIMENSION STYLE MM/IN		SCALE NTS	DESIGN UNITS INCH	THIRD ANGLE PROJECTION
	REV.	EC NO.	DETAIL	DATE																					
B1	E-10-0371	B1: REMOVE REELS MFG. IN NOG.	2010/10/08																						
B	E-07-0748	B2: ADD NON-OPERATING TEMP. B3: ADD SOLDERING CONDITION B2: CHANGE ELECTRICAL B1: CHANGE WEB THICKNESS	2007/09/26																						
A	N/A	NEW RELEASE	2006/07/18																						
DRAFT WHERE APPLICABLE MUST REMAIN WITHIN DIMENSIONS		DRAWN BY CPANSAKHOM	DATE 2006/07/18	TITLE FCB ROUND CONDUCTOR 2.54MM(.100)CENTER PVC. 24AWG STRANDED TOPCOATED		MOLEX INCORPORATED		DOCUMENT NO. SD-8997-001	SHEET NO. 1 OF 3																

tb_frame_A4_P_ME_T
Rev. E 2006/04/15

6 5 4 3 2 1

7 6 5 4 3 2 1

SPECIFICATIONS

PHYSICAL

CONDUCTOR SPACING _____ .254 (.100") ϕ TO ϕ
 WIRE GAUGE _____ 24 AWG(7/32) STRANDED TOPCOATED
 INSULATION _____ P.V.C GRAY (LEAD FREE)

AGENCY

U.L. STYLE NO. _____ 2651
 TEMPERATURE RATING _____ -20°C TO 105°C
 VOLTAGE RATING _____ 300V.MAX.
 FLAMMABILITY RATING _____ VW-1

ELECTRICAL

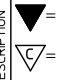
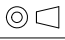
CONDUCTOR RESISTANCE (D.C.) _____ 27m. OHMS/FT. MAX.
 CHARACTERISTIC IMPEDANCE _____ 134 OHMS NOM. (GS)
 _____ 114 OHMS NOM. (GSG)
 CAPACITANCE _____ 6.6 pF/FT. NOM. (GS)
 _____ 12.0 pF/FT. NOM. (GSG)
 PROPAGATION DELAY _____ 1.4 ns/FT. NOM.
 INSULATION RESISTANCE _____ 10M OHMS (10FT. SAMPLE)
 DIELECTRIC WITHSTAND VOLTAGE _____ 2000 VRMS/MINUTE

GENERAL

NON-OPERATING TEMPERATURE _____ -20°C TO 105°C
 FAULTS AND/OR SPLICES _____ 1/REEL MAX. 100⁺³FT. (30.48^{+0.914}M.)/REEL
 20FT. (6.096M.) MIN. LENGTH

SOLDERING CONDITION

SOLDER TEMPERATURE _____ 260°C. MAX.
 SOLDERING TIME _____ 3 SECOND. MAX.
 INSULATION SHRINK _____ 2MM. NOM.

SEE CHANGE DETAIL EC NO: THL2011-0054 DRWN:CPANSAKHOM 2010/10/08 CHKD:PMEECHAI 2011/01/25 APPR:SVIRATJAPOL 2011/03/31	QUALITY SYMBOLS 	GENERAL TOLERANCES (UNLESS SPECIFIED)		DIMENSION STYLE		SCALE	DESIGN UNITS	 THIRD ANGLE PROJECTION	
			mm	INCH	MM/IN		NTS		INCH
		4 PLACES	±---	±---	DRAWN BY	DATE	TITLE		
		3 PLACES	±---	±---	CPANSAKHOM	2006/07/18	FCB ROUND CONDUCTOR		
		2 PLACES	±---	±---	CHECKED BY	DATE	2.54MM(.100)CENTER PVC.		
1 PLACE	±---	±---	PMEECHAI	2006/07/18	24AWG STRANDED TOPCOATED				
			APPROVED BY	DATE	MOLEX INCORPORATED				
			SVIRATJAPOL	2006/07/18	MATERIAL NO.				
			ANGULAR ±---°		DOCUMENT NO.				
			DRAFT WHERE APPLICABLE MUST REMAIN WITHIN DIMENSIONS		SD-8997-001				
			SIZE A4		SHEET NO.				
			THIS DRAWING CONTAINS INFORMATION THAT IS PROPRIETARY TO MOLEX INCORPORATED AND SHOULD NOT BE USED WITHOUT WRITTEN PERMISSION		2 OF 3				

6 5 4 3 2 1

7 6 5 4 3 2 1

CHART A				
DIMENSIONS MM. (INCHES)				
ENGINEERING NO.	ORDER NO.	NO. OF CONDUCTOR	DIMENSION S	DIM. W (REF.)
8997-02-100B	82-24-5902	2	2.54±0.127(.100±.005)	5.08 (.200)
↑-03-↑	↑	3	5.08±0.20 (.200±.008)	7.62 (.300)
-04-		4	7.62±0.30 (.300±.012)	10.16 (.400)
-05-		5	10.16±0.33 (.400±.013)	12.70 (.500)
-06-		6	12.70±0.33 (.500±.013)	15.24 (.600)
-07-		7	15.24±0.33 (.600±.013)	17.78 (.700)
-08-		8	17.78±0.33 (.700±.013)	20.32 (.800)
-09-		9	20.32±0.33 (.800±.013)	22.86 (.900)
-10-		10	22.86±0.33 (.900±.013)	25.40 (1.000)
-11-		11	25.40±0.33 (1.000±.013)	27.94 (1.100)
-12-		12	27.94±0.33 (1.100±.013)	30.48 (1.200)
-13-		13	30.48±0.33 (1.200±.013)	33.02 (1.300)
-14-		14	33.02±0.33 (1.300±.013)	35.56 (1.400)
-15-		15	35.56±0.33 (1.400±.013)	38.10 (1.500)
-16-		16	38.10±0.33 (1.500±.013)	40.64 (1.600)
-17-		17	40.64±0.33 (1.600±.013)	43.18 (1.700)
-18-		18	43.18±0.33 (1.700±.013)	45.72 (1.800)
↓-19-↓	↓	19	45.72±0.33 (1.800±.013)	48.26 (1.900)
8997-20-100B	82-24-5920	20	48.26±0.33 (1.900±.013)	50.80 (2.000)

ENGINEERING NO.

8997-XX-XXXX

A B C D

A : CABLE 2.54mm. (100") CENTERS 24AWG STRANDED TOPCOATED

B : CONDUCTOR SIZE (AVAILABILITY 2 THROUGH 20)

C : CABLE LENGTH 100FT. (30.48M.)

D : A = INCHES

B = FEET

SEE CHANGE DETAIL EC NO: THL2011-0054 DRWN:CPANSAKHOM 2010/10/08 CHKD:PMEECHAI 2011/01/25 APPR:SVIRATJAPOL 2011/03/31 B1 REV	QUALITY SYMBOLS 	GENERAL TOLERANCES (UNLESS SPECIFIED)		DIMENSION STYLE MM/IN		SCALE NTS	DESIGN UNITS INCH	THIRD ANGLE PROJECTION		
			mm	INCH	DRAWN BY CPANSAKHOM	DATE 2006/07/18	TITLE	FCB ROUND CONDUCTOR 2.54MM(.100)CENTER PVC. 24AWG STRANDED TOPCOATED		
		4 PLACES	±---	±---	CHECKED BY PMEECHAI	DATE 2006/07/18	MOLEX INCORPORATED			
		3 PLACES	±---	±---	APPROVED BY SVIRATJAPOL	DATE 2006/07/18	MATERIAL NO.	DOCUMENT NO.	SHEET NO.	
DRAFT WHERE APPLICABLE MUST REMAIN WITHIN DIMENSIONS		SEE CHART		SD-8997-001		3 OF 3				
THIS DRAWING CONTAINS INFORMATION THAT IS PROPRIETARY TO MOLEX INCORPORATED AND SHOULD NOT BE USED WITHOUT WRITTEN PERMISSION										

lb_frame_A4_P_ME_T
Rev. E 2006/04/15

6 5 4 3 2 1