



## Excellent Integrated System Limited

Stocking Distributor

Click to view price, real time Inventory, Delivery & Lifecycle Information:

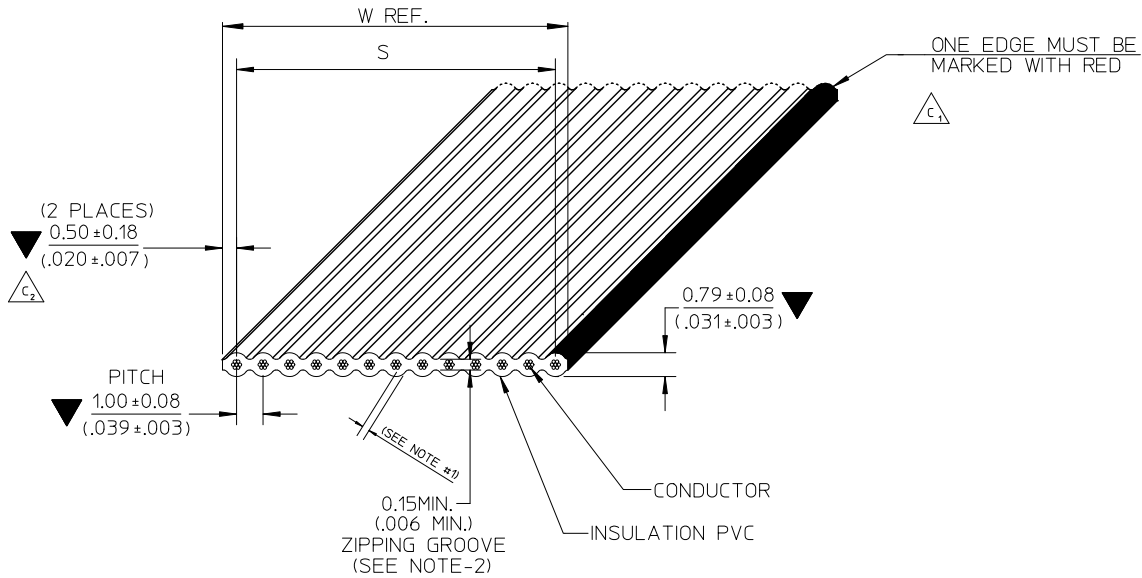
[Molex Connector Corporation](#)

[82-28-3024](#)

For any questions, you can email us directly:

[sales@integrated-circuit.com](mailto:sales@integrated-circuit.com)

7 6 5 4 3 2 1



- NOTE :**
1. THE CABLE SHALL HAVE A MINIMUM OF 0.178mm. (.007") THICKNESS INSULATION AT ANY POINT
  2. RIP TEST:
    - THE 0.15mm. (.006") ZIPPING GROOVE SHALL BE CAPABLE OF BEING RIPPED BY HAND WITHIN THE RECESS, WITHOUT EXPOSING THE ADJACENT CONDUCTORS
  3. RoHS AND LEAD FREE COMPLIANT
  4. SPECIAL REQUIREMENT: N/A

PRODUCT APPLICATION	
<input checked="" type="checkbox"/>	GENERAL USE
<input type="checkbox"/>	AUTOMOTIVE
<input type="checkbox"/>	MEDICAL DEVICE

<table border="1"> <tr> <td>C</td> <td>E-10-0371</td> <td>C<sub>3</sub> : ADD ELECTRICAL SPEC.</td> <td>2011/01/25</td> </tr> <tr> <td>B</td> <td>E-07-0748</td> <td>C<sub>2</sub> : CHANGE DIMENSION.</td> <td></td> </tr> <tr> <td>A</td> <td>N/A</td> <td>C<sub>1</sub> : REMOVE REELS MFG. IN NOG.</td> <td>2007/11/22</td> </tr> <tr> <td>REV.</td> <td>EC NO.</td> <td>NEW RELEASE.</td> <td>2006/07/10</td> </tr> <tr> <td>HISTORY</td> <td>EC NO.</td> <td>DETAIL</td> <td>DATE</td> </tr> </table>		C	E-10-0371	C <sub>3</sub> : ADD ELECTRICAL SPEC.	2011/01/25	B	E-07-0748	C <sub>2</sub> : CHANGE DIMENSION.		A	N/A	C <sub>1</sub> : REMOVE REELS MFG. IN NOG.	2007/11/22	REV.	EC NO.	NEW RELEASE.	2006/07/10	HISTORY	EC NO.	DETAIL	DATE	SEE CHANGE DETAIL. EC NO: THL2011-0054 DRWN: CPANSAKHOM 2010/11/15 CHKD: PMEECHAI 2011/01/25 APPR: SVIRAT JAPOL 2011/03/31	QUALITY SYMBOLS ▽=3 ▽=0	GENERAL TOLERANCES (UNLESS SPECIFIED) <table border="1"> <tr> <th></th> <th>mm</th> <th>INCH</th> </tr> <tr> <td>4 PLACES</td> <td>±---</td> <td>±---</td> </tr> <tr> <td>3 PLACES</td> <td>±---</td> <td>±---</td> </tr> <tr> <td>2 PLACES</td> <td>±---</td> <td>±---</td> </tr> <tr> <td>1 PLACE</td> <td>±---</td> <td>±---</td> </tr> <tr> <td>ANGULAR</td> <td>±---</td> <td>°</td> </tr> </table>		mm	INCH	4 PLACES	±---	±---	3 PLACES	±---	±---	2 PLACES	±---	±---	1 PLACE	±---	±---	ANGULAR	±---	°	DIMENSION STYLE MM/IN DRAWN BY CPANSAKHOM DATE 2006/07/10 CHECKED BY PMEECHAI DATE 2006/07/10 APPROVED BY SVIRAT JAPOL DATE 2006/07/10 MATERIAL NO. SEE CHART	SCALE NTS DESIGN UNITS INCH THIRD ANGLE PROJECTION	TITLE FCB ROUND CONDUCTOR 1.00MM(.039)CENTERS PVC. 28AWG STR TINNED MOLEX INCORPORATED DOCUMENT NO. SD-24500-001 SHEET NO. 1 OF 3
C	E-10-0371	C <sub>3</sub> : ADD ELECTRICAL SPEC.	2011/01/25																																										
B	E-07-0748	C <sub>2</sub> : CHANGE DIMENSION.																																											
A	N/A	C <sub>1</sub> : REMOVE REELS MFG. IN NOG.	2007/11/22																																										
REV.	EC NO.	NEW RELEASE.	2006/07/10																																										
HISTORY	EC NO.	DETAIL	DATE																																										
	mm	INCH																																											
4 PLACES	±---	±---																																											
3 PLACES	±---	±---																																											
2 PLACES	±---	±---																																											
1 PLACE	±---	±---																																											
ANGULAR	±---	°																																											
DRAFT WHERE APPLICABLE MUST REMAIN WITHIN DIMENSIONS				THIS DRAWING CONTAINS INFORMATION THAT IS PROPRIETARY TO MOLEX INCORPORATED AND SHOULD NOT BE USED WITHOUT WRITTEN PERMISSION																																									

tb\_frame\_A4\_P\_ME\_T  
Rev. E 2006/04/15

6 5 4 3 2 1

7 6 5 4 3 2 1

SPECIFICATIONS

PHYSICAL

CONDUCTOR SPACING ----- 1.00(.039")  $\phi$  TO  $\phi$   
 WIRE GAUGE ----- 28 AWG(7/36) STRANDED TINNED  
 INSULATION ----- P.V.C GRAY (LEAD FREE)

AGENCY

U.L. STYLE NO. ----- 2651  
 TEMPERATURE RATING ----- -20°C TO 105°C  
 VOLTAGE RATING ----- 300V.MAX.  
 FLAMMABILITY RATING ----- VW-1

ELECTRICAL



CONDUCTOR RESISTANCE (D.C.) ----- 68 m OHMS/FT. MAX.  
 CHARACTERISTIC IMPEDANCE ----- 112 OHMS NOM. (GS)  
 83 OHMS NOM. (GSG)  
 CAPACITANCE ----- 11.8 pF/FT. NOM. (GS)  
 18.3 pF/FT. NOM. (GSG)  
 PROPAGATION DELAY ----- 1.4 ns/FT. NOM.  
 INSULATION RESISTANCE ----- 10M OHMS (10FT. SAMPLE)  
 DIELECTRIC WITHSTAND VOLTAGE ----- 1500 VRMS/MINUTE

GENERAL

NON-OPERATING TEMPERATURE ----- -20°C TO 105°C  
 FAULTS AND/OR SPLICES ----- 1/REEL MAX. 100<sup>+3</sup><sub>-0</sub> FT. (30.48<sup>+0.914</sup><sub>-0</sub> M.)/REEL  
 20FT. (6.096M.) MIN. LENGTH

SEE CHANGE DETAIL: EIC NO: THL2011-0054 DRWNG:CPANSAKHOM 2010/11/15 CHKD:PMEECHAI 2011/01/25 APPR:SVIRATJAPOL 2011/03/31	QUALITY SYMBOLS 	GENERAL TOLERANCES (UNLESS SPECIFIED)		DIMENSION STYLE	SCALE	DESIGN UNITS	THIRD ANGLE PROJECTION		
				MM/IN	NTS	INCH			
		4 PLACES	± ---	± ---	DRAWN BY	DATE		TITLE	
		3 PLACES	± ---	± ---	CPANSAKHOM	2006/07/10		FCB ROUND CONDUCTOR 1.00MM(.039)CENTERS PVC. 28AWG STR TINNED	
			2 PLACES	± ---	± ---	CHECKED BY	DATE	MOLEX INCORPORATED	
			1 PLACE	± ---	± ---	PMEECHAI	2006/07/10	SD-24500-001	
			ANGULAR ± --- °		APPROVED BY	DATE	DOCUMENT NO.		SHEET NO.
			DRAFT WHERE APPLICABLE MUST REMAIN WITHIN DIMENSIONS		SVIRATJAPOL	2006/07/10	SD-24500-001		2 OF 3
					MATERIAL NO.			THIS DRAWING CONTAINS INFORMATION THAT IS PROPRIETARY TO MOLEX INCORPORATED AND SHOULD NOT BE USED WITHOUT WRITTEN PERMISSION	
					SIZE				
					A4				

6 5 4 3 2 1

7	6	5	4	3	2	1
---	---	---	---	---	---	---

CHART A				
DIMENSIONS MM. (INCHES)				
ENGINEERING NO.	ORDER NO.	NO. OF CONDUCTOR	DIMENSION S	DIM. W (REF.)
24500-10-100B	82-28-3010	10	9.00±0.18 (.354±.007)	10.00 (.394)
↑ -20- ↑	↑	20	19.00±0.23 (.748±.009)	20.00 (.787)
-24-		24	23.00±0.23 (.906±.009)	24.00 (.945)
-26-		26	25.00±0.23 (.984±.009)	26.00 (1.024)
-30-		30	29.00±0.28 (1.142±.011)	30.00 (1.181)
-34-		34	33.00±0.28 (1.299±.011)	34.00 (1.339)
-40-		40	39.00±0.28 (1.535±.011)	40.00 (1.575)
-44- ↓	↓	44	43.00±0.28 (1.693±.011)	44.00 (1.732)
24500-50-100B	82-28-3050	50	49.00±0.28 (1.929±.011)	50.00 (1.969)

ENGINEERING NO.

24500-XX-XXXX  
 A B C D

- A : CABLE 1.00mm. (.039") CENTERS 28AWG STRANDED TINNED
- B : CONDUCTOR SIZE ( AVAILABILITY 10,20,24,26,30,34,40,44 AND 50 )
- C : CABLE LENGTH 100FT. (30.48M)
- D : A = INCHES  
 B = FEET

SEE CHANGE DETAIL. EC NO: THL2011-0054 DRWN: CPANSAKHOM 2010/11/15 CHKD: PMEECHAI 2011/01/25 APPR: SVIRAT JAPOL 2011/03/31	QUALITY SYMBOLS 	GENERAL TOLERANCES (UNLESS SPECIFIED)		DIMENSION STYLE MM/IN		SCALE NTS	DESIGN UNITS INCH	THIRD ANGLE PROJECTION	
			mm	INCH	DRAWN BY CPANSAKHOM	DATE 2006/07/10	TITLE FCB ROUND CONDUCTOR 1.00MM(.039)CENTERS PVC. 28AWG STR TINNED	Molex MOLEX INCORPORATED	SHEET NO. 3 OF 3
		4 PLACES	± ---	± ---	CHECKED BY PMEECHAI	DATE 2006/07/10			
		3 PLACES	± ---	± ---	APPROVED BY SVIRAT JAPOL	DATE 2006/07/10			
2 PLACES	± ---	± ---	MATERIAL NO. SEE CHART	DOCUMENT NO. SD-24500-001					
1 PLACE	± ---	± ---	ANGULAR ± ---°	DRAFT WHERE APPLICABLE MUST REMAIN WITHIN DIMENSIONS		THIS DRAWING CONTAINS INFORMATION THAT IS PROPRIETARY TO MOLEX INCORPORATED AND SHOULD NOT BE USED WITHOUT WRITTEN PERMISSION			

6	5	4	3	2	1
---	---	---	---	---	---