

## **Excellent Integrated System Limited**

Stocking Distributor

Click to view price, real time Inventory, Delivery & Lifecycle Information:

[Omron Automation & Safety](#)  
[44510-1063](#)

For any questions, you can email us directly:

[sales@integrated-circuit.com](mailto:sales@integrated-circuit.com)

# SR106ED



Conforms to EN60204-1, EN954-1, VDE 0113-1  
 UL and C-UL listed, BG approved



H

safety monitoring relays

# SR106ED

## Safety Expansion Unit

- Power requirements—the SR106ED will accept 24 VAC/DC, 115 VAC or 230 VAC
- Outputs—the SR106ED has 3 N/O delayed outputs to route power to the coils of power contactors (delay selectable from 1 to 30 sec.)
- Auxiliary Output—the SR106ED has 1 N/C auxiliary for monitoring by the safety monitoring relay
- PLC Compatible—The N/O off delayed output makes it possible to use the SR106ED on machines with Programmable Logic Controllers that require some time to execute an orderly shutdown.

**A** Go to the Engineering Guide  
 For in-depth information on safety standards and use.



**USA** Tel. 1/888/510-4357  
**Canada** Tel. 1/800/221-7060

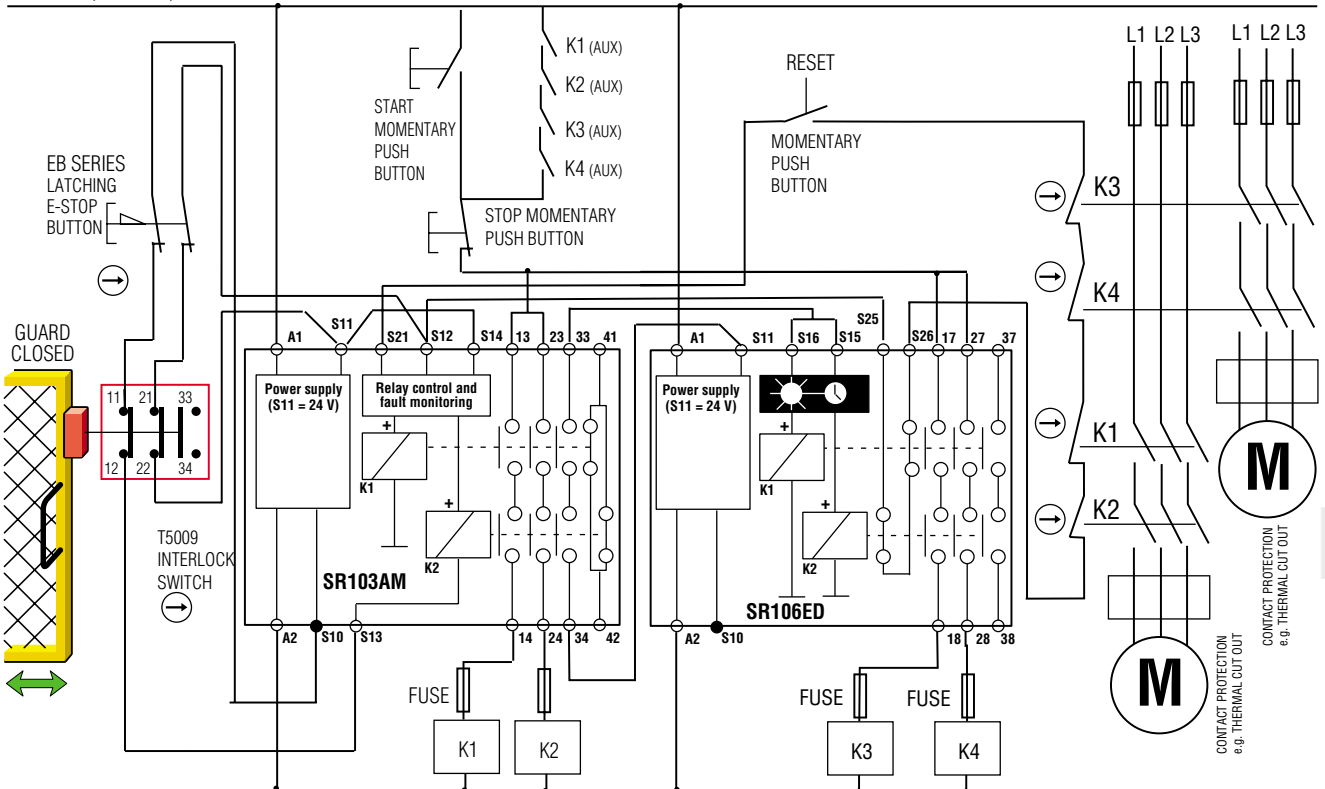
**UK** Tel. +44 (0) 1395-273-209  
**Europe** Tel. +49 (0) 5258-938-776

**Japan** Tel. +81-466-22-1132  
**China** Tel. +86-21-5836-7708  
**Singapore** Tel. +65-648-44-001

For the Latest Information  
 On the Internet: [www.sti.com](http://www.sti.com)  
 E-mail: [sales@sti.com](mailto:sales@sti.com)

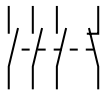
■ **Application**

24VAC/DC, 110VAC, 230VAC



safety monitoring relays

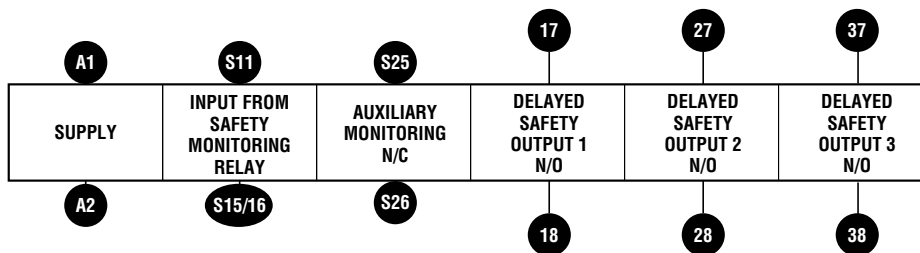
**Output Contact Arrangements**



**Terminal Pin Assignments**

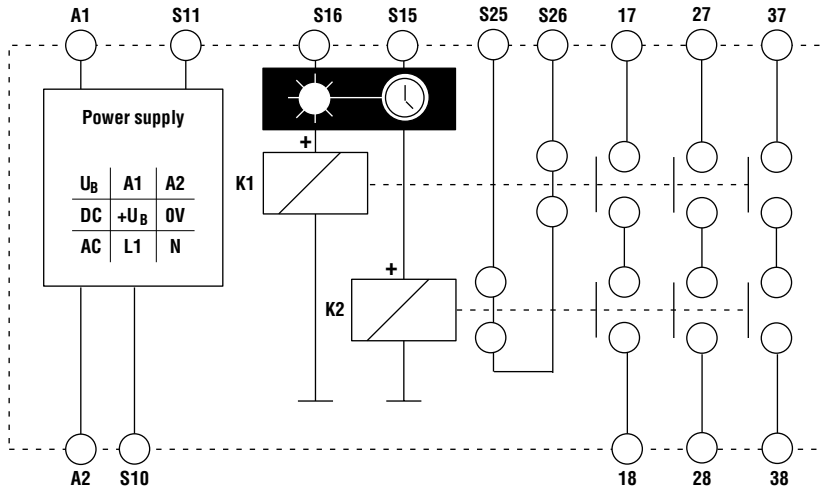
18	⊗	⊗	S25	A1	⊗	⊗	17
28	⊗	⊗	S26	S11	⊗	⊗	27
38	⊗	⊗	S10	S15	⊗	⊗	37
	⊗	⊗	A2	S16	⊗	⊗	

**Terminal Connections**



# SR106ED

## ■ Block Diagram

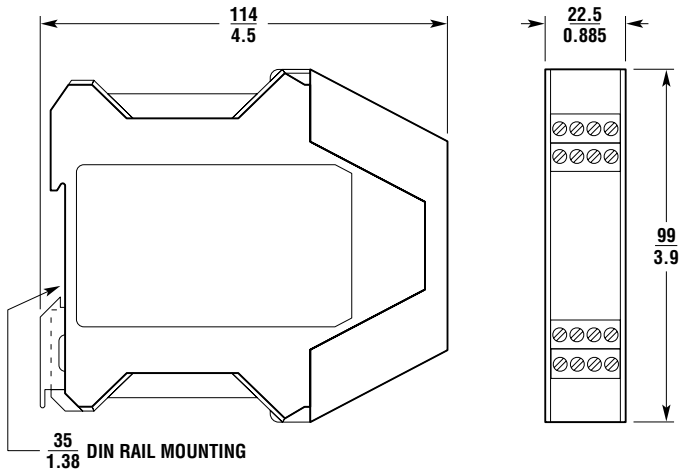


## H

safety monitoring relays

## ■ Dimensions — mm/in.

SR106ED



**A** Go to the Engineering Guide  
 For in-depth information on safety standards and use.

## ■ Specifications

Electrical	All Models	SR106ED01	SR106ED02	SR106ED03
<b>Power Supply:</b>	±10%, 50-60 Hz	24 VAC/DC	115 VAC	230 VAC
<b>Power Consumption:</b>	Approx. 1 VA			
<b>Outputs:</b>	3 N/O timer delayed (1 to 30 sec.)			
<b>Auxiliary Outputs:</b>	1 N/C for monitoring by safety monitoring relay			
<b>Output Rating AC:</b>	Inductive AC-15, 4 A/230 V			
<b>Output Rating DC:</b>	Inductive DC-13, 2 A/24 V			
<b>Min Switched Current/Voltage:</b>	20 mA/24 V			
<b>Impulse Withstand Voltage:</b>	2500 V			
<b>Max Drop-Out Time:</b>	Equal to delay timer setting (75 ms by removing supply voltage)			
<b>Max Output Fuse:</b>	6 A quick-acting or 4 A slow-acting			
<b>Mechanical</b>				
<b>Mounting:</b>	35 mm (1.38 in.) DIN rail			
<b>Case Material:</b>	Fiber-filled Polyamide PA6.6			
<b>Max Wire Size:</b>	1 x 2.5 mm <sup>2</sup> (14 AWG) stranded			
<b>Weight:</b>	230 g (8.1 oz.)			
<b>Color:</b>	Red			
<b>External Switches:</b>	Timer delay setting (1 to 30 sec.)			
<b>Indication:</b>	Green = K1 Closed, Green = K2 Closed			
<b>Mechanical Life:</b>	1 x 10 <sup>7</sup> operations			
<b>Environmental</b>				
<b>Enclosure Protection:</b>	IP20 terminals, IP40 (NEMA 1 housing)			
<b>Operating Temperature:</b>	24 VAC/DC: -15 to 60°C (5 to 140°F) 115/230 VAC: -15 to 40°C (5 to 104°F)			
<b>Humidity:</b>	93% RH at 40°C (104°F)			
<b>Compliance</b>				
<b>Standards:</b>	EN 60204-1, EN 954-1, VDE 0113-1			
<b>Approvals/Listings:</b>	CE marked for all applicable directives, BG, UL and C-UL			
<b>Safety Category:</b>	Cat. 3 per EN954-1 (SR106 internal operation)			

Specifications are subject to change without notice.

Note: The safety contacts of the STI switches are described as normally closed (N/C)—i.e., with the guard closed, actuator in place, and the machine able to be started.

## ■ Ordering

Model	Supply	Outputs	Auxiliary	Part No.
SR106ED01	24 VAC/DC	3 N/O off delayed	1 N/C	44510-1061
SR106ED02	115 VAC	3 N/O off delayed	1 N/C	44510-1062
SR106ED03	230 VAC*	3 N/O off delayed	1 N/C	44510-1063

\*230 VAC units are available on special order. Minimum quantities may apply.