



Distributor of Molex Connector Corporation: Excellent Integrated System Limited
Datasheet of 0387304805 - Connector Barrier Block Strip 5 Circuit 0.438" (11.12mm)

Contact us: sales@integrated-circuit.com Website: www.integrated-circuit.com

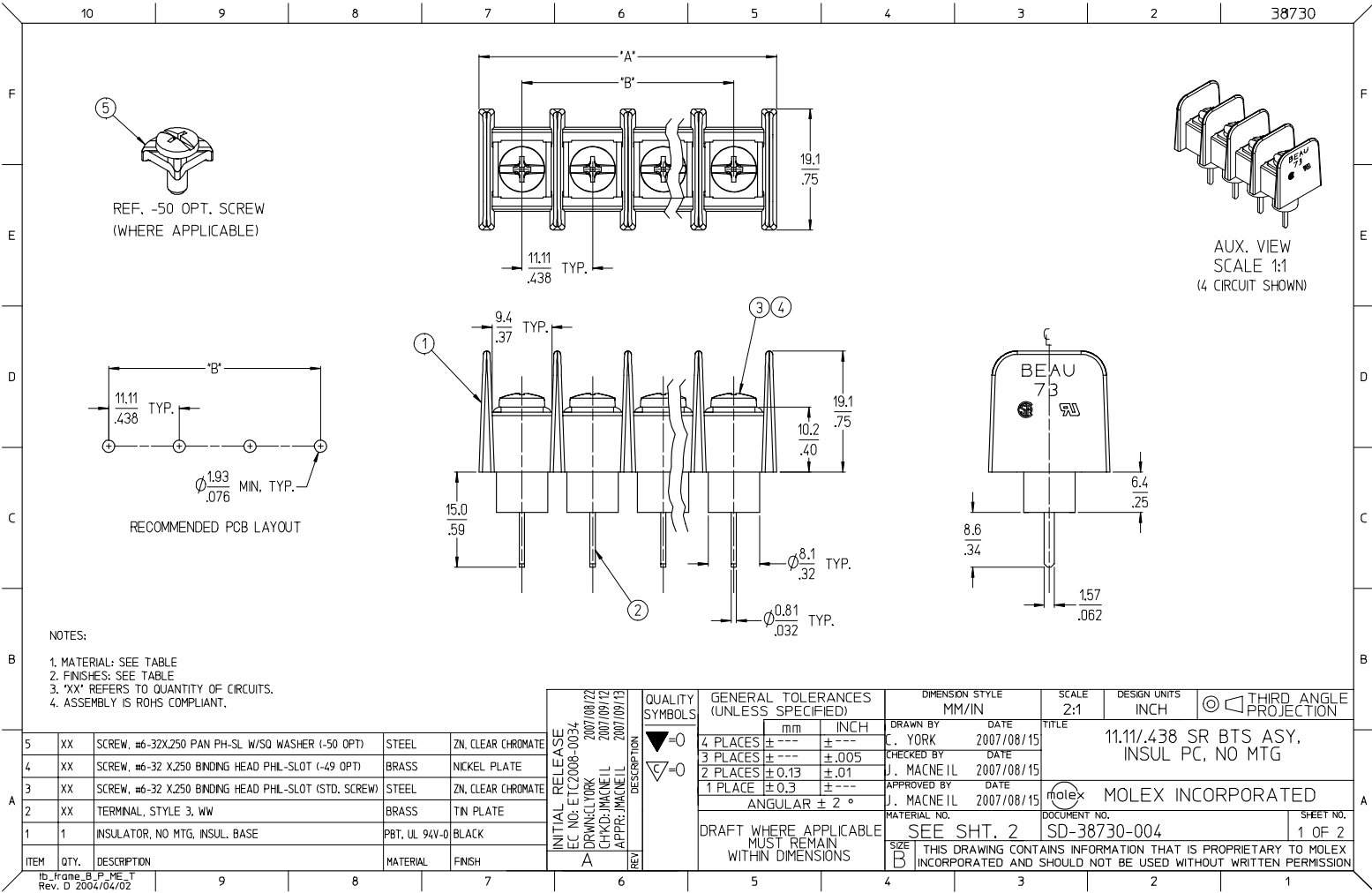
Excellent Integrated System Limited

Stocking Distributor

Click to view price, real time Inventory, Delivery & Lifecycle Information:

[Molex Connector Corporation](#)
[0387304805](#)

For any questions, you can email us directly:
sales@integrated-circuit.com



- NOTES:
1. MATERIAL: SEE TABLE
 2. FINISHES: SEE TABLE
 3. "XX" REFERS TO QUANTITY OF CIRCUITS.
 4. ASSEMBLY IS ROHS COMPLIANT.

| ITEM | QTY. | DESCRIPTION | MATERIAL | FINISH | INITIAL RELEASE | QUALITY SYMBOLS | GENERAL TOLERANCES (UNLESS SPECIFIED) | | DIMENSION STYLE | SCALE | DESIGN UNITS | THIRD ANGLE PROJECTION |
|--|------|--|---------------|--------------------|--|-----------------|---------------------------------------|-----------------------|-------------------------|---------------------------|---|------------------------|
| | | | | | | | mm | INCH | MM/IN | 2:1 | INCH | |
| 5 | XX | SCREW, #6-32X.250 PAN PH-SL. W/SQ WASHER (-50 OPT) | STEEL | ZN, CLEAR CHROMATE | INITIAL RELEASE EC NO: ETC2008-0034 DRAWN BY: C. YORK 2007/08/15 CHECKED BY: J. MACNEIL 2007/08/15 APPR: J. MACNEIL 2007/08/15 | ▽=0 ▽=0 | 4 PLACES ± .005 ± .005 | 3 PLACES ± .013 ± .01 | DRAWN BY: C. YORK | DATE: 2007/08/15 | TITLE: 11.11/.438 SR BTS ASY, INSUL PC, NO MTG | |
| 4 | XX | SCREW, #6-32 X.250 BINDING HEAD PHIL-SLOT (-49 OPT) | BRASS | NICKEL PLATE | | | 2 PLACES ± 0.13 ± .01 | 1 PLACE ± 0.3 ± .01 | CHECKED BY: J. MACNEIL | DATE: 2007/08/15 | | |
| 3 | XX | SCREW, #6-32 X.250 BINDING HEAD PHIL-SLOT (STD. SCREW) | STEEL | ZN, CLEAR CHROMATE | | | ANGULAR ± 2 ° | | APPROVED BY: J. MACNEIL | DATE: 2007/08/15 | | |
| 2 | XX | TERMINAL, STYLE 3, WW | BRASS | TIN PLATE | | | | | | | | |
| 1 | 1 | INSULATOR, NO MTG, INSUL. BASE | PBT, UL 94V-0 | BLACK | | | | | | | | |
| DRAFT WHERE APPLICABLE MUST REMAIN WITHIN DIMENSIONS | | | | | | | | | | | | |
| MATERIAL NO. SEE SHT. 2 | | | | | | | | | | DOCUMENT NO. SD-38730-004 | | SHEET NO. 1 OF 2 |

