



**Distributor of Molex Connector Corporation: Excellent Integrated System Limited**  
Datasheet of 0387318903 - Connector Barrier Block Strip 3 Circuit 0.438" (11.12mm)

Contact us: [sales@integrated-circuit.com](mailto:sales@integrated-circuit.com) Website: [www.integrated-circuit.com](http://www.integrated-circuit.com)

---

## **Excellent Integrated System Limited**

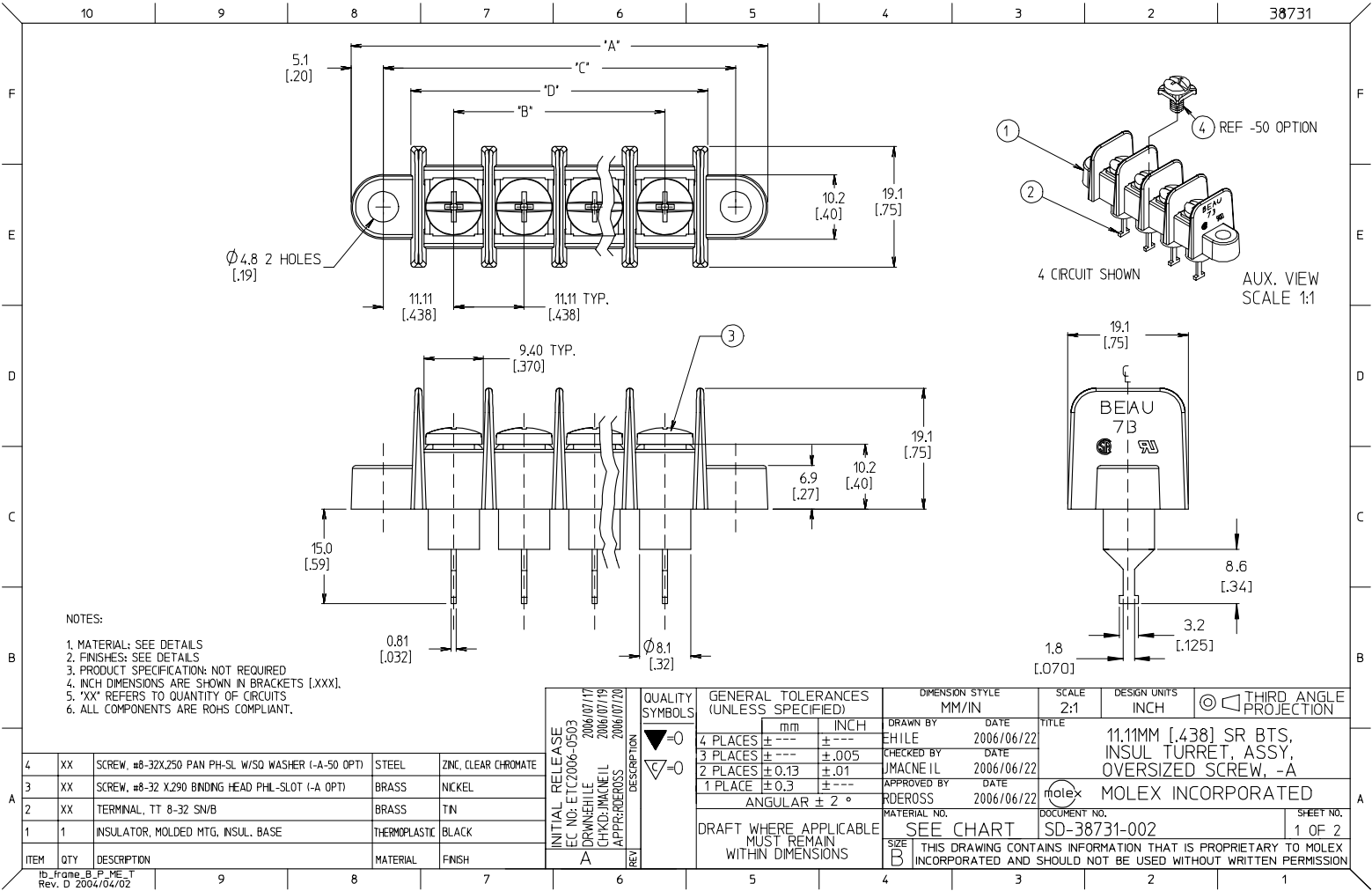
Stocking Distributor

Click to view price, real time Inventory, Delivery & Lifecycle Information:

[Molex Connector Corporation](#)  
[0387318903](#)

For any questions, you can email us directly:

[sales@integrated-circuit.com](mailto:sales@integrated-circuit.com)



10 9 8 7 6 5 4 3 2 38731

| NO. OF CIRCUITS "XX" | DIM. "A" |       | DIM. "B" |        | DIM. "C" |        | DIM. "D" |       | ASSEMBLY MATERIAL NO. (-A OPTION) | ASSEMBLY MATERIAL NO. (-A-50 OPTION) |
|----------------------|----------|-------|----------|--------|----------|--------|----------|-------|-----------------------------------|--------------------------------------|
|                      | mm       | INCH  | mm       | INCH   | mm       | INCH   | mm       | INCH  |                                   |                                      |
| 02                   | 43.5     | 1.71  | 11.11    | 0.438  | 33.34    | 1.313  | 24.5     | 0.97  | 387318902                         | 387319102                            |
| 03                   | 54.6     | 2.15  | 22.23    | 0.875  | 44.45    | 1.750  | 35.7     | 1.40  | 387318903                         | 387319103                            |
| 04                   | 65.7     | 2.59  | 33.34    | 1.313  | 55.56    | 2.188  | 46.8     | 1.84  | 387318904                         | 387319104                            |
| 05                   | 76.8     | 3.03  | 44.45    | 1.750  | 66.68    | 2.625  | 57.9     | 2.28  | 387318905                         | 387319105                            |
| 06                   | 87.9     | 3.46  | 55.56    | 2.188  | 77.79    | 3.063  | 69.0     | 2.72  | 387318906                         | 387319106                            |
| 07                   | 99.1     | 3.90  | 66.68    | 2.625  | 88.90    | 3.500  | 80.1     | 3.15  | 387318907                         | 387319107                            |
| 08                   | 110.2    | 4.34  | 77.79    | 3.063  | 100.01   | 3.938  | 91.2     | 3.59  | 387318908                         | 387319108                            |
| 09                   | 121.3    | 4.78  | 88.90    | 3.500  | 111.13   | 4.375  | 102.3    | 4.03  | 387318909                         | 387319109                            |
| 10                   | 132.4    | 5.21  | 100.01   | 3.938  | 122.24   | 4.813  | 113.4    | 4.47  | 387318910                         | 387319110                            |
| 11                   | 143.5    | 5.65  | 111.13   | 4.375  | 133.35   | 5.250  | 124.6    | 4.90  | 387318911                         | 387319111                            |
| 12                   | 154.6    | 6.09  | 122.24   | 4.813  | 144.46   | 5.688  | 135.7    | 5.34  | 387318912                         | 387319112                            |
| 13                   | 165.7    | 6.53  | 133.35   | 5.250  | 155.58   | 6.125  | 146.8    | 5.78  | 387318913                         | 387319113                            |
| 14                   | 176.8    | 6.96  | 144.46   | 5.688  | 166.69   | 6.563  | 157.9    | 6.22  | 387318914                         | 387319114                            |
| 15                   | 188.0    | 7.40  | 155.58   | 6.125  | 177.80   | 7.000  | 169.0    | 6.66  | 387318915                         | 387319115                            |
| 16                   | 199.1    | 7.84  | 166.69   | 6.563  | 188.91   | 7.438  | 180.1    | 7.09  | 387318916                         | 387319116                            |
| 17                   | 210.2    | 8.28  | 177.80   | 7.000  | 200.03   | 7.875  | 191.2    | 7.53  | 387318917                         | 387319117                            |
| 18                   | 221.3    | 8.71  | 188.91   | 7.438  | 211.14   | 8.313  | 202.3    | 7.97  | 387318918                         | 387319118                            |
| 19                   | 232.4    | 9.15  | 200.03   | 7.875  | 222.25   | 8.750  | 213.5    | 8.40  | 387318919                         | 387319119                            |
| 20                   | 243.5    | 9.59  | 211.14   | 8.313  | 233.36   | 9.188  | 224.6    | 8.84  | 387318920                         | 387319120                            |
| 21                   | 254.6    | 10.03 | 222.25   | 8.750  | 244.48   | 9.625  | 235.7    | 9.28  | 387318921                         | 387319121                            |
| 22                   | 265.7    | 10.46 | 233.36   | 9.188  | 255.59   | 10.063 | 246.8    | 9.72  | 387318922                         | 387319122                            |
| 23                   | 276.8    | 10.90 | 244.48   | 9.625  | 266.70   | 10.500 | 257.9    | 10.15 | 387318923                         | 387319123                            |
| 24                   | 288.0    | 11.34 | 255.59   | 10.063 | 277.81   | 10.938 | 269.0    | 10.59 | 387318924                         | 387319124                            |
| 25                   | 299.1    | 11.78 | 266.70   | 10.500 | 288.93   | 11.375 | 280.1    | 11.03 | 387318925                         | 387319125                            |
| 26                   | 310.2    | 12.21 | 277.81   | 10.938 | 300.04   | 11.813 | 291.2    | 11.47 | 387318926                         | 387319126                            |
| 27                   | 321.3    | 12.65 | 288.93   | 11.375 | 311.15   | 12.250 | 302.4    | 11.90 | 387318927                         | 387319127                            |
| 28                   | 332.4    | 13.09 | 300.04   | 11.813 | 322.26   | 12.688 | 313.5    | 12.34 | 387318928                         | 387319128                            |
| 29                   | 343.5    | 13.53 | 311.15   | 12.250 | 333.38   | 13.125 | 324.6    | 12.78 | 387318929                         | 387319129                            |
| 30                   | 354.6    | 13.96 | 322.26   | 12.688 | 344.49   | 13.563 | 335.7    | 13.22 | 387318930                         | 387319130                            |

|  |                               |  |                     |                      |   |                    |                        |  |
|--|-------------------------------|--|---------------------|----------------------|---|--------------------|------------------------|--|
| INITIAL RELEASE<br>EC NO: ETC2006-0503<br>DRAWN BY: EHILE<br>2006/07/17<br>CHECKED: JMACNEIL<br>2006/07/19<br>APPROVED BY: RDEROSS<br>2006/07/20 | QUALITY SYMBOLS<br>▽=0<br>▽=0 | GENERAL TOLERANCES (UNLESS SPECIFIED)                |                     | DIMENSION STYLE      | SCALE   | DESIGN UNITS       | THIRD ANGLE PROJECTION |  |
|  |                               |  |                     | MM/IN                | 2:1   | INCH               |                        |  |
|  |                               |  |                     | mm                   | INCH  | DRAWN BY           | DATE                   | TITLE  |
|  |                               |  |                     | 4 PLACES ± --- ± --- | 3 PLACES ± --- ± .005   | EHILE              | 2006/06/22             | 11.11MM [.438] SR BTS, INSUL TURRET, ASSY, OVERSIZED SCREW, -A |
|  |                               | 2 PLACES ± 0.13 ± .01                                | 1 PLACE ± 0.3 ± --- | JMACNEIL             | 2006/06/22  | MOLEX INCORPORATED |                        |  |
|  |                               | ANGULAR ± 2 °  |                     | APPROVED BY          | DATE  | MATERIAL NO.       | DOCUMENT NO.           |  |
|  |                               |  |                     | RDEROSS              | 2006/06/22  | SEE CHART          | SD-38731-002           |  |
|  |                               | DRAFT WHERE APPLICABLE MUST REMAIN WITHIN DIMENSIONS |                     | SIZE                 | THIS DRAWING CONTAINS INFORMATION THAT IS PROPRIETARY TO MOLEX INCORPORATED AND SHOULD NOT BE USED WITHOUT WRITTEN PERMISSION |                    |                        |  |
|  |                               |  |                     | B                    | SHEET NO. 2 OF 2  |                    |                        |  |

9 8 7 6 5 4 3 2 1