



Distributor of Molex Connector Corporation: Excellent Integrated System Limited
Datasheet of 0387318907 - Connector Barrier Block Strip 7 Circuit 0.438" (11.12mm)

Contact us: sales@integrated-circuit.com Website: www.integrated-circuit.com

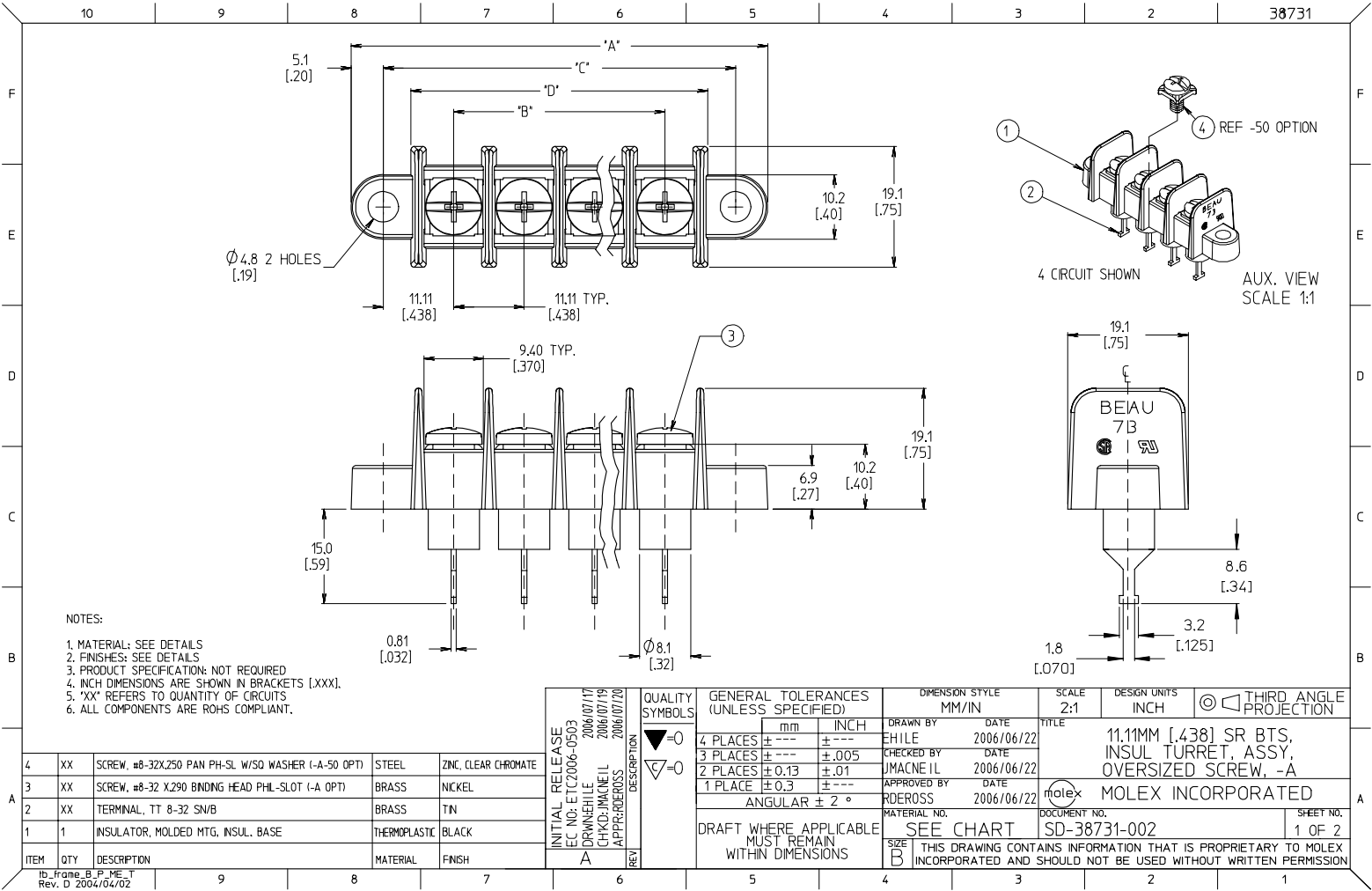
Excellent Integrated System Limited

Stocking Distributor

Click to view price, real time Inventory, Delivery & Lifecycle Information:

[Molex Connector Corporation](#)
[0387318907](#)

For any questions, you can email us directly:
sales@integrated-circuit.com



NOTES:
 1. MATERIAL: SEE DETAILS
 2. FINISHES: SEE DETAILS
 3. PRODUCT SPECIFICATION: NOT REQUIRED
 4. INCH DIMENSIONS ARE SHOWN IN BRACKETS [XXX].
 5. 'XX' REFERS TO QUANTITY OF CIRCUITS
 6. ALL COMPONENTS ARE ROHS COMPLIANT.

ITEM	QTY	DESCRIPTION	MATERIAL	FINISH
4	XX	SCREW, #8-32X.250 PAN PH-SL W/SO WASHER (-A-50 OPT)	STEEL	ZINC, CLEAR CHROMATE
3	XX	SCREW, #8-32 X.290 BINDING HEAD PHL-SLOT (-A OPT)	BRASS	NICKEL
2	XX	TERMINAL, TT 8-32 SN/B	BRASS	TIN
1	1	INSULATOR, MOLDED MTG, INSUL. BASE	THERMOPLASTIC	BLACK

INITIAL RELEASE EC NO: ETC2006-0503 DROWNHILLE 2006/07/17 CHYKD-JMACNEIL 2006/07/19 APPROVED ROERROSS 2006/07/20 A REV	QUALITY SYMBOLS	GENERAL TOLERANCES (UNLESS SPECIFIED)	DIMENSION STYLE	SCALE	DESIGN UNITS	THIRD ANGLE PROJECTION																										
	$\nabla=0$ $\sphericalangle=0$	<table border="1"> <thead> <tr> <th></th> <th>mm</th> <th>INCH</th> </tr> </thead> <tbody> <tr> <td>4 PLACES</td> <td>±---</td> <td>±---</td> </tr> <tr> <td>3 PLACES</td> <td>±---</td> <td>±.005</td> </tr> <tr> <td>2 PLACES</td> <td>±0.13</td> <td>±.01</td> </tr> <tr> <td>1 PLACE</td> <td>±0.3</td> <td>±---</td> </tr> <tr> <td colspan="3">ANGULAR ± 2°</td> </tr> </tbody> </table>		mm	INCH	4 PLACES	±---	±---	3 PLACES	±---	±.005	2 PLACES	±0.13	±.01	1 PLACE	±0.3	±---	ANGULAR ± 2°			<table border="1"> <thead> <tr> <th>MM/IN</th> <th>DATE</th> </tr> </thead> <tbody> <tr> <td>DRAWN BY</td> <td>2006/06/22</td> </tr> <tr> <td>CHECKED BY</td> <td>2006/06/22</td> </tr> <tr> <td>APPROVED BY</td> <td>2006/06/22</td> </tr> </tbody> </table>	MM/IN	DATE	DRAWN BY	2006/06/22	CHECKED BY	2006/06/22	APPROVED BY	2006/06/22	2:1	INCH	
		mm	INCH																													
	4 PLACES	±---	±---																													
3 PLACES	±---	±.005																														
2 PLACES	±0.13	±.01																														
1 PLACE	±0.3	±---																														
ANGULAR ± 2°																																
MM/IN	DATE																															
DRAWN BY	2006/06/22																															
CHECKED BY	2006/06/22																															
APPROVED BY	2006/06/22																															
DRAFT WHERE APPLICABLE MUST REMAIN WITHIN DIMENSIONS		SEE CHART	MATERIAL NO.	DOCUMENT NO.	SHEET NO.																											
			B	SD-38731-002	1 OF 2																											

11.11MM [.438] SR BTS, INSUL TURRET, ASSY, OVERSIZED SCREW, -A
 MOLEX INCORPORATED

10 9 8 7 6 5 4 3 2 38731

NO. OF CIRCUITS "XX"	DIM. "A"		DIM. "B"		DIM. "C"		DIM. "D"		ASSEMBLY MATERIAL NO. (-A OPTION)	ASSEMBLY MATERIAL NO. (-A-50 OPTION)
	mm	INCH	mm	INCH	mm	INCH	mm	INCH		
02	43.5	1.71	11.11	0.438	33.34	1.313	24.5	0.97	387318902	387319102
03	54.6	2.15	22.23	0.875	44.45	1.750	35.7	1.40	387318903	387319103
04	65.7	2.59	33.34	1.313	55.56	2.188	46.8	1.84	387318904	387319104
05	76.8	3.03	44.45	1.750	66.68	2.625	57.9	2.28	387318905	387319105
06	87.9	3.46	55.56	2.188	77.79	3.063	69.0	2.72	387318906	387319106
07	99.1	3.90	66.68	2.625	88.90	3.500	80.1	3.15	387318907	387319107
08	110.2	4.34	77.79	3.063	100.01	3.938	91.2	3.59	387318908	387319108
09	121.3	4.78	88.90	3.500	111.13	4.375	102.3	4.03	387318909	387319109
10	132.4	5.21	100.01	3.938	122.24	4.813	113.4	4.47	387318910	387319110
11	143.5	5.65	111.13	4.375	133.35	5.250	124.6	4.90	387318911	387319111
12	154.6	6.09	122.24	4.813	144.46	5.688	135.7	5.34	387318912	387319112
13	165.7	6.53	133.35	5.250	155.58	6.125	146.8	5.78	387318913	387319113
14	176.8	6.96	144.46	5.688	166.69	6.563	157.9	6.22	387318914	387319114
15	188.0	7.40	155.58	6.125	177.80	7.000	169.0	6.66	387318915	387319115
16	199.1	7.84	166.69	6.563	188.91	7.438	180.1	7.09	387318916	387319116
17	210.2	8.28	177.80	7.000	200.03	7.875	191.2	7.53	387318917	387319117
18	221.3	8.71	188.91	7.438	211.14	8.313	202.3	7.97	387318918	387319118
19	232.4	9.15	200.03	7.875	222.25	8.750	213.5	8.40	387318919	387319119
20	243.5	9.59	211.14	8.313	233.36	9.188	224.6	8.84	387318920	387319120
21	254.6	10.03	222.25	8.750	244.48	9.625	235.7	9.28	387318921	387319121
22	265.7	10.46	233.36	9.188	255.59	10.063	246.8	9.72	387318922	387319122
23	276.8	10.90	244.48	9.625	266.70	10.500	257.9	10.15	387318923	387319123
24	288.0	11.34	255.59	10.063	277.81	10.938	269.0	10.59	387318924	387319124
25	299.1	11.78	266.70	10.500	288.93	11.375	280.1	11.03	387318925	387319125
26	310.2	12.21	277.81	10.938	300.04	11.813	291.2	11.47	387318926	387319126
27	321.3	12.65	288.93	11.375	311.15	12.250	302.4	11.90	387318927	387319127
28	332.4	13.09	300.04	11.813	322.26	12.688	313.5	12.34	387318928	387319128
29	343.5	13.53	311.15	12.250	333.38	13.125	324.6	12.78	387318929	387319129
30	354.6	13.96	322.26	12.688	344.49	13.563	335.7	13.22	387318930	387319130

INITIAL RELEASE EC NO: ETC2006-0503 DRAWN BY: EHILE CHECKED: JMACNEIL APPROVED BY: RDEROSS	QUALITY SYMBOLS ▽=0 ▽=0	GENERAL TOLERANCES (UNLESS SPECIFIED)		DIMENSION STYLE	SCALE	DESIGN UNITS	THIRD ANGLE PROJECTION	
		mm	INCH	MM/IN	2:1	INCH		
		4 PLACES ± ---	± ---	DRAWN BY	DATE	TITLE		
		3 PLACES ± ---	± .005	EHILE	2006/06/22	11.11MM [.438] SR BTS, INSUL TURRET, ASSY, OVERSIZED SCREW, -A		
2 PLACES ± 0.13	± .01	CHECKED BY	DATE	MOLEX INCORPORATED				
1 PLACE ± 0.3	± ---	JMACNEIL	2006/06/22	MATERIAL NO. DOCUMENT NO. SHEET NO.				
ANGULAR ± 2 °		APPROVED BY	DATE	SD-38731-002 2 OF 2				
		RDEROSS	2006/06/22	THIS DRAWING CONTAINS INFORMATION THAT IS PROPRIETARY TO MOLEX INCORPORATED AND SHOULD NOT BE USED WITHOUT WRITTEN PERMISSION				
		DRAFT WHERE APPLICABLE MUST REMAIN WITHIN DIMENSIONS		SIZE				
				B				

9 8 7 6 5 4 3 2 1