

Excellent Integrated System Limited

Stocking Distributor

Click to view price, real time Inventory, Delivery & Lifecycle Information:

[ICCNEXERGY](#)
[FW7212-D5-NC](#)

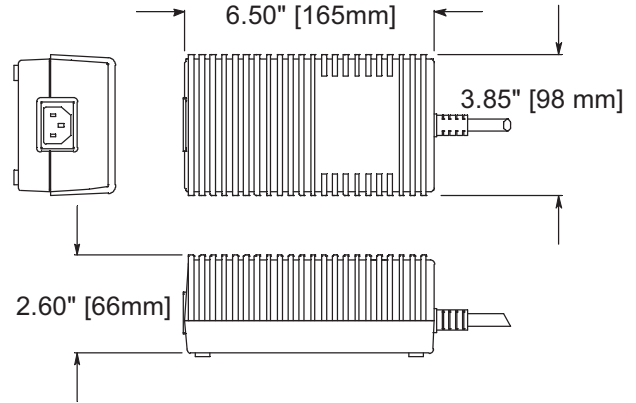
For any questions, you can email us directly:

sales@integrated-circuit.com



FW72 series

72 Watt AC Adapter



Features

- Wide range AC input
- Fully regulated output
- High efficiency
- 5 year warranty
- RoHS compliant version available

Environmental

- Operating temperature..... 0° C to 40° C
- Storage temperature..... -55° C to 85° C
- Weight = 2.5 lbs

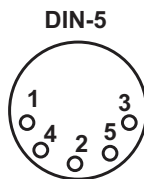
EMI/EMC

Meets FCC class B, CISPR 22 class B

Safety

- CSA Certified to CSA 950
- NRTL/C : UL 1950, CSA 950
- CE Marked

Polarity	1	2	3	4	5
DIN-5	Com	Com	+V	Com	+V



Polarity, 760:



Ordering Information

- FW = Series
- 72 = Watts DC Output
- XX = Voltage DC Output
- D5 = Output Connector (options available)
- F = RoHS Compliant
- NC = No AC input Cord (options available)

Electrical Specifications

Input

- Voltage..... 100 - 240 VAC
- Current..... 2.0 Amp @ 100 VAC
- Frequency..... 47 - 63 Hz
- AC cord..... Optional
- Input connector..... 3 Pin IEC 320 input receptacle

Output

- Line regulation..... TYP +/- 1%
- Load regulation..... TYP +/- 5%
- Set point..... +/- 3% at 60% load
- Hold up time..... 20 ms min at full load, 115 VAC
- Over voltage protection..... Built-in
- Over current protection..... Built-in
- Short circuit protection..... Pulsing mode, auto recovery
- Efficiency..... 80% min at full load and 115 VAC
- Transient response..... 2 ms for 50% load change typical
- Ripple/noise (V_{p-p})..... +/- 1% (20 MHz bandwidth)
- Output connector..... 5 pin DIN

Model No.	Voltage	Power	Current
FW7212-D5-NC	12V	72W	6.0A
FW7212-D5F-NC			
FW7224-D5-NC	24V	72W	3.0A
FW7224-D5F-NC			
FW7224-760-NC			
FW7224-760F-NC			