

## Excellent Integrated System Limited

Stocking Distributor

Click to view price, real time Inventory, Delivery & Lifecycle Information:

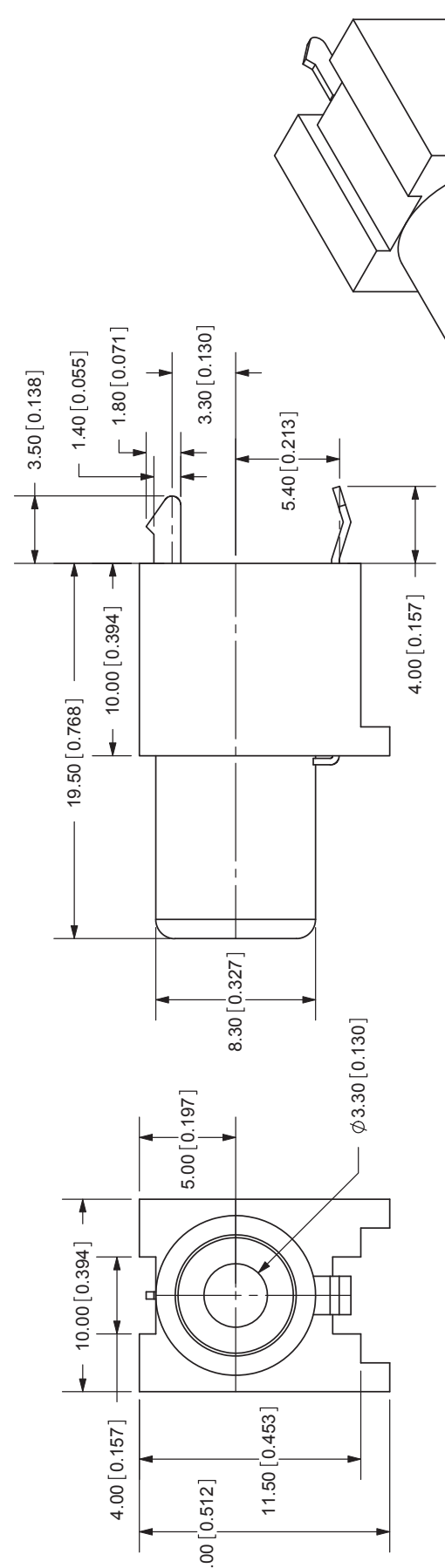
[CUI Inc.](#)  
[RCJ-051](#)

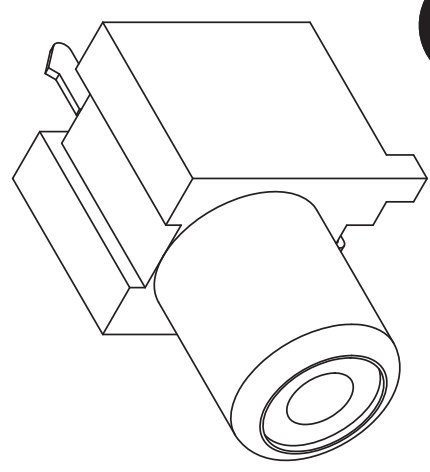
For any questions, you can email us directly:

[sales@integrated-circuit.com](mailto:sales@integrated-circuit.com)

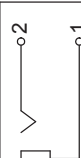
REV.	DESCRIPTION	DATE
A	NEW DRAWING	4/11/2006
B	title corrected from right angle to vertical	5/11/2009


  





MODEL NO.	RCJ-05X
SCHEMATIC	



**CUI INC**

20050 SW 112th Ave.  
 Tualatin, OR 97062  
 Phone: 503-612-2300  
 800-275-4899  
 Fax: 503-612-2383  
 Website: www.cui.com

COLOR INDEX	
PART NO.	COLOR
RCJ-051	Black
RCJ-052	Red
RCJ-053	White
RCJ-054	Yellow
RCJ-055	Blue
RCJ-056	Green
RCJ-057	Orange

TOLERANCE:  
 ±0.3mm UNLESS OTHERWISE SPECIFIED

PCB LAYOUT FRONT VIEW	
1	1.30X2.50
2	1.00X2.50
	3.30 [0.130]
	5.40 [0.213]

RCJ-05X

COPYRIGHT 2009 BY CUI INC.

**SPECIFICATIONS:**  
 CONTACT RESISTANCE: 30m OHMS MAX  
 INSULATION RESISTANCE: 100M OHMS MIN: 500V DC  
 VOLTAGE WITHSTAND: 500V AC R.M.S. FOR 1 MINUTE  
 LIFE: 5,000 CYCLES  
 OPERATING TEMP: -20° ~ +85°C

PC FILE NAME: RCJ-05X

EARTH TERMINAL (1)	
MATERIAL	PLATING
Brass	Nickel
PIN (2)	
Brass	Tin
HOUSING	
PA66	

TITLE: RCJ JACK, VERTICAL, PCB MOUNT REV: B

PART NO: RCJ-05X UNITS: MM [INCHES]

DRAWN BY: ZRJ APPROVED BY: SCALE: 3:1