

Excellent Integrated System Limited

Stocking Distributor

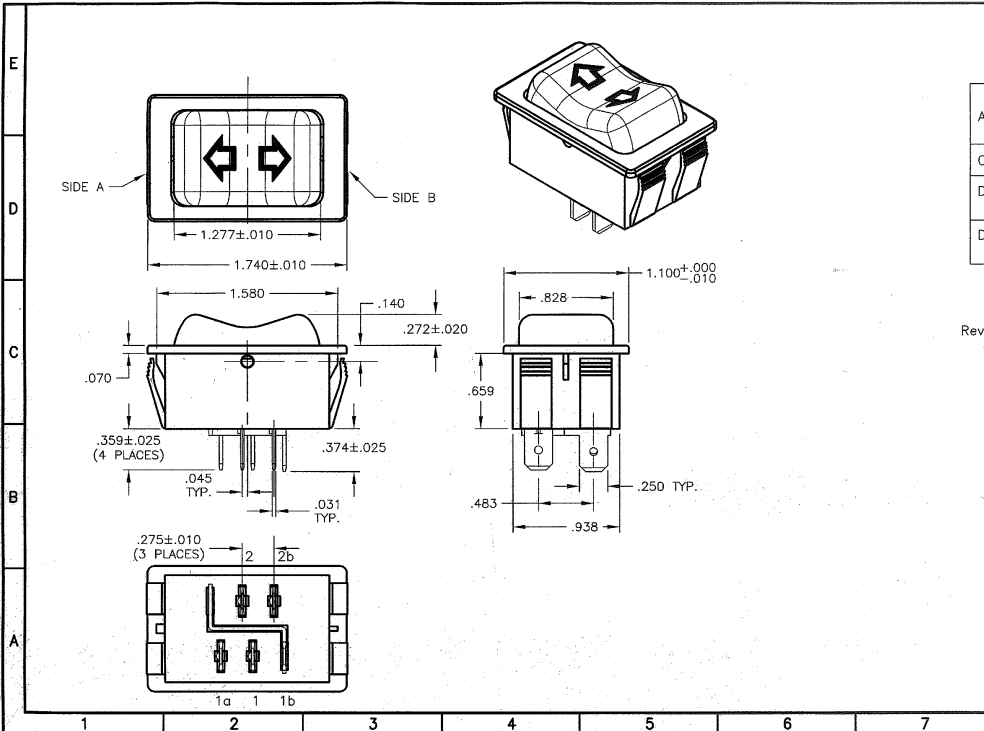
Click to view price, real time Inventory, Delivery & Lifecycle Information:

[CW Industries](#)
[GRS-6024C-0004](#)

For any questions, you can email us directly:
sales@integrated-circuit.com

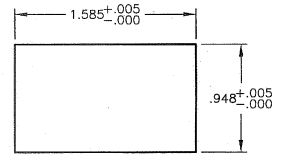
DIMENSIONS IN INCHES (MILLIMETERS)
 DO NOT SCALE DRAWING

Dwg. No.
GRS-6024C-0004



ACTUATOR POSITION	CIRCUITS			
	1a-1	1-1b	1b-2	2-2b
CENTERED	CLOSED	OPEN	OPEN	CLOSED
DEPRESSED ON SIDE A	OPEN	CLOSED	OPEN	CLOSED
DEPRESSED ON SIDE B	CLOSED	OPEN	CLOSED	OPEN

Reversing Motor Circuit:
 Terminals 1a & 2b ground
 Terminal 1b power
 Terminals 1 & 2 motor leads



PANEL OPENING
 PANEL THICKNESS: .090

1	2	3	4	5	6	7	8	9	10
FORM-B3 REVISIONS 0 RELEASED: 11-30-2011 DWG: <i>Nov 30 2011</i>	ATTENTION THIS DRAWING AND ITS ATTACHMENTS, IF ANY, ARE PROPRIETARY TO CW INDUSTRIES AND DESCRIBE DESIGNS THAT ARE CONFIDENTIAL AND MUST NOT BE DISCLOSED UNLESS AUTHORIZED, IN WRITING, BY AN OFFICER OF CW INDUSTRIES.....						CW INDUSTRIES Southampton, Pa. 18966 TOLERANCES UNLESS OTHERWISE SPECIFIED 2 Place Decimal ±.010 METRIC 3 Place Decimal ±.005 1 Place Dec. ±.25mm Angles ±1° 2 Place Dec. ±.13mm Made for: CW IND. Drawn by: DGW 11-30-2011 Checked by: <i>G. Gold 11-30-11</i> Approved: <i>G. Gold 11-30-11</i>	Title: REVERSING SWITCH Division: SWITCH Dwg. No. GRS-6024C-0004	

MASTER