

Excellent Integrated System Limited

Stocking Distributor

Click to view price, real time Inventory, Delivery & Lifecycle Information:

[Molex Connector Corporation](#)
[0543932182](#)

For any questions, you can email us directly:

sales@integrated-circuit.com

DWG. NO. SD-54393-017

F

E

D

C

B

DO NOT SCALE DRAWING

F

E

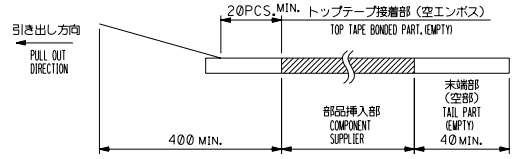
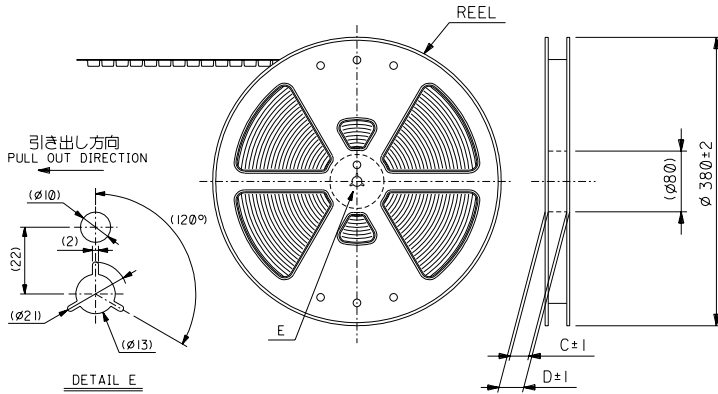
D

C

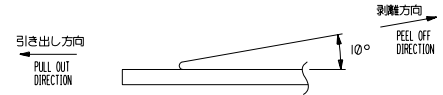
B

注記 NOTES

- 製品詳細寸法については、図面SD-54393-022を参照下さい。
RE DETAILED DIMENSION, SEE SD-54393-022.
- 梱包数量: 2000個/リール
NUMBER OF CONNECTORS: 2000PCS/REEL
- リードテープ長さ LEAD TAPE LENGTH



- トップテープの剥離強度: 0.1N~1.3N {10gf~130gf} (剥離方向は下図参照)
尚、本規格値は出荷時に適用。(但し、輸送時に剥離が発生しないこと。)
PEELING OFF FORCE OF TOP TAPE: 0.1N~1.3N {10gf~130gf} (PEELING DIRECTION AS SHOWN IN FOLLOWING FIG.)
THIS REQUIREMENT SHOULD BE APPLIED AT SHIPMENT.
PEEL OFF SHOULD NOT BE ALLOWED, DURING TRANSPORTATION.

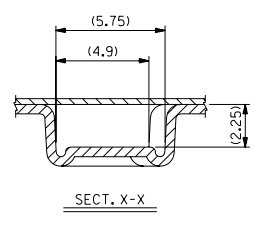
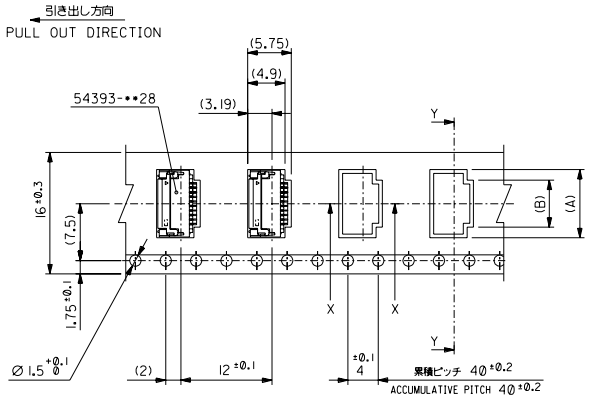
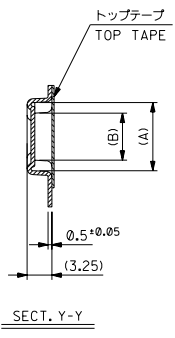


- 材料 (MATERIAL)
キャリアテープ (CARRIER TAPE): ポリプロピレン (POLYPROPYLENE)
トップテープ (TOP TAPE): PET, PE, PEF
リール (REEL): ポリスチレン (PS) <リサイクル材を含む>
POLYSTYREN (PS) <RECYCLE MATERIAL CONTAINED>
- 本製品は54393-**92の鉛フリー品です。
THIS PRODUCT IS LEAD FREE OF 54393-**92

EC NO. DRAWN: CHK: APPR:		EC NO. DRAWN: CHK: APPR:		EC NO. DRAWN: CHK: APPR:		REVISED EC NO. J2004-2846 DRAWN: MIMOTO 04/03/03 CHK: K. TOJO 04/03/03 APPR: M. SASAO 04/03/03		RELEASED EC NO. J2004-1672 DRAWN: T. UENO 03/12/22 CHK: M. SASAO 03/12/22 APPR: M. SASAO 03/12/22		MATERIAL 材料 注記参照 SEE NOTES		GENERAL TOLERANCES: (UNLESS SPECIFIED) SCALE DESIGN UNITS mm INCH		54393-**82		MODEL NO.		DIMENSIONS: mm INCH		SHT REV REVISE ON CAD ONLY	
EC NO. DRAWN: CHK: APPR:		EC NO. DRAWN: CHK: APPR:		EC NO. DRAWN: CHK: APPR:		A		0		FINISH 仕上り //		DRAWN BY & DATE T. UENO 03/12/22		THIRD ANGLE PROJECTION		TITLE: 0.3 FPC Conn (Easy on) Hsg Assy Embstp Pkg -LEAD FREE-		MOLEX INCORPORATED		SHEET NO. 1 OF 4	
EC NO. DRAWN: CHK: APPR:		EC NO. DRAWN: CHK: APPR:		EC NO. DRAWN: CHK: APPR:		REV		INS. RANGE 検査外径 //		WIRE RANGE 適用電線範囲 //		CHECKED BY & DATE M. SASAO 03/12/22		MATERIAL NO. SEE CHART		DRAWING NO. SD-54393-017		SIZE B		EN-02J(097) MXJ-54	
8		7		6		5		4		3		2		1							

SD-54393-017-04

DWG. NO. SD-54393-017



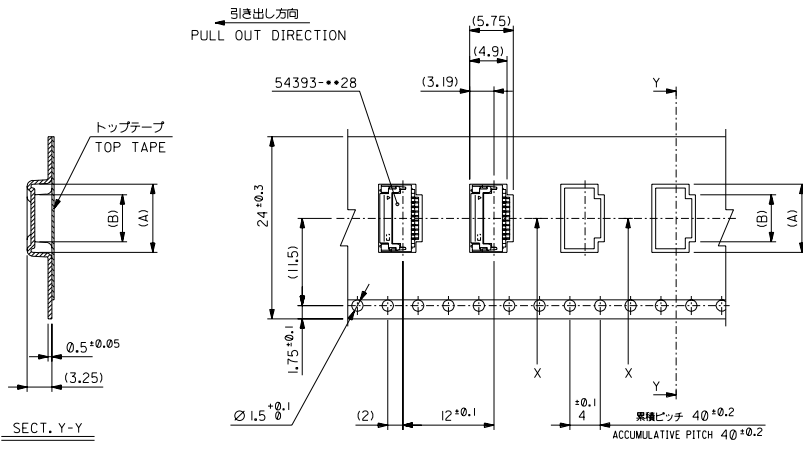
16mm幅キャリアテープ
16mm WIDTH CARRIER TAPE

DO NOT SCALE DRAWING

EC NO. DRAWN: CHK'g: APPR:		EC NO. DRAWN: CHK'g: APPR:		EC NO. DRAWN: CHK'g: APPR:		REVISED EC NO. J2004-2846 DRAWN: MINOMIYA '04/03/03 CHK'g: K.TOJO '04/03/03 APPR: M.SASAO '04/03/03 RELEASED EC NO. J2004-1672 DRAWN: T.UENO '03/12/22 CHK'g: M.SASAO '03/12/22 APPR: M.SASAO '03/12/22		MATERIAL 材料 注記参照 SEE NOTES		GENERAL TOLERANCES: (UNLESS SPECIFIED) 一般公差		SCALE 1:1 DESIGN UNITS <input checked="" type="checkbox"/> mm <input type="checkbox"/> INCH		MODEL NO. 54393-017		DIMENSIONS: <input type="checkbox"/> mm <input type="checkbox"/> INCH <input checked="" type="checkbox"/> mm ONLY		SHT 2 OF 4 REV 1 REVISIONS ON CAD ONLY	
FINISH 仕上り // WIRE RANGE 適用電線範囲 // INS. RANGE 被覆外径 //		DRAWN BY & DATE T.UENO '03/12/22		CHECKED BY & DATE M.SASAO '03/12/22		APPROVED BY & DATE M.SASAO '03/12/22		CAD FILENAME SD-54393-017.S02		TITLE: 0.3 FPC Conn (Easy on) Hsg Assy Embstp Pkg -LEAD FREE-		MOLEX INCORPORATED		MATERIAL NO. SEE CHART DRAWING NO. SD-54393-017		SHEET NO. 2 OF 4 SIZE B			
8		7		6		5		4		3		2		1		EN-02J(097) MXJ-54			

SD-54393-017-02

DWG. NO. SD-54393-017



24mm幅キャリアテープ
24mm WIDTH CARRIER TAPE

24	29.4	25.4	13.4	16.2	54393-4582	45	
			11.6	14.4	54393-3982	39	
			9.8	12.6	54393-3382	33	
			8	10.8	54393-2782	27	
			6.8	9.6	54393-2382	23	
			6.2	9.0	54393-2182	21	
キャリアテープ幅 CARRIER TAPE WIDTH		D	C	B	A	MATERIAL NO.	種別 CKT.

DO NOT SCALE DRAWING		EC NO. DRAWN: CHK: APPR:		EC NO. DRAWN: CHK: APPR:		EC NO. DRAWN: CHK: APPR:		REVISED EC NO. J2004-2846 DRAWN: MIMOTO 04/03/03 CHK: K. TOJO 04/03/03 APPR: M.SASAO 04/03/03		RELEASED EC NO. J2004-1672 DRAWN: UENO 03/12/22 CHK: M.SASAO 03/12/22 APPR: M.SASAO 03/12/22		MATERIAL 材料 注記参照 SEE NOTES		GENERAL TOLERANCES: (UNLESS SPECIFIED) — 公差		54393-282		MODEL NO.		DIMENSIONS: mm INCH		SHT REV							
						A		0		FINISH 仕上り //		WIRE RANGE 適用電線範囲 //		INS. RANGE 被覆外径 //		SCALE 1:1 DESIGN UNITS mm INCH		THIRD ANGLE PROJECTION		mm INCH		MIM ONLY							
																DRAWN BY & DATE T.UENO 03/12/22		CHECKED BY & DATE M.SASAO 03/12/22		APPROVED BY & DATE M.SASAO 03/12/22		CAD FILENAME SD-54393-017.S03		MATERIAL NO. SEE CHART		DRAWING NO. SD-54393-017		SHEET NO. 3 OF 4	
																TITLE: 0.3 FPC Conn (Easy on) Hsg Assy Embstp Pkg -LEAD FREE-		MOLEX INCORPORATED		THIS DRAWING CONTAINS INFORMATION THAT IS PROPRIETARY TO MOLEX INCORPORATED AND SHOULD NOT BE USED WITHOUT WRITTEN PERMISSION.		SIZE B		EN-02J(097)MXJ-54					

SD-54393-017-04

DWG. NO. SD-54393-017

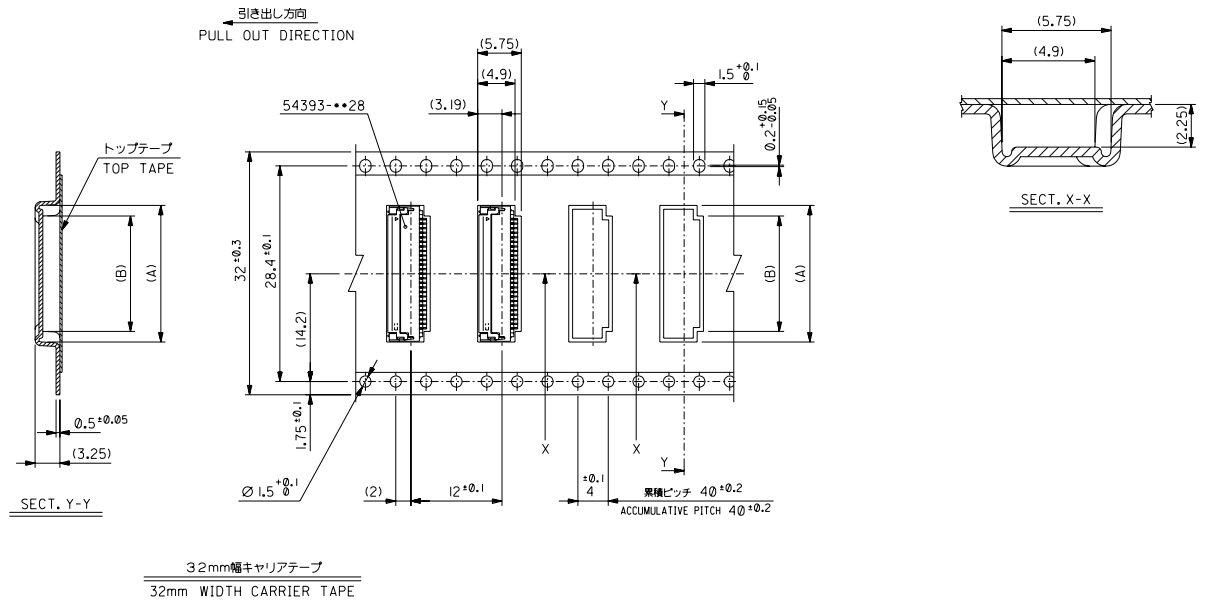
F

D

C

B

DO NOT SCALE DRAWING

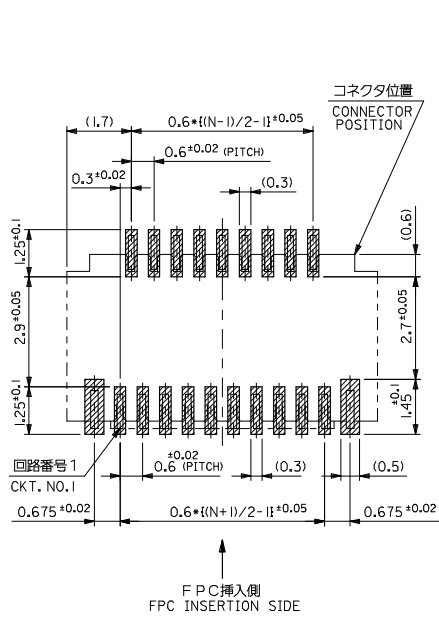


32	37.4	33.4	15.2	18.0	54393-5182	51
キャリアテープ幅 CARRIER TAPE WIDTH	D	C	B	A	MATERIAL NO.	種別 CKT.

54393-017		MODEL NO.	DIMENSIONS:		SHT	REV
SCALE	DESIGN UNITS	THIRD ANGLE PROJECTION	<input type="checkbox"/> mm	<input type="checkbox"/> INCH	<input checked="" type="checkbox"/> mm ONLY	REVISE ON CAD ONLY
DRAWN BY & DATE T.UENO '03/12/22		TITLE: 0.3 FPC Conn (Easy on) Hsg Assy Embstp Pkg -LEAD FREE-				
CHECKED BY & DATE M.SASAO '03/12/22		MOLEX INCORPORATED				
APPROVED BY & DATE M.SASAO '03/12/22		MATERIAL NO.	DRAWING NO.	SHEET NO.		
CAD FILENAME SD-54393-017.S04		SEE CHART	SD-54393-017	4 OF 4		
THIS DRAWING CONTAINS INFORMATION THAT IS PROPRIETARY TO MOLEX INCORPORATED AND SHOULD NOT BE USED WITHOUT WRITTEN PERMISSION.						
EN-02J(097) MXJ-54						

EC NO. DRAWN: CHK'g: APPR:	EC NO. DRAWN: CHK'g: APPR:	EC NO. DRAWN: CHK'g: APPR:	REVISED EC NO. J2004-2846 DRAWN: MIMOTO '04/03/03 CHK'g: K. TOJO '04/03/03 APPR: M.SASAO '04/03/03	RELEASED EC NO. J2004-1672 DRAWN: T. UENO '03/12/22 CHK'g: M.SASAO '03/12/22 APPR: M.SASAO '03/12/22	DESCRIPTION	MATERIAL 材料 注記参照 SEE NOTES	FINISH 仕上り //	WIRE RANGE 適用電線範囲 //	INS. RANGE 被覆外径 //
8	7	6	A	0					

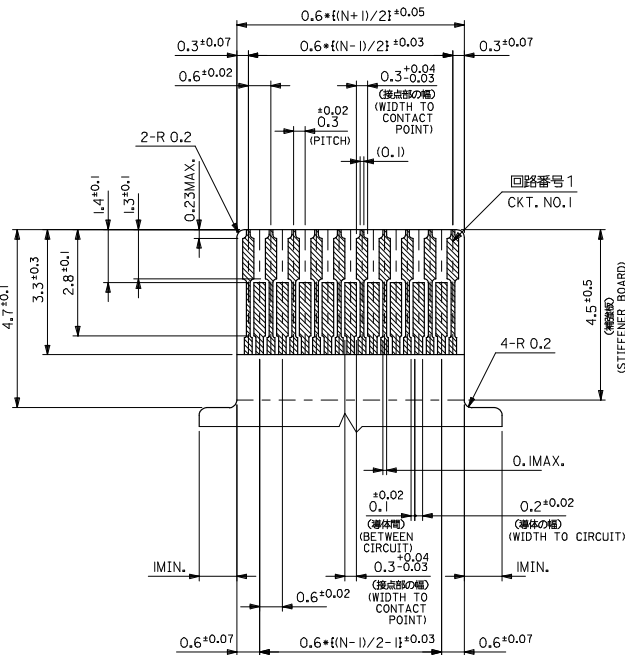
SD-54393-017-04



参考基板レイアウト
RECOMMENDED P.C.BOARD
PATTERN DIM. (REF.)
(マウント面)

FPCについて:
打抜き方向は導体側から補強板側を推奨致します。
補強フィルム材質はポリイミドを推奨致します。
接着剤は熱硬化接着剤を推奨致します。

ABOUT FPC:
RECOMMENDED PUNCHER DIRECTION : FROM CONDUCTOR SIDE TO STIFFENER BOARD SIDE.
RECOMMENDED MATERIAL:
STIFFENER FILM : POLYIMIDE
BONDING AGENT : THERMOSETTING BONDING AGENT



適合FPC推奨寸法
APPLICABLE FPC
RECOMMENDED DIM.
(仕上がり厚さ : 0.2 ± 0.03)
(THICKNESS : 0.2 ± 0.03)

REVISED EC NO.: J2008-4034 DRAWN BY: CHIKO HARUYAMA APPROVED BY: APERUKITA 2008/05/28 2008/05/28 2008/05/28	GENERAL TOLERANCES (UNLESS SPECIFIED)		DIMENSION STYLE MM ONLY	SCALE 10:1	DESIGN UNITS METRIC	THIRD ANGLE PROJECTION
	10 UNDER	± ---	DRAWN BY T. UENO	DATE '03/12/22	TITLE 0.3 FPC CONN (EASY ON) HSG ASSY -LEAD FREE-	
	10 OVER 30 UNDER	± ---	CHECKED BY M. SASAO	DATE '03/12/22		
	30 OVER	± ---	APPROVED BY M. SASAO	DATE '03/12/22	MOLEX INCORPORATED	
B	ANGULAR ± --- °	DRAFT WHERE APPLICABLE MUST REMAIN WITHIN DIMENSIONS	MATERIAL NO. SEE SHEET 1	DOCUMENT NO. SD-54393-022	SHEET NO. 2 OF 2	