

Excellent Integrated System Limited

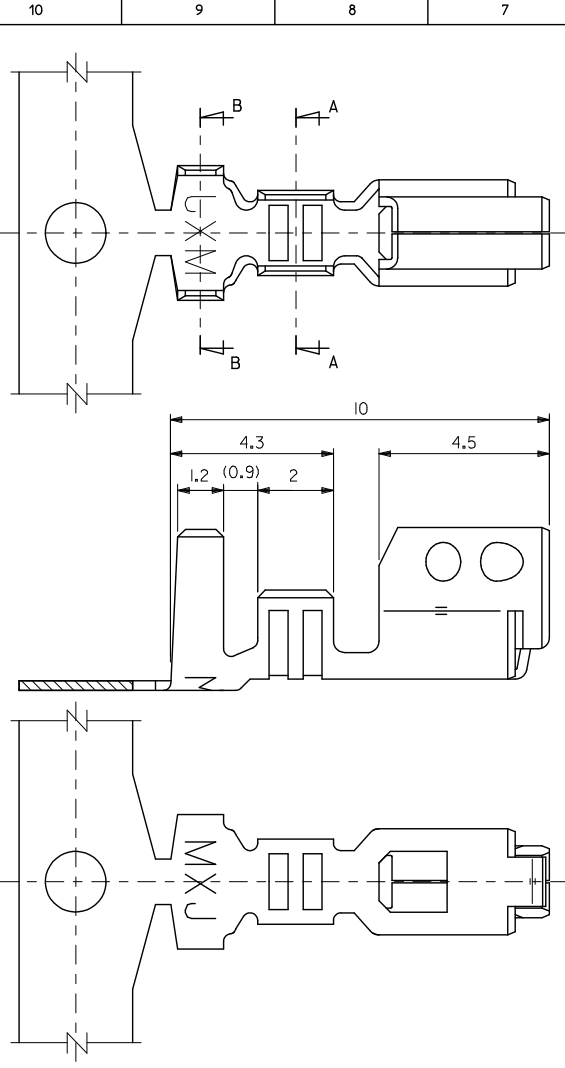
Stocking Distributor

Click to view price, real time Inventory, Delivery & Lifecycle Information:

[Molex Connector Corporation](#)
[0505399001](#)

For any questions, you can email us directly:

sales@integrated-circuit.com

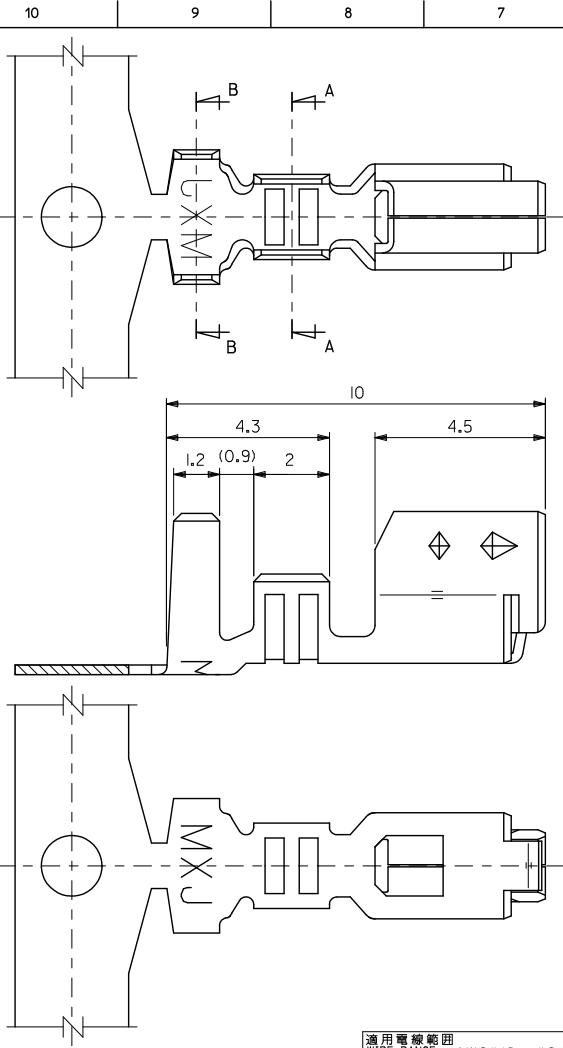


注記 NOTES

- 1. 適合ハウジング: 51144-***00
- APPLICABLE HOUSING: 51144-***00

リン青銅、錫メッキ PHOS. BRO. PRE-TINNED (t=0.254)	50539-8100	ハコ状 LOOSE 連鎖状 CHAIN
黄銅、錫メッキ BRASS PRE-TINNED (t=0.254)	50539-8000	連鎖状 CHAIN
材 料 MATERIAL	MATERIAL NO.	端子形状 FORM
MODEL NO. 50539-****		

REVISED EC NO. J2009-1311 DRAWN BY DRWANKAMURAA 2008/12/16 CHECKED BY CHKD-T HARIYAMA 2008/12/16 APPROVED BY APPR-NUKITA 2009/01/16	GENERAL TOLERANCES (UNLESS SPECIFIED)		DIMENSION STYLE MM ONLY		SCALE ---	DESIGN UNITS METRIC	THIRD ANGLE PROJECTION	
	10 UNDER	± 0.2	DRAWN BY TNIITSU	DATE '94/11/7	TITLE 3.96 WIRE TO BOARD CONN CRIMP RECEPTACLE			
	10 OVER 30 UNDER	± 0.25	CHECKED BY SKUNISHI	DATE '95/07/28	MOLEX INCORPORATED			
	30 OVER	± 0.3	APPROVED BY MFUKUSHIMA	DATE '95/07/28	DOCUMENT NO. SD-50539-001			
ANGULAR ± 3 °		DRAFT WHERE APPLICABLE MUST REMAIN WITHIN DIMENSIONS		MATERIAL NO. SEE TABLE	SHEET NO. 1 OF 1			
SIZE A3				THIS DRAWING CONTAINS INFORMATION THAT IS PROPRIETARY TO MOLEX INCORPORATED AND SHOULD NOT BE USED WITHOUT WRITTEN PERMISSION				



注記 NOTES

- 1. 適合ハウジング: 51129-***00
51144-***00
- APPLICABLE HOUSING: 51129-***00
51144-***00

リン青銅、錫メッキ PHOS. BRO. PRE-TINNED (t=0.254)	50539-8100	ハコ状 LOOSE
	50539-8000	連鎖状 CHAIN
黄銅、錫メッキ BRASS PRE-TINNED (t=0.254)	50539-9001	連鎖状 CHAIN
材 料 MATERIAL	MATERIAL NO.	端子形状 FORM

MODEL NO. 50539-****

REVISED EC NO. J2009-1311 DRAWN: KAMIMURA 2008/12/16 CHKD: HARIYAMA 2008/12/16 APPR: NUKITA 2009/01/16	GENERAL TOLERANCES (UNLESS SPECIFIED)		DIMENSION STYLE MM ONLY	SCALE ---	DESIGN UNITS METRIC	TITLE 3.96 W/B CONN CRIMP REC
	10 UNDER	±0.2	DRAWN BY T. NIITSU	DATE '94/11/7	THIRD ANGLE PROJECTION	MOLEX INCORPORATED
	10 OVER 30 UNDER	±0.25	CHECKED BY K. T.	DATE '95/7/28		
	30 OVER	±0.30	APPROVED BY S. FUKUSHIMA	DATE '95/7/28	DOCUMENT NO. SD-50539-002	SHEET NO. 1 OF 1
REV	DESCRIPTION	ANGULAR ±3°	DRAFT WHERE APPLICABLE MUST REMAIN WITHIN DIMENSIONS		SEE TABLE	

適用電線範囲
WIRE RANGE AWG# 18 ~ #24
被覆外径
INS. RANGE φ 1.4 ~ φ 3.0