

Excellent Integrated System Limited

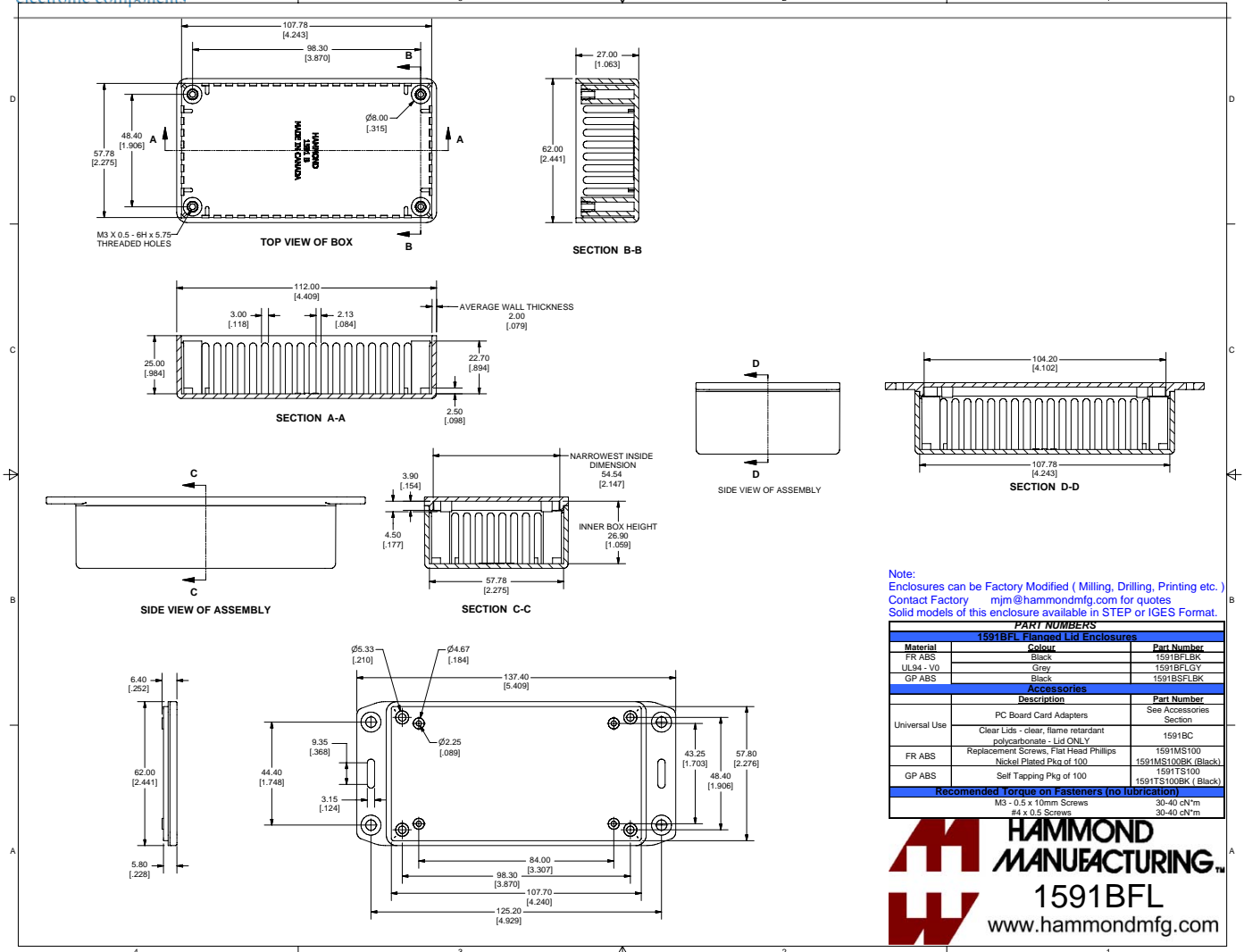
Stocking Distributor

Click to view price, real time Inventory, Delivery & Lifecycle Information:

[Hammond Manufacturing](#)
[1591BFLBK](#)

For any questions, you can email us directly:

sales@integrated-circuit.com



Note:
Enclosures can be Factory Modified (Milling, Drilling, Printing etc.)
Contact Factory njm@hammondmfg.com for quotes
Solid models of this enclosure available in STEP or IGES Format.

| PART NUMBERS | | |
|--|-------------------------|-------------|
| 1591BFL Flanged Lid Enclosures | | |
| Material | Colour | Part Number |
| FR ABS | Black | 1591BFLBK |
| UL94 - V0 | Grey | 1591BFLGY |
| GP ABS | Black | 1591BSFLBK |
| Accessories | | |
| Description | Part Number | |
| PC Board Card Adapters | See Accessories Section | |
| Clear Lids - clear, flame retardant polycarbonate - Lid ONLY | 1591BC | |
| FR ABS Replacement Screws, Flat Head Phillips | 1591MS100 | |
| Nickel Plated Pkg of 100 | 1591MS100BK (Black) | |
| GP ABS Self Tapping Pkg of 100 | 1591TS100 (Black) | |
| GP ABS Self Tapping Pkg of 100 | 1591TS100BK (Black) | |
| Recommended Torque on Fasteners (no lubrication) | | |
| M3 - 0.5 x 10mm Screws | 30-40 cN*m | |
| #4 x 0.5 Screws | 30-40 cN*m | |

