



Distributor of Molex Connector Corporation: Excellent Integrated System Limited
Datasheet of 67265-0000 - Connector Receptacle USB TypeB 4 Position Through Hole,
Vertical

Contact us: sales@integrated-circuit.com Website: www.integrated-circuit.com

Excellent Integrated System Limited

Stocking Distributor

Click to view price, real time Inventory, Delivery & Lifecycle Information:

[Molex Connector Corporation](#)
[67265-0000](#)

For any questions, you can email us directly:
sales@integrated-circuit.com

Contact us: sales@integrated-circuit.com Website: www.integrated-circuit.com

NOTES :

1. MATERIAL :

HOUSING : POLYESTER ,UL94V-0 ,
 COLOR:BLACK, OR WHITE
 TERMINAL : PHOSPHOR BRONZE (PhBr)
 METAL SHELL : COPPER ALLOY

2. PLATING :

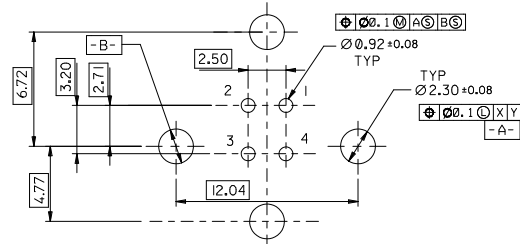
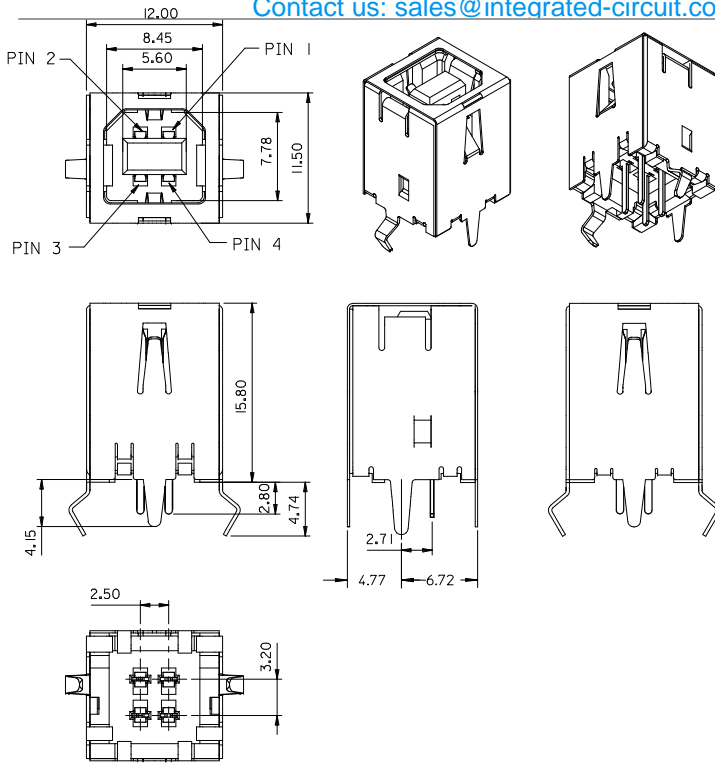
TERMINAL :
 CONTACT AREA :
 (a) GOLD FLASH.
 (b) GOLD (Au), THICKNESS=30 MICROINCH /0.76 MICROMETER
 SOLDER TAIL : (a) TIN-LEAD (90/10) ALLOY
 ,THICKNESS=150 MICROINCH/3.8 MICROMETER
 (b) PURE TIN PLATING.
 THICKNESS=50 MICROINCH/1.27MICROMETER MINIMUM.
 UNDER PLATE : NICKEL (Ni)
 ,THICKNESS=50 MICROINCH /1.27 MICROMETER

METAL SHELL :

(a) TIN-LEAD (Sn-Pb) ALLOY
 ,THICKNESS=100 MICROINCH /2.54 MICROMETER
 (b) PURE TIN PLATING,
 THICKNESS =50 MICROINCH/1.27 MICROMETER MINIMUM.
 UNDER PLATE : NICKEL (Ni)
 ,THICKNESS=50 MICROINCH /1.27 MICROMETER

3. RECOMMENDED PCB THICKNESS : 1.60±0.05mm

4. PRODUCT SPECIFICATION : REFER TO PS-67998-0000



REVISED EC NO: GJDRW/SPWU CHKD: APPR:	DESCRIPTION 2009/09/01	QUALITY SYMBOLS		GENERAL TOLERANCES (UNLESS SPECIFIED)		DIMENSION STYLE MM ONLY		SCALE 1:1	DESIGN UNITS METRIC	THIRD ANGLE PROJECTION																															
		$\nabla = 0$ $\nabla = 0$		<table border="1"> <thead> <tr> <th></th> <th>mm</th> <th>INCH</th> </tr> </thead> <tbody> <tr> <td>4 PLACES</td> <td>± ---</td> <td>± ---</td> </tr> <tr> <td>3 PLACES</td> <td>± ---</td> <td>± ---</td> </tr> <tr> <td>2 PLACES</td> <td>± 0.25</td> <td>± ---</td> </tr> <tr> <td>1 PLACE</td> <td>± 0.25</td> <td>± ---</td> </tr> <tr> <td colspan="3">ANGULAR ± 3°</td> </tr> </tbody> </table>		mm	INCH	4 PLACES	± ---	± ---	3 PLACES	± ---	± ---	2 PLACES	± 0.25	± ---	1 PLACE	± 0.25	± ---	ANGULAR ± 3°			<table border="1"> <thead> <tr> <th>DRAWN BY</th> <th>DATE</th> <th>TITLE</th> </tr> </thead> <tbody> <tr> <td>SAM SHIN</td> <td>1998/12/21</td> <td rowspan="2">USB B VERTICAL CONN</td> </tr> <tr> <td>CHECKED BY</td> <td>DATE</td> </tr> <tr> <td>VLIN</td> <td>1998/12/21</td> <td rowspan="2">MOLEX INCORPORATED</td> </tr> <tr> <td>APPROVED BY</td> <td>DATE</td> </tr> <tr> <td>NEGA LIN</td> <td>1998/12/21</td> <td>DOCUMENT NO.</td> </tr> </tbody> </table>	DRAWN BY	DATE	TITLE	SAM SHIN	1998/12/21	USB B VERTICAL CONN	CHECKED BY	DATE	VLIN	1998/12/21	MOLEX INCORPORATED	APPROVED BY	DATE	NEGA LIN	1998/12/21	DOCUMENT NO.		
			mm	INCH																																					
		4 PLACES	± ---	± ---																																					
3 PLACES	± ---	± ---																																							
2 PLACES	± 0.25	± ---																																							
1 PLACE	± 0.25	± ---																																							
ANGULAR ± 3°																																									
DRAWN BY	DATE	TITLE																																							
SAM SHIN	1998/12/21	USB B VERTICAL CONN																																							
CHECKED BY	DATE																																								
VLIN	1998/12/21	MOLEX INCORPORATED																																							
APPROVED BY	DATE																																								
NEGA LIN	1998/12/21	DOCUMENT NO.																																							
DRAFT WHERE APPLICABLE MUST REMAIN WITHIN DIMENSIONS		MATERIAL NO. SEE TABLE		DOCUMENT NO. SD-67265-002		SHEET NO. 1 OF 2																																			
THIS DRAWING CONTAINS INFORMATION THAT IS PROPRIETARY TO MOLEX INCORPORATED AND SHOULD NOT BE USED WITHOUT WRITTEN PERMISSION																																									

Contact us: sales@integrated-circuit.com Website: www.integrated-circuit.com

REFER TO PACKING DOC. NO. PK-67265-001 PACKING: TRAY SIZE : 360*360mm (150 PIECES)				REFER TO PACKING DOC. NO. PK-67265-001 PACKING: TRAY SIZE : 360*360mm (150 PIECES)					
P/N	COLOR	CONTACT PLATING	SHELL AND SOLDER TAIL PLATING	P/N	COLOR	CONTACT PLATING	SHELL AND SOLDER TAIL PLATING		
67265-0000	BLACK	GOLD FLASH	TIN LEAD PLATING	67265-2000	BLACK	GOLD FLASH	PURE TIN PLATING (lead-free)		
67265-0001	BLACK	0.76 MICROMETER/30 MICROINCH GOLD		67265-2001	BLACK	0.76 MICROMETER/30 MICROINCH GOLD			
67265-1000	WHITE	GOLD FLASH		67265-3000	WHITE	GOLD FLASH			
67265-1001	WHITE	0.76 MICROMETER/30 MICROINCH GOLD		67265-3001	WHITE	0.76 MICROMETER/30 MICROINCH GOLD			
REFER TO PACKING DOC. NO. PK-67265-002 PACKING: TRAY SIZE : 360*165mm (150 PIECES)				REFER TO PACKING DOC. NO. PK-67265-002 PACKING: TRAY SIZE : 360*165mm (150 PIECES)					
P/N	COLOR	CONTACT PLATING		P/N	COLOR	CONTACT PLATING			
67265-0200	BLACK	GOLD FLASH		67265-2200	BLACK	GOLD FLASH			
67265-0201	BLACK	0.76 MICROMETER/30 MICROINCH GOLD		67265-2201	BLACK	0.76 MICROMETER/30 MICROINCH GOLD			
67265-1200	WHITE	GOLD FLASH		67265-3200	WHITE	GOLD FLASH			
67265-1201	WHITE	0.76 MICROMETER/30 MICROINCH GOLD		67265-3201	WHITE	0.76 MICROMETER/30 MICROINCH GOLD			
REFER TO PACKING DOC. NO. PK-67265-003 PACKING: TUBE				REFER TO PACKING DOC. NO. PK-67265-003 PACKING: TUBE					
P/N	COLOR	CONTACT PLATING		P/N	COLOR	CONTACT PLATING			
67265-0300	BLACK	GOLD FLASH	67265-2300	BLACK	GOLD FLASH				
67265-0301	BLACK	0.76 MICROMETER/30 MICROINCH GOLD	67265-2301	BLACK	0.76 MICROMETER/30 MICROINCH GOLD				
67265-1300	WHITE	GOLD FLASH	67265-3300	WHITE	GOLD FLASH				
67265-1301	WHITE	0.76 MICROMETER/30 MICROINCH GOLD	67265-3301	WHITE	0.76 MICROMETER/30 MICROINCH GOLD				

REVISED EC NO: SH2010-0079 2009/09/01 GJDRWNYPMU 2009/09/02 CHKD: APPR:RZHANG 2009/10/12 DESCRIPTION REV	QUALITY SYMBOLS	GENERAL TOLERANCES (UNLESS SPECIFIED)	DIMENSION STYLE	SCALE	DESIGN UNITS	THIRD ANGLE PROJECTION
	▽=0	mm INCH	MM ONLY	1:1	METRIC	☉
	▽=0	4 PLACES ± --- ± ---	DRAWN BY DATE	TITLE		
		3 PLACES ± --- ± ---	SAM SHIN 1998/12/21	USB B VERTICAL CONN		
		2 PLACES ± 0.25 ± ---	CHECKED BY DATE	MOLEX INCORPORATED		
	1 PLACE ± 0.25 ± ---	VLIN 1998/12/21	SD-67265-002			
	ANGULAR ± 3°	APPROVED BY DATE	SHEET NO.			
		NEGA LIN 1998/12/21	2 OF 2			
	DRAFT WHERE APPLICABLE MUST REMAIN WITHIN DIMENSIONS	MATERIAL NO.	THIS DRAWING CONTAINS INFORMATION THAT IS PROPRIETARY TO MOLEX INCORPORATED AND SHOULD NOT BE USED WITHOUT WRITTEN PERMISSION			
		SEE TABLE				