

Excellent Integrated System Limited

Stocking Distributor

Click to view price, real time Inventory, Delivery & Lifecycle Information:

[Molex Connector Corporation](#)
[95003-2441](#)

For any questions, you can email us directly:

sales@integrated-circuit.com

NOTES :

1- MATERIAL:

-HOUSING: POLYESTER FIBER GLASS FILLED UL 94-V0 COLOR BLACK.

-TERMINAL: PHOSPHOR BRONZE.

PLATING 2:

POST PLATE (0.00127-0.00152)/.000050-.000060 GOLD IN CONTACT AREA. (0.00190)/.000075 MIN. PURE TIN IN TAIL AREA BOTH OVER (0.00127)/.000050 MIN. NICKEL OVERALL.

PLATING 7: ONLY ON REQUEST

POST PLATE 0.00005/.000002 MIN GOLD OVER 0.000763 .000030 MIN PALLADIUM NICKEL IN CONTACT AREA. 0.00190/.000075 MIN PURE TIN IN TAIL AREA. BOTH OVER 0.00127/.000050 MIN NICKEL OVERALL:

2- JACK FOR MATING WITH F.C.C. 68 PLUGS 90075 MOLEX SERIES.

3- PRODUCT SPECIFICATION PS-95003.

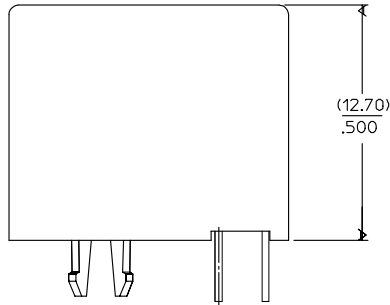
4- APPLICATION SPECIFICATION AS-95001.

5- PACKAGING SPECIFICATION PK-95003:

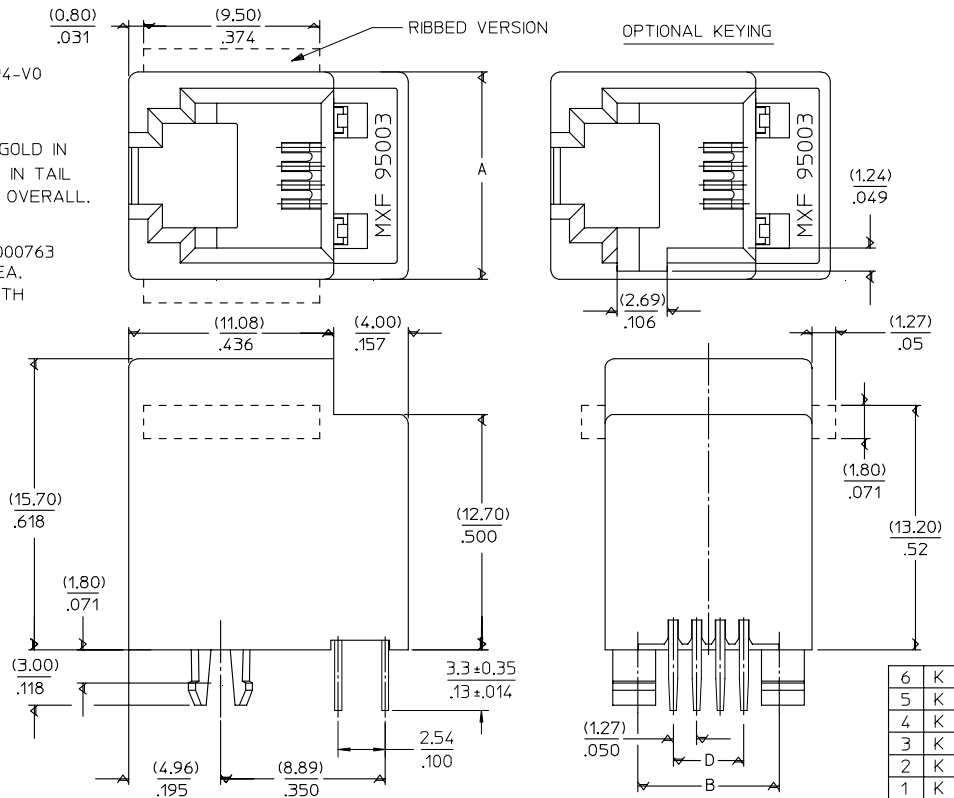
- STANDARD PACKAGING SHEET 1.

- TUBE PACKAGING FOR SMT VERSION SHEET 2.

- TUBE PACKAGING FOR THROUGH HOLE VERSION SHEET 3.



SHORT VERSION



| | |
|---|---|
| 6 | K |
| 5 | K |
| 4 | K |
| 3 | K |
| 2 | K |
| 1 | K |

| | | | | | | | |
|---|-------------------------------|---|--|---|--|------------------------|------------------------|
| ENTER DESCRIPTION E.C. NO.: MG2005-019 DRAWN BY: CHKDJF CARABET DATE: 2004/10/06 APPR: KNOELLER DATE: 2004/10/11 | QUALITY SYMBOLS ▽=0 ▽=0 | GENERAL TOLERANCES (UNLESS SPECIFIED) | | DIMENSION STYLE MM/IN | SCALE 5:1 | DESIGN UNITS METRIC | THIRD ANGLE PROJECTION |
| | | 4 PLACES ± --- ± --- 3 PLACES ± --- ± .006 2 PLACES ± 0.15 ± .010 1 PLACE ± 0.25 ± --- ANGULAR ± .5 ° | mm INCH | DRAWN BY: GP DATE: 95/05/15 | TITLE: LOW PROFILE TOP ENTRY JACK (THROUGH HOLE VERSION) | | |
| | | DRAFT WHERE APPLICABLE MUST REMAIN WITHIN DIMENSIONS | APPROVED BY: [Signature] DATE: 95/05/15 | MATERIAL NO.: SEE SHT 4,5,6 SIZE: A3 | DOCUMENT NO.: SDA-95003-F | | |
| | | MOLEX INCORPORATED | | | SHEET NO.: 1 OF 6 | | |

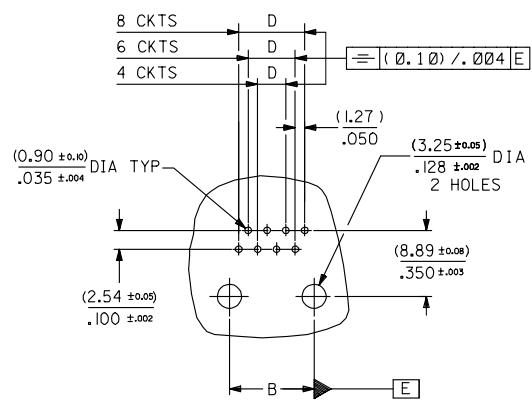
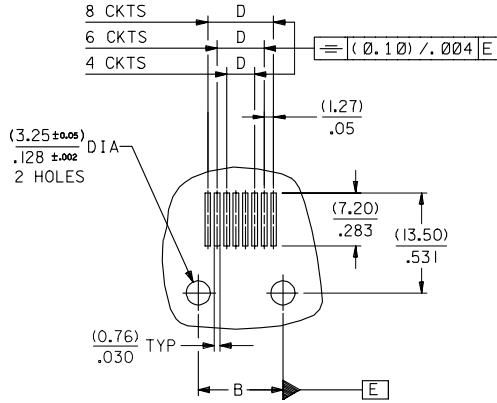
10 9 8 7 6 5 4 3 2 1

| TYPE DIM. | POS. 4 | POS. 6 | | POS. 8 | | |
|-------------------------------|----------------|----------------|----------------|----------------|----------------|----------------|
| | 4 CKTS. | 4 CKTS. | 6 CKTS. | 4 CKTS. | 6 CKTS. | 8 CKTS. |
| A | (11.18) / .440 | (13.21) / .520 | (13.21) / .520 | (15.24) / .600 | (15.24) / .600 | (15.24) / .600 |
| B (± 0.05) / $\pm .002$ | (7.62) / .300 | (10.16) / .400 | (10.16) / .400 | (11.43) / .450 | (11.43) / .450 | (11.43) / .450 |
| D (± 0.05) / $\pm .002$ | (3.81) / .150 | (3.81) / .150 | (6.35) / .250 | (3.81) / .150 | (6.35) / .250 | (8.89) / .350 |

P.C.B. MOUNTING PATTERNS - SEE FROM COMPONENT SIDE

FOR SMT JACK (SURFACE MOUNT)

FOR STANDARD JACK (THROUGH HOLE)



| | | | | | | | | | |
|---|-------------------------------|---|------------|-------------------------------|-----------------------------|-------------------------------|------------------------|------------------------|--|
| ENTER DESCRIPTION E.C. NO.: MG2005-019 DRAWN BY: CHKDF/CARABET CHECKED BY: APPREK/MÖLLER DATE: 2004/10/06 DATE: 2004/10/11 | QUALITY SYMBOLS ▽=0 ▽=0 | GENERAL TOLERANCES (UNLESS SPECIFIED) | | DIMENSION STYLE MM/IN | | SCALE 2:1 | DESIGN UNITS METRIC | THIRD ANGLE PROJECTION | |
| | | 4 PLACES ± --- ± --- 3 PLACES ± --- ± .006 2 PLACES ± 0.15 ± .010 1 PLACE ± 0.25 ± --- | mm INCH | DRAWN BY GP | DATE 95/05/15 | TITLE LOW PROFILE T/E JACK | | | |
| | | ANGULAR ± .5 ° | | CHECKED BY DATE | APPROVED BY DATE | MOLEX INCORPORATED | | | |
| | | DRAFT WHERE APPLICABLE MUST REMAIN WITHIN DIMENSIONS | | MATERIAL NO. SEE SHT. 4, 5 | DOCUMENT NO. SDA-95003-F | SHEET NO. 3 OF 6 | | | |

9 8 7 6 5 4 3 2 1

