



## **Excellent Integrated System Limited**

Stocking Distributor

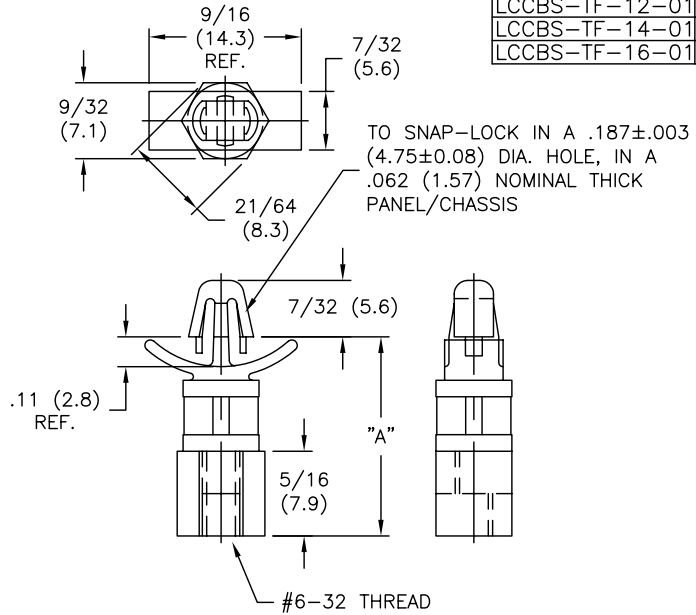
Click to view price, real time Inventory, Delivery & Lifecycle Information:

[Essentra Components \(formerly Richco, Inc.\)](#)  
[LCCBS-TF-9-01](#)

For any questions, you can email us directly:  
[sales@integrated-circuit.com](mailto:sales@integrated-circuit.com)

AVAILABLE BY SPECIAL ORDER ONLY

PART NO. NYLON	DIM. "A" ±.015(0.4)
LCCBS-TF-9-01	.534 (13.56)
LCCBS-TF-10-01	.672 (17.07)
LCCBS-TF-12-01	.797 (20.24)
LCCBS-TF-14-01	.922 (23.42)
LCCBS-TF-16-01	1.047 (25.40)



NOTES:

- MATERIAL: NYLON 6/6 (RMS-01)  
FLAME RETARDANT, NYLON (RMS-19),  
AVAILABLE BY SPECIAL ORDER ONLY..  
COLOR: NATURAL.
- DIM. "A" WILL PRODUCE A BOARD  
SPACING EQUAL TO DIM. "A" OF ANY  
CORRESPONDING TM OR TF SERIES  
SPACERS WHEN USED IN A .047  
(1.2) PANEL THICKNESS.1
- M-4X.70 THREAD AVAILABLE BY ADDING M4  
(SPECIAL ORDER ONLY)  
EXAMPLE: LCCBS-TF-M4-9-01

TITLE: LOCKING CHASSIS/CKT. BD. SUPPORT THREADED FEMALE		DWG IN IN (MM)		FINAL	
TOLERANCES UNLESS NOTED .XX=±.010 .XXX=±.005 FRAC=1/64 ANG=1°		FILE # LCCBS-TF	DWN: P.B.	APP:	
RE: RICHCO, INC.		DT: 07-06-94 DT:		PART #	PRINT TYPE
		RICHCO INC. PO BOX 804238, CHICAGO, 60680 (773) 539-4060		SEE TABLE	CA

REV	DESCRIPTION	ENGR	DATE
D	CHANGED FILE NUMBER	SM	08.07.02
C	FR-NYLON REMOVED FROM CHART	J.L.	2.24.98
B	MAT'L RMS-19 ADDED	J.L.	12.29.97
A	CHANGED CHART NAD ADD DIMS	JB	09.27.95