



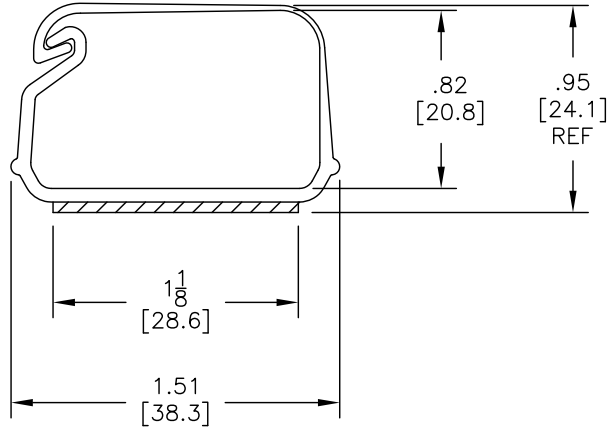
Excellent Integrated System Limited

Stocking Distributor

Click to view price, real time Inventory, Delivery & Lifecycle Information:

[Essentra Components \(formerly Richco, Inc.\)](#)
[SRL1-10-WH6A](#)

For any questions, you can email us directly:
sales@integrated-circuit.com



NOTES:

1. MATERIAL: RIGID PVC (RMS-04)
2. COLOR: WHITE
3. TAPE: 1-1/8 X 1/32 ACRYLIC ADHESIVE (RMS-15)
4. WALL THICKNESS: .060±.010 TYP.
5. LENGTH: 72±.25

D		SEE CO 200280 FOR CHANGES	SK 11.12.08	TOLERANCES UNLESS NOTED .XX=±.02 .XXX=±.015 FRAC=±1/32 ANG=1°	FILE #	SRL-10	DWN: DLC	DT: 10/04/01	DWG IN IN.[MM]	PRINT TYPE
C		SEE CO 200204 FOR CHANGES	SK 06.25.08		MAT'L: SEE NOTES:	CHKD:	ENG:	FINAL		
B		ADDED .82 DIMENSION	SJ 4.30.02		RE:	RICHCO, INC	RICHCO INC.	ENG@RICHCO-INC.COM	PART #	CA
A		REVISED 1.125 TO 1-1/8	DLC 3.07.02				(773) 539-4060		SRL1-10-WH6A	
REV		DESCRIPTION	ENGR DATE							