

Excellent Integrated System Limited

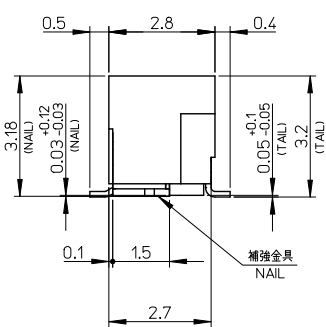
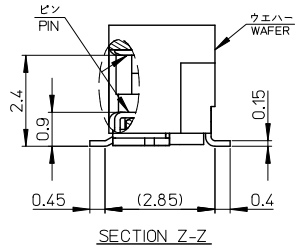
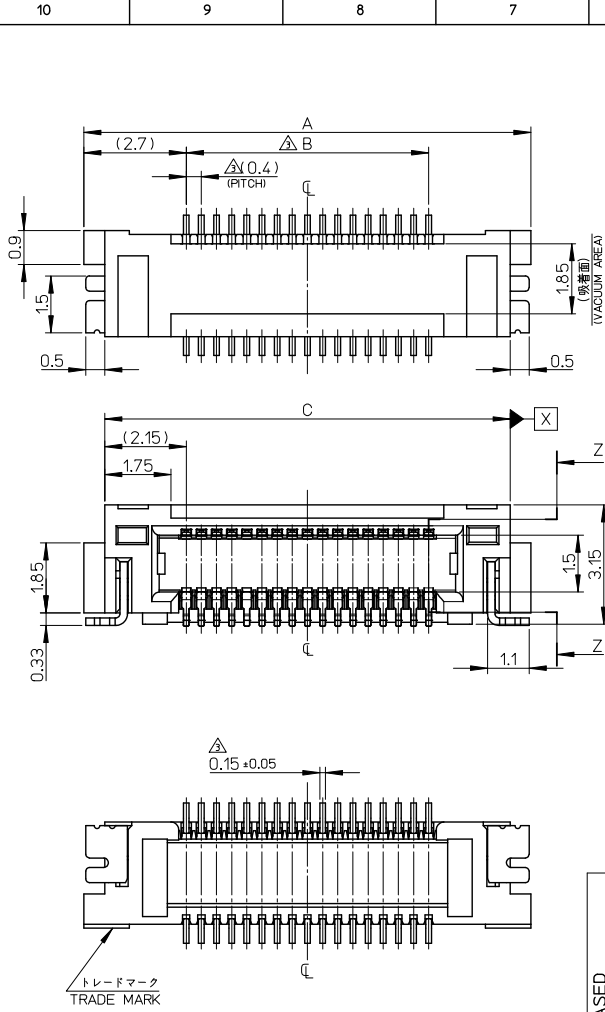
Stocking Distributor

Click to view price, real time Inventory, Delivery & Lifecycle Information:

[Molex Connector Corporation](#)
[5033765020](#)

For any questions, you can email us directly:

sales@integrated-circuit.com



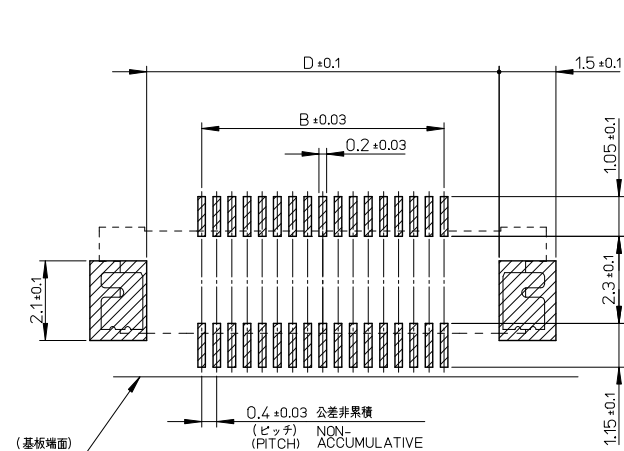
注記 NOTES

1. 使用材料 MATERIAL
 ウェハ: 液晶ポリマー ガラス充填 UL94V-0 黒色
 WAFER: LIQUID CRYSTAL POLYMER, GLASS FILLED, UL94V-0, COLOR BLACK
 ピン: リン青銅 (t=0.15)
 PIN: PHOSPHOR BRONZE (t=0.15)
 補強金具: リン青銅 (t=0.2)
 FITTING NAIL: PHOSPHOR BRONZE (t=0.2)
2. メッキ仕様 PLATING
 ピン PIN
 金メッキ
 (コンタクト部とテール部)
 GOLD PLATING
 (CONTACT AND TAIL AREA)
 下地メッキ: ニッケルメッキ 1.5μm 以上
 UNDER PLATING: NICKEL 1.5 MICROMETER MINIMUM.
 補強金具 FITTING NAIL
 鍍メッキ 1.0μm 以上
 TIN PLATING 1.0 MICROMETER MINIMUM.
 下地メッキ: ニッケルメッキ 1.0μm 以上
 UNDER PLATING: NICKEL 1.0 MICROMETER MINIMUM.
3. テール部に適用。
 APPLY TO THE TAIL AREA.
4. 嵌合相手: 54552 シリーズ
 MATE WITH: 54552 SERIES.
5. テール平坦度は、0.08 以下
 テール及び金具の平坦度は、0.1 以下
 TAIL COPLANARITY TO BE 0.08 MAXIMUM
 TAIL AND FITTING NAIL COPLANARITY TO BE 0.1 MAXIMUM
6. ELV 及び RoHS 適合品
 ELV AND RoHS COMPLIANT
7. 本製品は 503376-**19 のボス無し品である。
 THIS PRODUCT IS NON-BOSS VERSION OF 503376-**19.

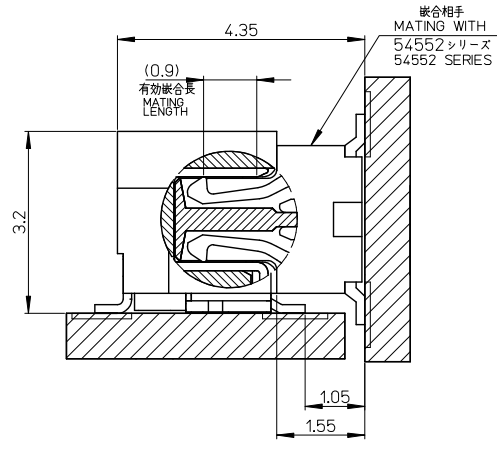
12.5	13.9	9.6	15	503376-5020	50
D	C	B	A	EMBOSSED TAPE PKG.	極数 CIRCUITS
ORDER No. オーダー番号					503376-**29

RELEASED EC NO: J2013-0242 DRW: GMATSUNO 2012/08/31 CHKD: TASAKAWA 2012/08/31 APPR: TASAKAWA 2012/08/31	GENERAL TOLERANCES (UNLESS SPECIFIED)		DIMENSION STYLE MM ONLY		SCALE ---	DESIGN UNITS METRIC	THIRD ANGLE PROJECTION
	10 UNDER	± 0.2	DRAWN BY GMATSUNO	DATE 2012/08/27	TITLE 0.4 B-TO-B CONN. RA PLUG NAIL ASSY (WITHOUT BOSS)		
	10 OVER 30 UNDER	± 0.25	CHECKED BY TASAKAWA	DATE 2012/08/27			
	30 OVER	± 0.3	APPROVED BY TASAKAWA	DATE 2012/08/31			
ANGULAR ± 3 °		MATERIAL NO.		DOCUMENT NO.	SHEET NO.		
DRAFT WHERE APPLICABLE MUST REMAIN WITHIN DIMENSIONS		SEE CHART		SD-503376-003	1 OF 2		
SIZE A3 THIS DRAWING CONTAINS INFORMATION THAT IS PROPRIETARY TO MOLEX INCORPORATED AND SHOULD NOT BE USED WITHOUT WRITTEN PERMISSION							

10 9 8 7 6 5 4 3 2 1



(基板端面)
(PWB EDGE)
推奨基板レイアウト(マウント面)
RECOMMENDED P.W.BOARD
PATTERN DIMENSION. (REFERENCE)
(MOUNTING AREA)



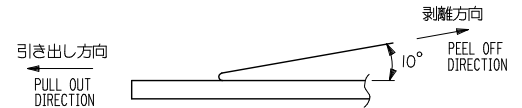
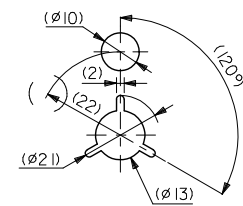
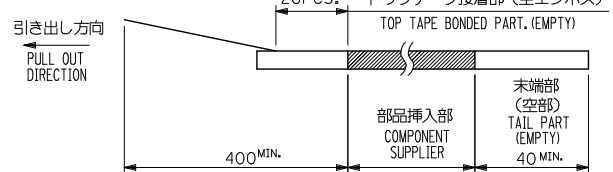
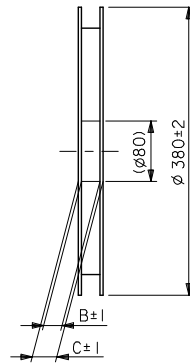
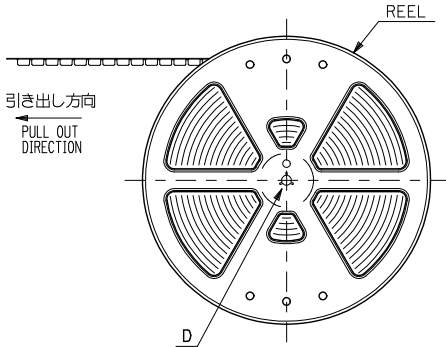
嵌合断面 (参考)
MATED DRAWING(REFERENCE)

RELEASED IEC NO. J2013-0242 DRAWN BY GMATSUNO 2012/08/31 CHECKED BY CHIKO-TASAKAWA 2012/08/31 APPR. BY TASAKAWA 2012/08/31 REV 0	GENERAL TOLERANCES (UNLESS SPECIFIED)		DIMENSION STYLE MM ONLY		CONNECTOR SERIES No. 503376-***29
	10 UNDER ± 0.2	30 UNDER ± 0.25	DRAWN BY GMATSUNO 2012/08/27	DATE 2012/08/27	SCALE --- DESIGN UNITS METRIC
	10 OVER ± 0.2	30 OVER ± 0.3	CHECKED BY TASAKAWA 2012/08/27	DATE 2012/08/27	TITLE 0.4 B-TO-B CONN. RA PLUG NAIL ASSY (WITHOUT BOSS)
	ANGULAR ± 3 °	DRAFT WHERE APPLICABLE MUST REMAIN WITHIN DIMENSIONS	APPROVED BY TASAKAWA 2012/08/31	DATE 2012/08/31	THIRD ANGLE PROJECTION
SEE CHART		MATERIAL NO.		DOCUMENT NO. SD-503376-003	SHEET NO. 2 OF 2
THIS DRAWING CONTAINS INFORMATION THAT IS PROPRIETARY TO MOLEX INCORPORATED AND SHOULD NOT BE USED WITHOUT WRITTEN PERMISSION					

9 8 7 6 5 4 3 2

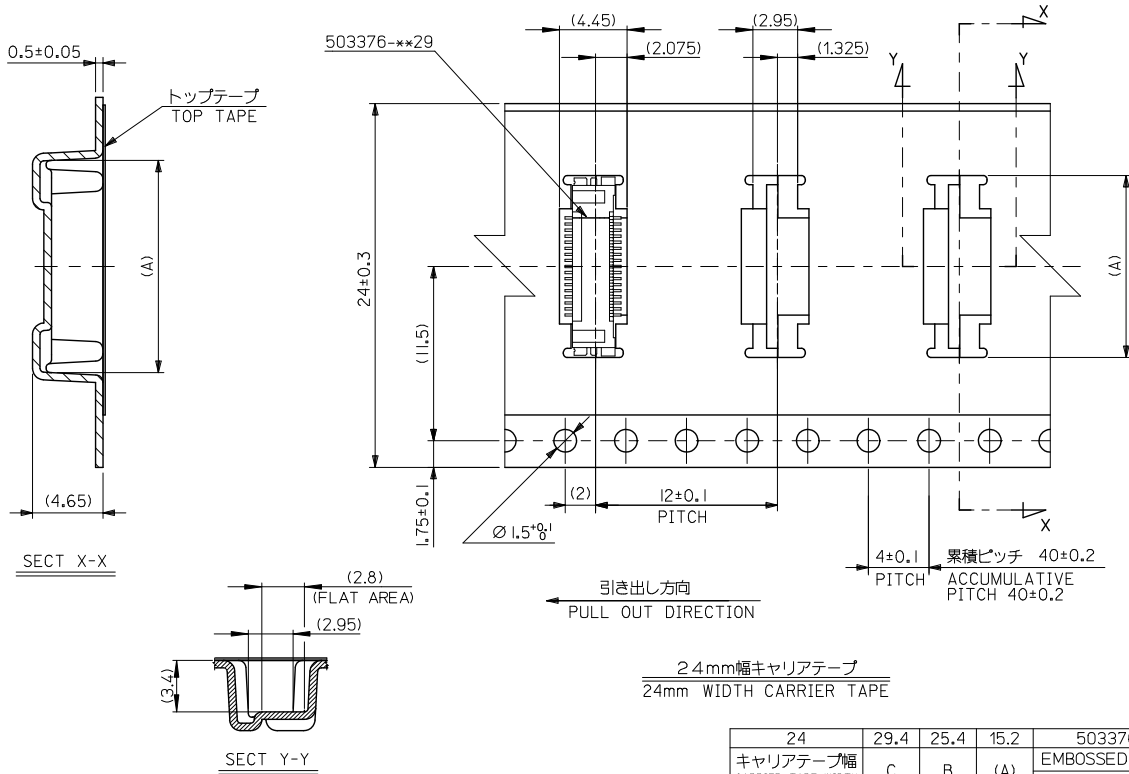
NOTES

- 製品詳細寸法については SD-503376-003 を参照ください。
RE DETAILED DIMENSION, SEE SD-503376-003
- 梱包数量: 1500個/リール
NUMBER OF CONNECTORS: 1500PCS/REEL
- リードテープ長さ LEAD TAPE LENGTH
20PCS, MIN. トップテープ接着部 (空エンボス)
TOP TAPE BONDED PART. (EMPTY)
400MIN. 部品挿入部 COMPONENT SUPPLIER 末端部 (空部) TAIL PART (EMPTY) 40MIN.
- トップテープの剥離強度: 0.1 ~ 1.3N (10 ~ 130gf) (剥離方向は下図参照) 尚、本規格値は出荷時に適用。(但し、輸送時に剥離が発生しないこと。)
PEELING OFF FORCE OF TOP TAPE: 0.1 ~ 1.3N (10 ~ 130gf)
(PEELING DIRECTION AS SHOWN IN FOLLOWING FIG.)
THIS REQUIREMENT SHOULD BE APPLIED AT SHIPMENT.
PEEL OFF SHOULD NOT BE ALLOWED, DURING TRANSPORTATION.
- 材料 (MATERIAL)
キャリアテープ (CARRIER TAPE): ポリプロピレン (POLYPROPYLENE)
トップテープ (TOP TAPE): PET, PE, PEF
リール (REEL): ポリスチレン (PS) (リサイクル材を含む)
POLYSTYRENE (PS) <RECYCLE MATERIAL CONTAINED>
- ELV 及び RoHS 適合品
ELV AND RoHS COMPLIANT.
- 本製品は、503376-**10 のボス無し品である。
THIS PRODUCT IS NON-BOSS VERSION OF 503376-**10.



RELEASED EC NO. J2013-0242 DRW: GMATSUNO 2012/08/31 CHKD: TASAKAWA 2012/08/31 APPR: TASAKAWA 2012/08/31 REV: 0	GENERAL TOLERANCES (UNLESS SPECIFIED)		DIMENSION STYLE		SCALE	DESIGN UNITS	THIRD ANGLE PROJECTION
			MM ONLY		---	METRIC	⊙ □
	10 UNDER	± 0.2	DRAWN BY	DATE	TITLE		
	10 OVER 30 UNDER	± 0.25	GMATSUNO	2012/08/27	EMBSTP PKG FOR 0.4 B/B CONN. RA PLUG NAIL ASSY WITHOUT BOSS		
30 OVER	± 0.3	CHECKED BY	DATE	DOCUMENT NO.			
ANGULAR	± 3 °	TASAKAWA	2012/08/27	SD-503376-004			
DRAFT WHERE APPLICABLE MUST REMAIN WITHIN DIMENSIONS		APPROVED BY	DATE	SHEET NO.			
		TASAKAWA	2012/08/31	1 OF 2			
		SEE CHART		THIS DRAWING CONTAINS INFORMATION THAT IS PROPRIETARY TO MOLEX INCORPORATED AND SHOULD NOT BE USED WITHOUT WRITTEN PERMISSION			

10 9 8 7 6 5 4 3 2 1



24	29.4	25.4	15.2	503376-5020	50
キャリアテープ幅 CARRIER TAPE WIDTH	C	B	(A)	EMBOSSED TAPE PKG.	極数 CIRCUITS
				ORDER No. オーダー番号	

RELEASED EC NO. J2013-0242 DRAWN BY GMATSUNO 2012/08/31 CHKD: TASAKAWA 2012/8/31 APPR: TASAKAWA 2012/08/31 REV O	GENERAL TOLERANCES (UNLESS SPECIFIED)		DIMENSION STYLE	SCALE	MODEL NO.	503376-5020
	10 UNDER	± 0.2	MM ONLY	---	DESIGN UNITS	◎ THIRD ANGLE PROJECTION
	10 OVER 30 UNDER	± 0.25			METRIC	
	30 OVER	± 0.3				
	ANGULAR	± 3 °			TITLE	EMBSTP PKG FOR 0.4 B/B CONN. RA PLUG NAIL ASSY WITHOUT BOSS
	DRAFT WHERE APPLICABLE MUST REMAIN WITHIN DIMENSIONS		SEE CHART		DOCUMENT NO.	SD-503376-004
			SIZE A3	THIS DRAWING CONTAINS INFORMATION THAT IS PROPRIETARY TO MOLEX INCORPORATED AND SHOULD NOT BE USED WITHOUT WRITTEN PERMISSION		

9 8 7 6 5 4 3 2