



Distributor of Molex Connector Corporation: Excellent Integrated System Limited
Datasheet of 0743232001 - Connector Plug DVI-D Single Link 18 Position Through Hole,
Vertical

Contact us: sales@integrated-circuit.com Website: www.integrated-circuit.com

Excellent Integrated System Limited

Stocking Distributor

Click to view price, real time Inventory, Delivery & Lifecycle Information:

[Molex Connector Corporation](#)
[0743232001](#)

For any questions, you can email us directly:
sales@integrated-circuit.com

Contact us: sales@integrated-circuit.com Website: www.integrated-circuit.com

NOTES:

1. MATERIALS:

HOUSING: HIGH TEMPERATURE PLASTIC, UL 94V-0, COLOR: BLACK
TERMINAL: COPPER ALLOY
SHIELD: STEEL ALLOY

2. FINISH:

TERMINAL: GOLD PLATING OVER 1.27 MICROMETER(50u") NICKEL IN CONTACT AREA,
3.81 MICROMETER (150u") PURE TIN OVER 1.27 MICROMETER (50u") NICKEL AT SOLDERING AREA,
BACK SHIELD: 3.81 MICROMETER (150u") BRIGHT TIN OVER 1.27 MICROMETER (50u") NICKEL OVER COPPER FLASH OVERALL,
FRONT SHIELD: 1.27 MICROMETER (50u") SOLDERING NICKEL OVER COPPER FLASH OVERALL.

3. PRODUCT SPECIFICATION: PS-74320-001.

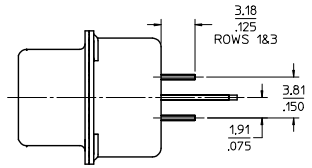
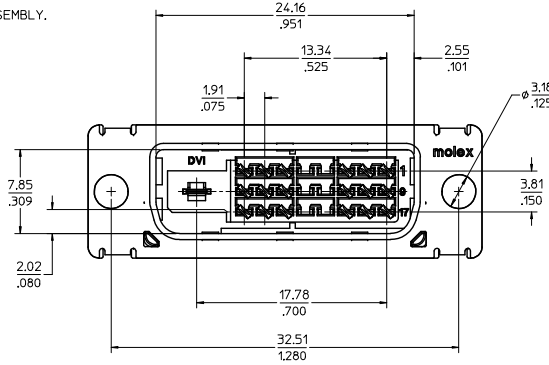
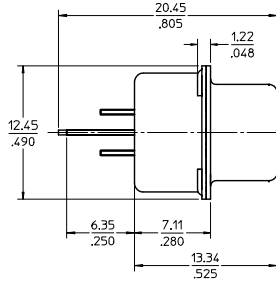
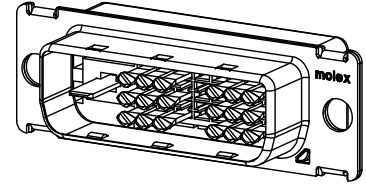
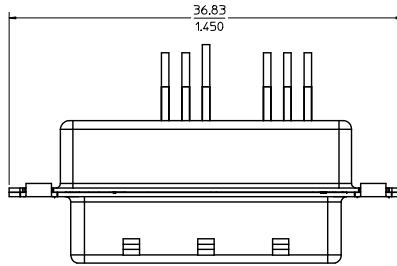
4. PACKAGING: PARTS ARE TO BE PACKAGED 40 PCS PER TRAY.

5. THE LOADED CIRCUITS SEE THE CHART.

6. THE TEXTS ARE SHOWN FOR REFERENCE ONLY.

7. THE DIMENSION SHOWN ON SHEET 1 REFLECT THE DVI-D SINGLE AND DUAL CHANNEL SUB-ASSEMBLY.

THE DIMENSION SHOWN ON SHEET 2 REFLECT THE DVI-I SUB-ASSEMBLY.
FOR ALL OTHER DIMENSION REFER TO SHEET 1.

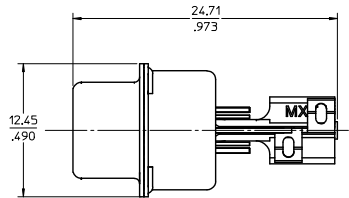
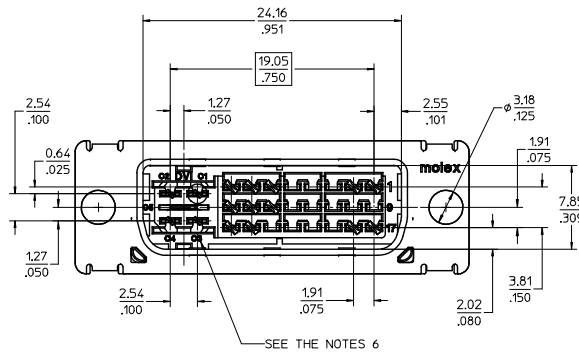
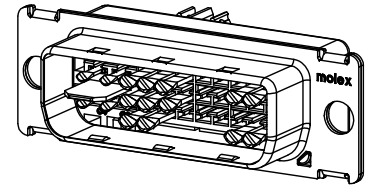
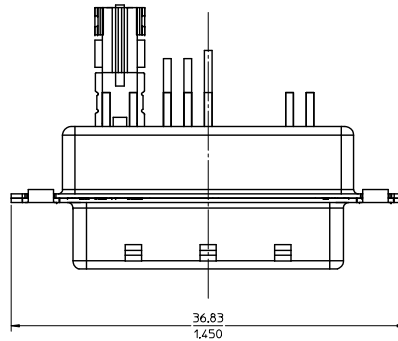


FINISH

| | | | | | | | | |
|--|---|-------------------|---|-----------------|--------------|--------------|------------------------|--|
| CHANGE FRONT SHELL EC NO: SH2016-0197 DRAWN: XIAOZHANG CHKD: XIAOZHANG APPR: ATIN REV | DESCRIPTION 2015/12/07 2015/12/07 2016/01/18 | QUALITY SYMBOLS | GENERAL TOLERANCES (UNLESS SPECIFIED) | DIMENSION STYLE | SCALE | DESIGN UNITS | THIRD ANGLE PROJECTION | |
| | | ▽=0 ▽=0 ▽=0 | mm INCH 4 PLACES ± --- ± --- 3 PLACES ± --- ± .010 2 PLACES ± 0.25 ± --- 1 PLACE ± --- ± --- 0 PLACE ± ± | IN/MM | 4:1 | INCH | THIRD ANGLE PROJECTION | |
| DRAWN BY DATE JASON 99/09/12 | | | MATERIAL NO. | | DOCUMENT NO. | SHEET NO. | | |
| CHECKED BY DATE RAFF 99/09/22 | | | SEE SHEET 2 | | SD-74323-003 | 1 OF 2 | | |
| APPROVED BY DATE MEGA 99/09/22 | | | DRAFT WHERE APPLICABLE MUST REMAIN WITHIN DIMENSIONS | | | | | INCORPORATED AND SHOULD NOT BE USED WITHOUT WRITTEN PERMISSION |
| <p>DVI HIGH VOLUME PLUG CONNECTOR SUB-ASSEMBLY</p> <p>molex</p> | | | | | | | | |

Contact us: sales@integrated-circuit.com Website: www.integrated-circuit.com

| PART NUMBER | DESCRIPTION | LOADED CIRCUITS REF. |
|-------------|----------------------------|--|
| 74323-2001 | DVI-D Au FLASH SINGLE LINK | 1-3,6-8,9-11,14-16,17-19,22-24, WITH KEY |
| 74323-2003 | DVI-D Au FLASH DUAL LINK | 1-24, WITH KEY |
| 74323-2031 | DVI-I Au FLASH SINGLE LINK | 1-3,6-8,9-11,14-16,17-19,22-24, C1,C2,C3,C4,C5 |
| 74323-2033 | DVI-I Au FLASH DUAL LINK | 1-24, C1,C2,C3,C4,C5 |



| | | | | | | |
|---|-----------------|---------------------------------------|------------------|---------------|--|---|
| SEE SHEET 1 IEC NO: SH2016-0197 T1 DRAWING: CHIKOZHANG APPROVAL IN: 2016/01/18 | QUALITY SYMBOLS | GENERAL TOLERANCES (UNLESS SPECIFIED) | DIMENSION STYLE | SCALE | DESIGN UNITS | THIRD ANGLE PROJECTION |
| | ▽=0 | mm INCH | IN/MM | 4:1 | INCH | |
| | ▽=0 | 4 PLACES ± | DRAWN BY JASON | DATE 99/09/12 | TITLE | DVI HIGH VOLUME PLUG CONNECTOR SUB-ASSEMBLY |
| | ▽=0 | 3 PLACES ±.010 | CHECKED BY RAFF | DATE 99/09/22 | molex DOCUMENT NO. SD-74323-003 SHEET NO. 2 OF 2 | |
| | 2 PLACES ±0.25 | 1 PLACE ± | APPROVED BY MEGA | DATE 99/09/22 | MATERIAL NO. SEE TABLE DRAFT WHERE APPLICABLE MUST REMAIN WITHIN DIMENSIONS SIZE A Z THIS DRAWING CONTAINS INFORMATION THAT IS PROPRIETARY TO MOLEX INCORPORATED AND SHOULD NOT BE USED WITHOUT WRITTEN PERMISSION | |