

Excellent Integrated System Limited

Stocking Distributor

Click to view price, real time Inventory, Delivery & Lifecycle Information:

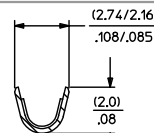
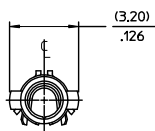
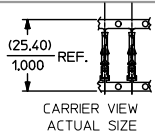
[Molex Connector Corporation](#)

[0002061104](#)

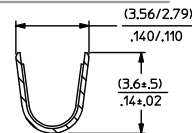
For any questions, you can email us directly:

sales@integrated-circuit.com

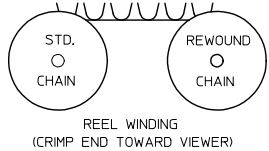
PART NO.	ENG. NO.
02-06-1104	4529-(P901)
02-06-1105	4529-(P901)L
02-06-5117	4529-(P231)
02-06-5118	4529-(P231)L
NOT TOOLED	4529-1(P901)L



SECT. "B-B"
SCALE:10X

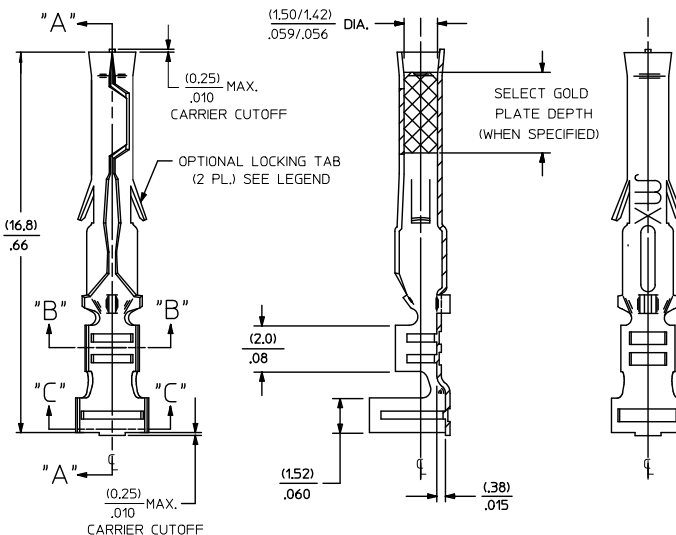


SECT. "C-C"
SCALE:10X



LEGEND

4529-*(***)*
 BLANK= WITH LOCKING TABS
 1-WITHOUT LOCKING TABS
 P=PREPLATE
 BLANK=POSTPLATE
 FINISH CODE
 FORM
 BLANK=STD. CHAIN
 A=REWOUND CHAIN
 L=LOOSE



SECT. "A-A"

NOTES:

- MATERIAL: PHOSPHOR BRONZE
- FINISH:
901 HOT TIN DIP (.00051)/.000020 MIN.
231 SELECT GOLD PLATE (.00125)/.000050 MIN. IN CONTACT AREA. SELECT TIN (.00250)/.000100 MIN. IN CRIMP AREA OVER/.00125/.000050 MIN. NICKEL OVERALL.
- PRODUCT SPECIFICATION: PS-02-06
- PACKAGING SPECIFICATION: NOT AVAILABLE
- TERMINALS FOR USE WITH (1.57)/.062 DIA. SERIES HOUSINGS AND WILL ACCEPT 18 THRU 24 AWG WIRE WITH (1.52/3.05)/.060/.120 INSULATION DIA.

REVISE NOTE 2 EC NO. LEP 2015-0104 DRAWN/DRAWN BY 20/1/07/14 CHECKED/CHECKER 20/4/07/14 APPROVED/APP. 20/4/07/14	QUALITY SYMBOLS ▽=0 ▽=0 ▽=0	GENERAL TOLERANCES (UNLESS SPECIFIED)		DIMENSION STYLE IN/MM		SCALE 8:1	DESIGN UNITS INCH	THIRD ANGLE PROJECTION
		mm	INCH	DRAWN BY	DATE			
11		4 PLACES ± --- ± ---	± .005	GEP	1987/08/17	CRIMP TERMINAL, FEMALE .062 DIA., PHOS. BRONZE FOR 18 THRU 24 GA. WIRE	SD-4529-*	SHEET NO. 1 OF 1
		3 PLACES ± --- ± .005	± .005	CHECKED BY	DATE			
		2 PLACES ± 0.13 ± .010	± .010	PW	1987/08/17			
		1 PLACE ± 0.25 ± ---	± ---	APPROVED BY	DATE			
		0 PLACE ± ±	±	RAS	1987/08/17			
DRAFT WHERE APPLICABLE MUST REMAIN WITHIN DIMENSIONS		ANGULAR ±1/2°		MATERIAL NO. SEE CHART		DOCUMENT NO.		
THIS DRAWING CONTAINS INFORMATION THAT IS PROPRIETARY TO MOLEX INCORPORATED AND SHOULD NOT BE USED WITHOUT WRITTEN PERMISSION								