

Excellent Integrated System Limited

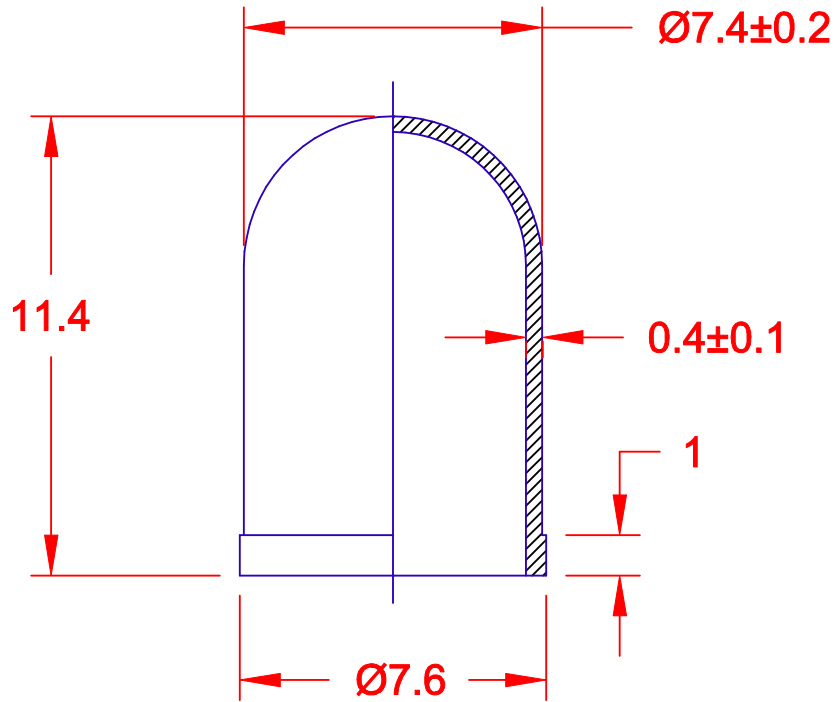
Stocking Distributor

Click to view price, real time Inventory, Delivery & Lifecycle Information:

[JKL Components Corporation](#)
[39-09-3B](#)

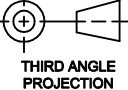
For any questions, you can email us directly:

sales@integrated-circuit.com



JKL PART NUMBER	COLOR
39-09-1*	RED
39-09-2*	ORANGE
39-09-3*	YELLOW
39-09-4*	GREEN
39-09-5*	BLUE
39-09-6*	BLUE-WHITE
39-09-7*	WHITE

*TO BE DETERMINED

			METRIC  THIRD ANGLE PROJECTION		DIMENSIONS ARE IN MILLIMETERS TOLERANCE UNLESS OTHERWISE SPECIFIED 1 PL +/- 0.3 2 PL +/- 0.30 ANGLE +/-		JKL COMPONENTS CORPORATION									
					TITLE LAMP FILTER											
			DRAWN BY L. WENGSTROM		APPVD BY DATE ED 1/16/01		SIZE A		FSCM NO. 55335		DRAWING NO. FILTER 39-09					
REV. NO.			DESCRIPTION/ECO NUMBER		APPVD DATE		SCALE NONE		RELEASED DATE 1/16/01		REVISION DATE		REV. NO.		SHEET 1 OF 1	
RELEASED			1/16/01		- CAD DRAWING - MANUAL REVISIONS NOT PERMITTED											