

## **Excellent Integrated System Limited**

Stocking Distributor

Click to view price, real time Inventory, Delivery & Lifecycle Information:

[TE Connectivity AMP Connectors](#)  
[1278032-5](#)

For any questions, you can email us directly:

[sales@integrated-circuit.com](mailto:sales@integrated-circuit.com)

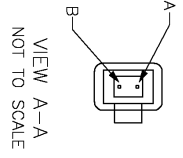
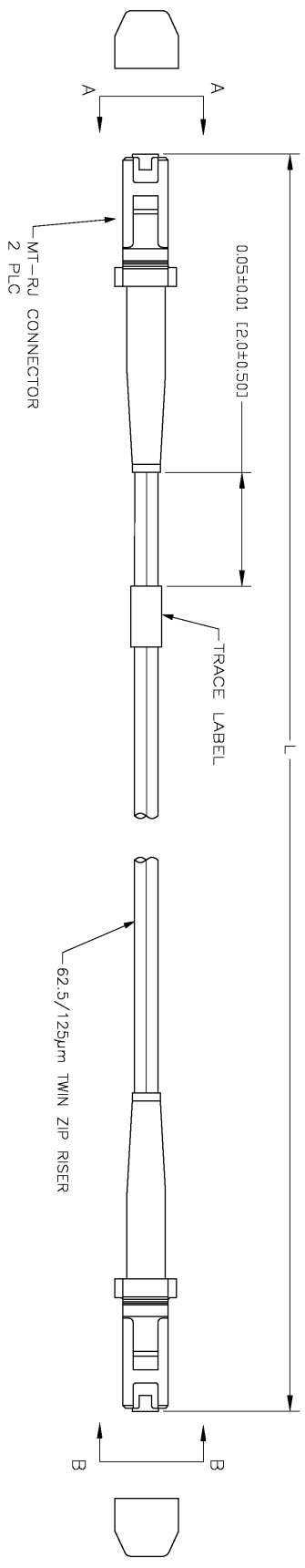


THIS DRAWING IS UNCLASSIFIED.  
 © COPYRIGHT 19 BY AMP INCORPORATED. ALL RIGHTS RESERVED.

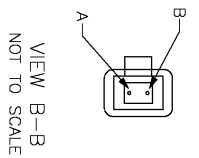
LOC: CE 16  
 DWT: 16  
 T: T  
 REV PER EC: 0440-0096-03  
 DATE: 20MAR03  
 DWT: DLF TD

REVISED		DATE	DWT
1	DESCRIPTION		
2	DESCRIPTION		
3	DESCRIPTION		
4	DESCRIPTION		

1. DIMENSIONS IN [ ] ARE IN INCHES  
 [A] MAXIMUM CONNECTOR LOSS IS EQUAL TO 0.50 DB PLUS CABLE ATTENUATION.



FIBER PATH	
LEFT CONNECTOR	RIGHT CONNECTOR
A	B
B	A



1278032

THIS DRAWING IS A CONTROLLED DOCUMENT

DATE: 04/09/03	BY: J. SMARTZBAUGH	CHKD: C. KRAVITZ	DATE: 04/09/03
APPROVED:	DATE:	NAME:	DATE:

AMP Incorporated  
 Harrisburg, PA 17105-3608

NAME: AMP  
 PRODUCT: CABLE ASSY, FIBER OPTIC, 62.5/125µm, TWIN ZIP RISER, MT-RJ TO MT-RJ, OPTIMATE

SIZE: A2  
 QAE CODE: 1278032  
 DRAWING NO: 1278032

RESTRICTED TO: CUSTOMER DRAWING

SCALE: NTS  
 SHEET: 1 OF 2  
 REV: T

AMP 1471-8 REV 2/2003



Distributor of TE Connectivity AMP Connectors: Excellent Integrated System Limited  
 Datasheet of 1278032-5 - CABLE ASSEM FIBER OPTIC BLK

4

3

2

1

THIS DRAWING IS UNPUBLISHED. RELEASED FOR PUBLICATION. COPYRIGHT 19 BY AMP INCORPORATED. ALL RIGHTS RESERVED.

LOC	QTY	REV	DATE	BY	APP'D
CE	16	T	REV PER EC	CA40-0096-03	20MAR03 DLF TD

0.50	0.31±0.05	[12.0±2.0]	9-1278032-9
0.51	7.62±0.08	[300±3.0]	9-1278032-8
0.50	0.61±0.05	[24.0±2.0]	9-1278032-7
0.50	0.50±0.05	[19.7±2.0]	9-1278032-6
0.50	1.50±0.05	[59.1±2.0]	9-1278032-5
0.50	2.50±0.05	[98.4±2.0]	9-1278032-4
1.25	500.00±5.00	[19,658.03±196.9]	9-1278032-3
0.80	200.00±2.00	[7874.01±78.74]	9-1278032-2
0.65	100.00±1.00	[3937.01±39.37]	9-1278032-1
0.62	80.00±0.80	[3149.61±31.50]	8-1278032-0
0.61	76.00±0.76	[2992.13±29.92]	7-1278032-6
0.61	75.00±0.75	[2952.76±29.53]	7-1278032-5
0.60	68.00±0.68	[2677.17±26.77]	6-1278032-8
0.60	66.00±0.66	[2598.43±25.98]	6-1278032-6
0.59	61.0±0.6	[2402±24]	6-1278032-1
0.58	55.00±0.55	[2165.35±21.65]	5-1278032-5
0.58	50.00±0.50	[1968.50±19.69]	5-1278032-0
0.57	45.00±0.45	[1771.85±17.72]	4-1278032-5
0.56	40.00±0.40	[1574.80±15.75]	4-1278032-0
0.55	31.0±0.3	[1220.0±12.0]	3-1278032-1
0.55	30.00±0.30	[1181.10±11.81]	3-1278032-0
0.54	24.00±0.30	[944.88±11.81]	2-1278032-4
0.53	20±.3	[787±12.0]	2-1278032-0
0.52	15.0±0.15	[590.6±6]	1-1278032-5
0.52	13.0±0.15	[511.8±6.0]	1-1278032-3
0.52	12.0±0.15	[472.4±6.0]	1-1278032-2
0.52	10.0±0.15	[393.7±6]	1-1278032-0
0.51	8.0±0.15	[315.0±6.0]	1278032-8
0.51	7.0±0.08	[275.6±3]	1278032-7
0.51	6.0±0.08	[236.2±3]	1278032-6
0.51	5.0±0.08	[196.9±3]	1278032-5
0.51	4.0±0.08	[157.5±3.0]	1278032-4
0.50	3.0±0.05	[118.1±2.0]	1278032-3
0.50	2.0±0.05	[78.7±2.0]	1278032-2
0.50	1.0±0.05	[39.4±2.0]	1278032-1
CONNECTOR LOSS (dB)			L
			PART NUMBER

THIS DRAWING IS A CONTROLLED DOCUMENT.		DRW: C. KRAYBILL	CHKD: J. SWARTZBAUGH	DATE: 04/02/03	REV: 1
DIMENSIONS: METERS		TOLERANCES UNLESS OTHERWISE SPECIFIED:		MATERIAL: -	
		FINISH: - WEIGHT: - APPLICATION SPEC: - PRODUCT SPEC: - SCALE: A2		DRAWING NO: 1278032 SHEET: 2 OF 2 REV: T	
AMP 1471-9 REV 231285		AMP Incorporated Harrisburg, PA 17105-3608		CABLE ASSY, FIBER OPTIC, B2.5/125um, TWIN ZIP RISER, MT-RJ TO MT-RJ, OPTIMATE	

18JAN99

1278032