

## Excellent Integrated System Limited

Stocking Distributor

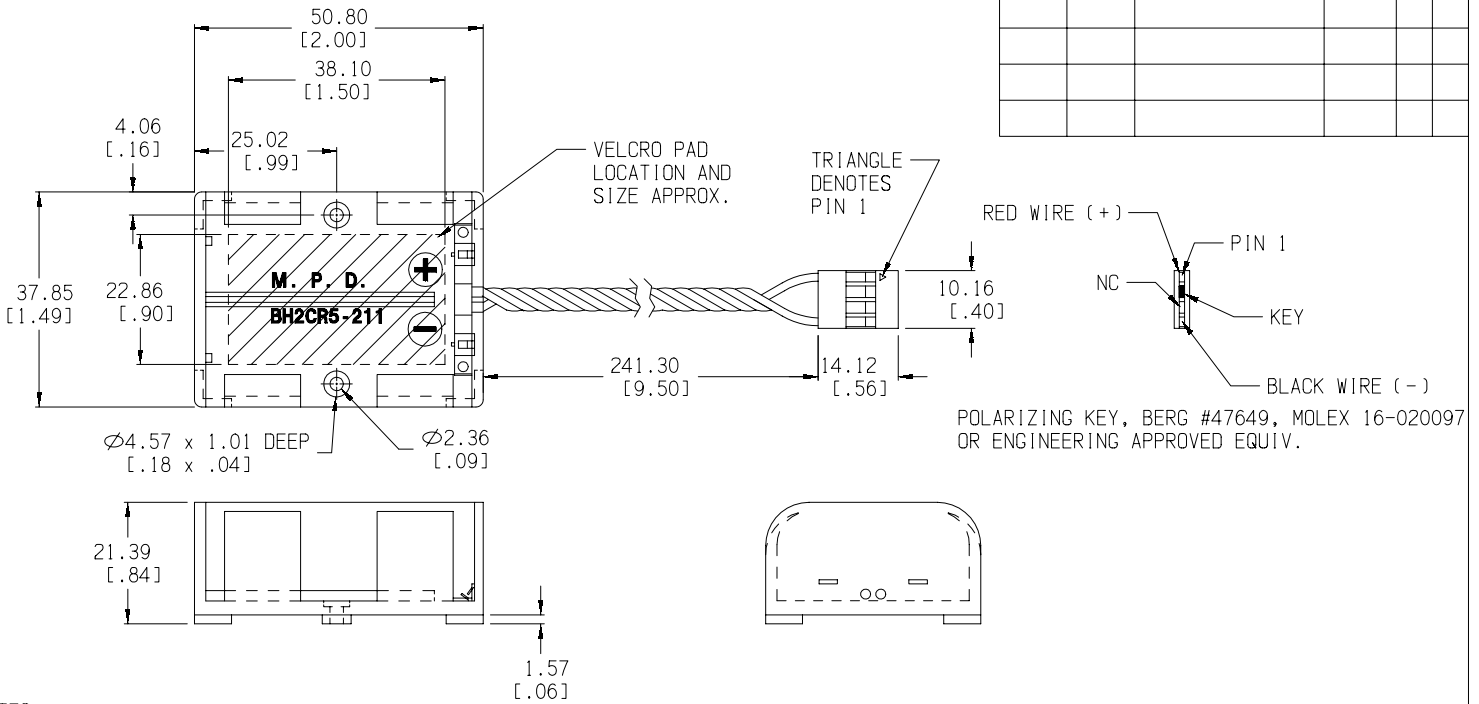
Click to view price, real time Inventory, Delivery & Lifecycle Information:

[Memory Protection Devices](#)  
[BH2CR5-211](#)

For any questions, you can email us directly:

[sales@integrated-circuit.com](mailto:sales@integrated-circuit.com)


Date	SYM	REVISION RECORD	AUTH	DR	CK



NOTES:

MATERIAL:

HOUSING: HIGH IMPACT ABS, BLACK, UL94V-0  
 TEMP. RANGE: -40°C TO +110°C  
 POWER CONTACTS: PHOSPHORUS BRONZE HV190,  
 NICKLE PLATED  
 WIRE: 24AWG PVC, UL1007, #E41396, CSA #TR-64  
 80°C 300V, RED (+), BLACK (-), AWM VW-1, TWISTED  
 CONNECTOR: BERG, MOLEX OR EQUIV.  
 BERG #65039-033, MOLEX #50-57-9004 OR EQUIV.  
 FEMALE 4-PIN CONNECTOR. PIN CENTERS=.100".  
 CONTACTS: BERG, MOLEX OR EQUIV.  
 BERG #47565, MOLEX #16-02-0097  
 SELECT GOLD IN MATING AREA, NICKLE PLTD. OVERALL.

Tolerance (Inches)	 Memory Protection Devices, Inc. 200 Broad Hollow Road, Farmingdale, New York 11735	Scale	Drawn By B.S.
Decimal ±.5 (.020)		Approved By T.B.	
Fractional ±.8 (.030)	Title 2CR5 BATTERY HOLDER WITH POLARIZING KEY	Date 04/02/01	Drawing Number BH2CR5-211
Angular ± 3°			