

Excellent Integrated System Limited

Stocking Distributor

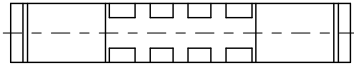
Click to view price, real time Inventory, Delivery & Lifecycle Information:

[Molex Connector Corporation](#)
[15-25-1203](#)

For any questions, you can email us directly:

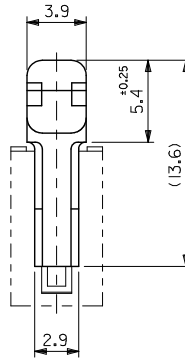
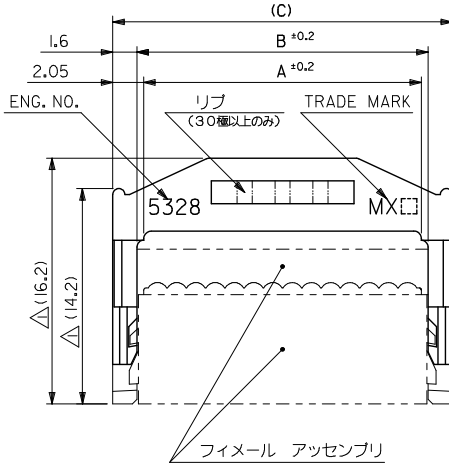
sales@integrated-circuit.com

10 9 8 7 6 5 4 3 2 1



注記

- △ フィメール アッセンブリ (仮想線) に取り付けられた時の寸法を示す。
- 2. 適合フィメール アッセンブリ : 5320 シリーズ
- 3. 材質 : PBTP UL94V-0
色 : 黒色



42.73	39.53	38.63	15-25-1303	5328-30	30
C	B	A	EDP NO.	ENG. NO.	極致

REVISED & REDRAWN IEC NO. J2013-0569 DRAWN: MATSUYAMA 2012/12/05 CHIKIDAKAKAWA 2012/12/18 APPR: YUITO 2012/12/19	GENERAL TOLERANCES (UNLESS SPECIFIED)		DIMENSION STYLE MM ONLY		SCALE 4:1	DESIGN UNITS METRIC	THIRD ANGLE PROJECTION
	10 UNDER	± 0.2	DRAWN BY MATSUYAMA	DATE 2012/12/05	TITLE QIK FLECS STRAIN RELIEF JAPANESE ONLY molex DOCUMENT NO. SD-5328-001 SHEET NO. 1 OF 1		
	10 OVER 30 UNDER	± 0.25	CHECKED BY KASAKAWA	DATE 2012/12/05			
	30 OVER	± 0.3	APPROVED BY YUITO	DATE 2012/12/19			
ANGULAR	± 3 °	MATERIAL NO. SEE CHART		DRAFT WHERE APPLICABLE MUST REMAIN WITHIN DIMENSIONS			
THIS DRAWING CONTAINS INFORMATION THAT IS PROPRIETARY TO MOLEX INCORPORATED AND SHOULD NOT BE USED WITHOUT WRITTEN PERMISSION							

9 8 7 6 5 4 3 2