

## Excellent Integrated System Limited

Stocking Distributor

Click to view price, real time Inventory, Delivery & Lifecycle Information:

[Phoenix Contact](#)  
[1783821](#)

For any questions, you can email us directly:  
[sales@integrated-circuit.com](mailto:sales@integrated-circuit.com)



Extract from the online catalog

## KGS-MSTB 2,5/13

Order No.: 1783821



<http://eshop.phoenixcontact.de/phoenix/treeViewClick.do?UID=1783821>

Cable housing, Number of positions: 13, Dimension a: 65 mm, Color: green

Commercial data	
EAN	4017918042004
Pack	10 pcs.
Customs tariff	85472000
Weight/Piece	0.0213 KG
Catalog page information	Page 281 (CC-2009)

### Product notes

WEEE/RoHS-compliant since:  
01/01/2003



<http://www.download.phoenixcontact.com>  
Please note that the data given here has been taken from the online catalog. For comprehensive information and data, please refer to the user documentation. The General Terms and Conditions of Use apply to Internet downloads.

### Accessories

Item	Designation	Description
<b>Cable/conductor</b>		
1804658	KD-KGS-MSTB	Molded cable strain relief, suitable for KGS-... cable housings, prevents the cable from being bent

KGS-MSTB 2,5/13 Order No.: 1783821

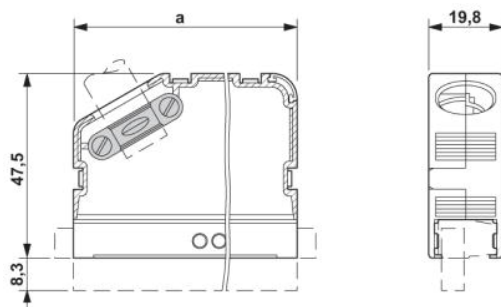
<http://eshop.phoenixcontact.de/phoenix/treeViewClick.do?UID=1783821>

**Marking**

1784914	KGS-MSTB 2,5/ DST	Transparent label carrier, can be marked with marker strips SBS 2.5/7.5
1007604	SBS 2,5/7,5	Marker strips, unprinted, for individual labeling, perforated, white plastic, 10-section, lettering field size: 15 x 7.5 mm

**Diagrams/Drawings**

Dimensioned drawing



KGS-MSTB 2,5/13 Order No.: 1783821

<http://eshop.phoenixcontact.de/phoenix/treeViewClick.do?UID=1783821>

---

**Address**

PHOENIX CONTACT Deutschland GmbH  
Flachsmarktstr. 8  
32825 Blomberg, Germany  
Phone +49 5235 3 12000  
Fax +49 5235 3 41200  
<http://www.phoenixcontact.de>



© 2010 Phoenix Contact  
Technical modifications reserved;