

## Excellent Integrated System Limited

Stocking Distributor

Click to view price, real time Inventory, Delivery & Lifecycle Information:

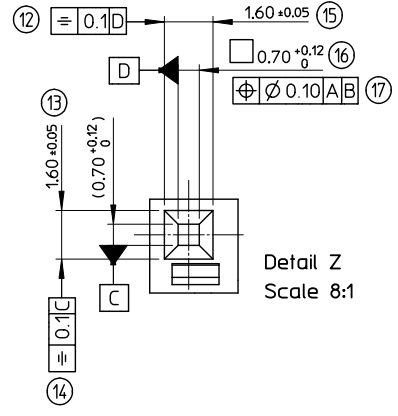
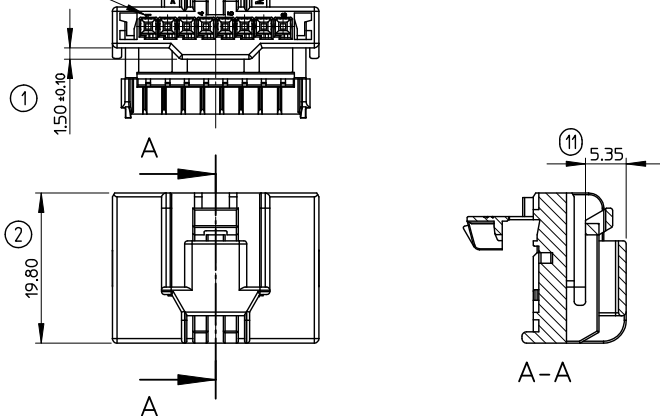
[Molex Connector Corporation](#)  
[0985450001](#)

For any questions, you can email us directly:

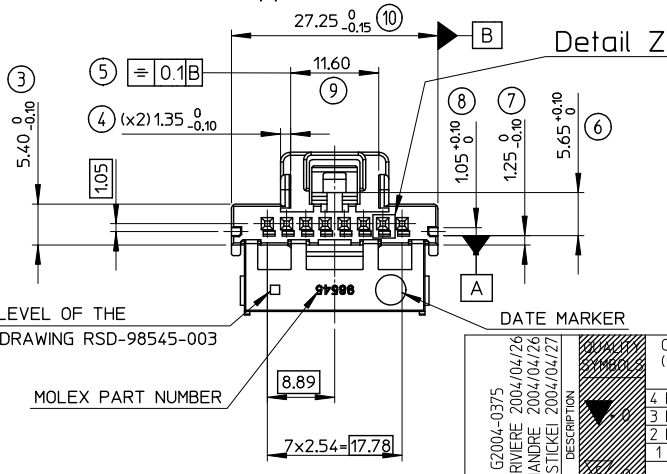
[sales@integrated-circuit.com](mailto:sales@integrated-circuit.com)

10 9 8 7 6 5 4 3 2 1

MATERIAL: >PBT<  
CAVITY MOLD POSITIONNING  
CAVITY POSITIONNING  
MOLEX LOGO

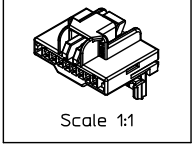


Detail Z  
Scale 8:1



FOR ILLUSTRATION PURPOSES BLACK CODING IS SHOWN.

CODINGS	
PART NUMBER	COLOR
98545-0001	BLACK
98545-0002	GREY



- NOTES :
- 1- MATERIAL: POLYBUTYLENE (PBT), UL94 HB. COLOR: SEE CHART.
  - 2- USE WITH: 98658 (MOX 0.63 TERMINAL).
  - 3- APPLICATION SPECIFICATION: AS-98545-001

REVISION LEVEL OF THE CONTROL DRAWING RSD-98545-003

MOLEX PART NUMBER

DATE MARKER

EC NO: GZ004-0375 DRAWN: MRIVIERE 2004/04/26 CHKD: MANDRE 2004/04/26 APPR: LSTICKEI 2004/04/27	DESCRIPTION	GENERAL TOLERANCES (UNLESS SPECIFIED)		SCALE 2:1	DESIGN UNITS METRIC	FIRST ANGLE PROJECTION	REVISE ON CAD ONLY
		mm	INCH	DIMENSION STYLE MM ONLY	TITLE		
REV	DESCRIPTION	4 PLACES ± --- ± ---		DRAWN BY MRIVIERE	DATE 04/04/08	8 WAY CONNECTOR SALES DRAWING	
		3 PLACES ± --- ± ---		CHECKED BY LSTICKEI	DATE 04/04/08		
		2 PLACES ± 0.10 ± ---		APPROVED BY LSTICKEI	DATE 04/04/08	MOLEX INCORPORATED	
		1 PLACE ± 0.20 ± ---		MATERIAL NO. SEE CHART			
		ANGULAR ± 1/2°		DOCUMENT NO. SD-98545-002		SHEET NO. 1 OF 1	
		DRAFT WHERE APPLICABLE MUST REMAIN WITHIN DIMENSIONS		THIS DRAWING CONTAINS INFORMATION THAT IS PROPRIETARY TO MOLEX INCORPORATED AND SHOULD NOT BE USED WITHOUT WRITTEN PERMISSION			

9 8 7 6 5 4 3 2 1