

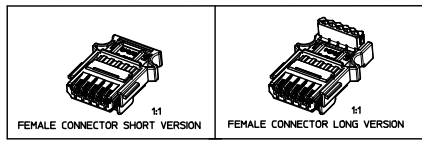
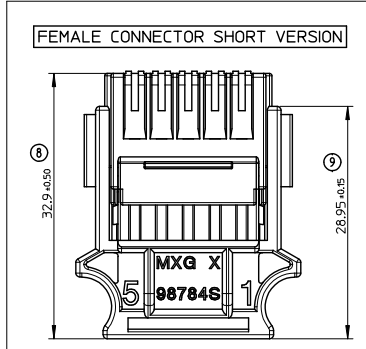
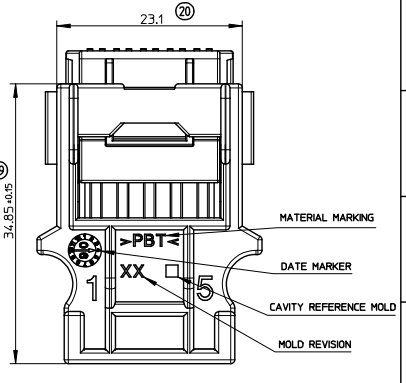
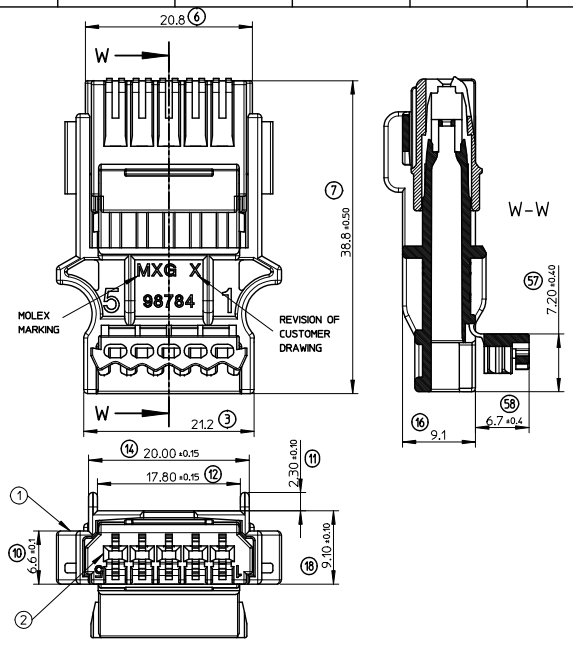
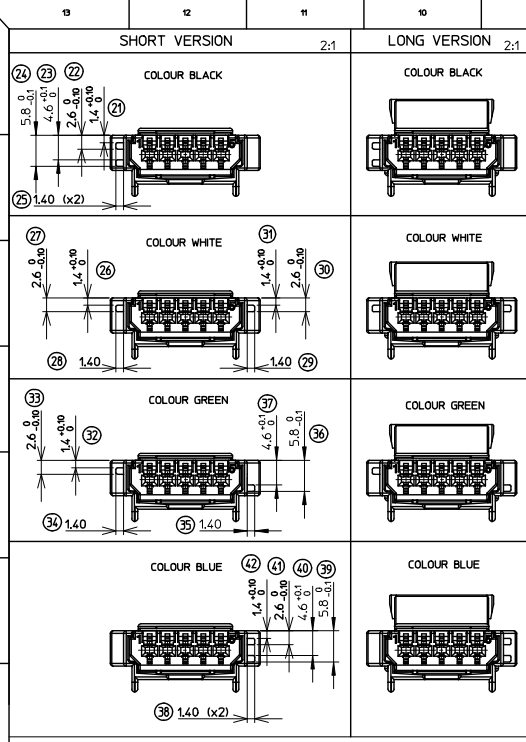
Excellent Integrated System Limited

Stocking Distributor

Click to view price, real time Inventory, Delivery & Lifecycle Information:

[Molex Connector Corporation](#)
[0987841004](#)

For any questions, you can email us directly:
sales@integrated-circuit.com



MOLEX PART NUMBER	DESIGNATION / VERSION	COLOUR / COLOUR	MALE HOUSING ASSOCIATED
0987841004	FEMALE HOUSING SHORT VERSION	BLUE	098781004
0987841003	FEMALE HOUSING SHORT VERSION	GREEN	098781003
0987841002	FEMALE HOUSING SHORT VERSION	WHITE	098781002
0987841001	FEMALE HOUSING SHORT VERSION	BLACK	098781001
0987841004	FEMALE HOUSING LONG VERSION	BLUE	098781004
0987841003	FEMALE HOUSING LONG VERSION	GREEN	098781003
0987841002	FEMALE HOUSING LONG VERSION	WHITE	098781002
0987841001	FEMALE HOUSING LONG VERSION	BLACK	098781001

NOTES :
 1-FOR ILLUSTRATION PURPOSE THE FEMALE CONNECTOR LONG SHOWN IS THE WHITE VERSION (0987841002).
 2-APPLICATION SPECIFICATION :AS-98784-005.
 3-PART WEIGHT LONG VERSION: 4.9 g.
 4-PACKAGING SPECIFICATION : PK-98784-001

FIRST RELEASE	EC NO.	DRAWN BY	CHECKED BY	APPROVED BY	DATE	GENERAL TOLERANCES (UNLESS SPECIFIED)		DIMENSION STYLE		SCALE	DESIGN UNITS	FIRST ANGLE PROJECTION						
						mm	INCH	MM ONLY	DATE	3:1	METRIC	PROJECTION						
1	02009-0290	DR/VN/VG/ERIN	2009/04/27	CH/KD/PP/LESSIS	2009/04/27	APPR/ER/BOUCHAN	2009/04/28	4 PLACES ±---	3 PLACES ±---	2 PLACES ±0.10	1 PLACE ±0.15	ANGULAR ± 2°	DRAWN BY VGUERIN 2009/03/27	CHECKED BY OPLESSIS 2009/03/30	APPROVED BY CBOUCHAN 2009/03/30	DATE	TITLE	FEMALE MODULE 5 WAY SALES DRAWING
						MATERIAL NO.	SEE CHART	MOLEX INCORPORATED		DOCUMENT NO.	SD-98784-001	SHEET NO.	1 OF 1					
						DRAFT WHERE APPLICABLE MUST REMAIN WITHIN DIMENSIONS							THIS DRAWING CONTAINS INFORMATION THAT IS PROPRIETARY TO MOLEX INCORPORATED AND SHOULD NOT BE USED WITHOUT WRITTEN PERMISSION					