

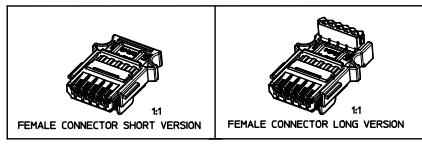
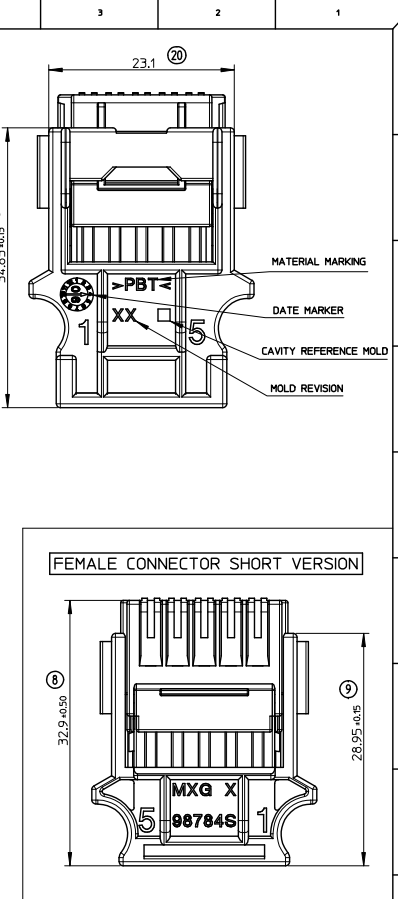
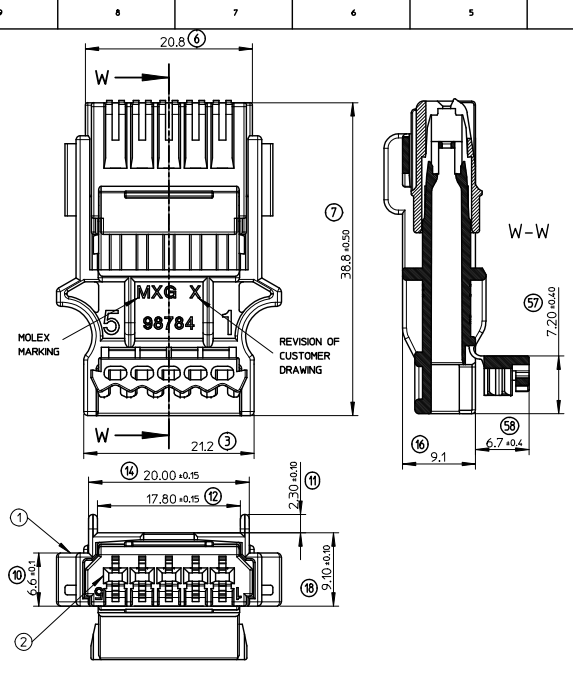
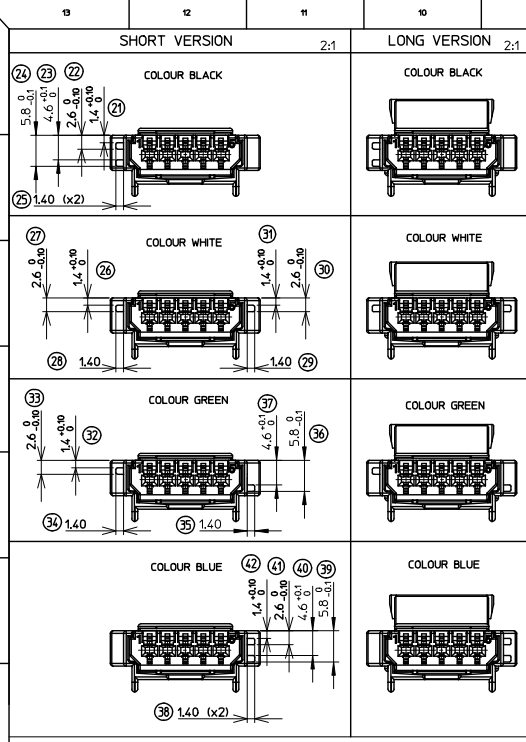
## **Excellent Integrated System Limited**

Stocking Distributor

Click to view price, real time Inventory, Delivery & Lifecycle Information:

[Molex Connector Corporation](#)  
[0987841013](#)

For any questions, you can email us directly:  
[sales@integrated-circuit.com](mailto:sales@integrated-circuit.com)



MOLEX PART NUMBER	DESIGNATION / VERSION	COLOUR / COLOUR	MALE HOUSING ASSOCIATED
0987841014	FEMALE HOUSING SHORT VERSION	BLUE	0987811014
0987841015	FEMALE HOUSING SHORT VERSION	GREEN	0987811015
0987841016	FEMALE HOUSING SHORT VERSION	WHITE	0987811016
0987841017	FEMALE HOUSING SHORT VERSION	BLACK	0987811017
0987841004	FEMALE HOUSING LONG VERSION	BLUE	0987811004
0987841005	FEMALE HOUSING LONG VERSION	GREEN	0987811005
0987841002	FEMALE HOUSING LONG VERSION	WHITE	0987811002
0987841001	FEMALE HOUSING LONG VERSION	BLACK	0987811001

NOTES :  
 1-FOR ILLUSTRATION PURPOSE THE FEMALE CONNECTOR LONG SHOWN IS THE WHITE VERSION (0987841002).  
 2-APPLICATION SPECIFICATION :AS-98784-005.  
 3-PART WEIGHT LONG VERSION: 4.9 g.  
 4-PACKAGING SPECIFICATION : PK-98784-001

REV	DESCRIPTION	GENERAL TOLERANCES (UNLESS SPECIFIED)		DIMENSION STYLE	SCALE	DESIGN UNITS	FIRST ANGLE PROJECTION
		mm	INCH	MM ONLY	3:1	METRIC	⊙ ▷
1	FIRST RELEASE EC NO: G2009-0290 DR:VNGUERIN 2009/04/27 CHK:OPLESSIS 2009/04/27 APPR:EBUCHAN 2009/04/28	4 PLACES ± --- ± ---		DRAWN BY VGUERIN 2009/03/27		TITLE FEMALE MODULE 5 WAY SALES DRAWING	
		15 PLACES ± --- ± ---		CHECKED BY OPLESSIS 2009/03/30			
		2 PLACES ± 0.10 ± ---		APPROVED BY EBUCHAN 2009/03/30			
		1 PLACE ± 0.15 ± ---					
		ANGULAR ± 2 °					
		DRAFT WHERE APPLICABLE MUST REMAIN WITHIN DIMENSIONS		MATERIAL NO. SEE CHART		DOCUMENT NO. SD-98784-001	SHEET NO. 1 OF 1
				SIZE A			