

Excellent Integrated System Limited

Stocking Distributor

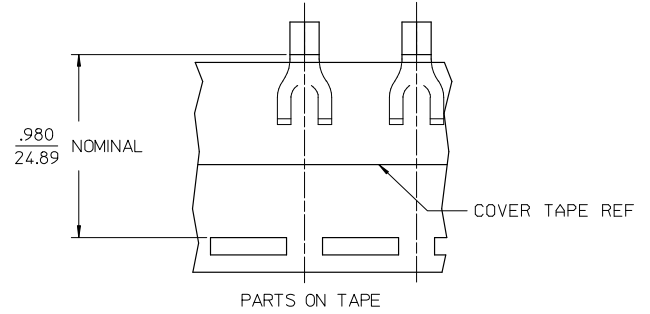
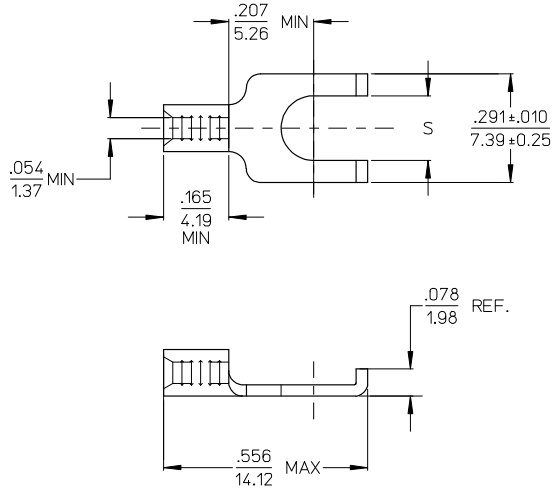
Click to view price, real time Inventory, Delivery & Lifecycle Information:

[Molex Connector Corporation](#)
[0191180023](#)

For any questions, you can email us directly:
sales@integrated-circuit.com

10 9 8 7 6 5 4 3 2 19118

LOOSE PIECE		TAPE MOUNTED		STUD SIZE	S ±.005
MATERIAL NUMBER	ENGINEERING NUMBER	MATERIAL NUMBER	ENGINEERING NUMBER		
191180021	AA-115-06	191180022	AA-115-06T	6	.146/3.71
191180023	AA-115-08	191180024	AA-115-08T	8	.173/4.39
191180025	AA-115-10	191180099	AA-115-10T	10	.198/5.03



SALES DRAWING

NOTES:

1. MATERIAL: COPPER .031/0.78 THICK, REF.
2. PLATING: ELECTRO-TIN
3. PART IS RoHS COMPLIANT

ADD NOTE 3, REV' DIMS EC NO: ETC2008-0012 DRAWN BY: DRWINSTONE 2007/11/26 CHKD: MACNEIL 2007/11/26 APPR: MACNEIL 2007/12/05	QUALITY SYMBOLS ▽=0 ▽=0	GENERAL TOLERANCES (UNLESS SPECIFIED)		DIMENSION STYLE		SCALE	DESIGN UNITS	THIRD ANGLE PROJECTION
			mm	INCH	IN/MM	4:1	INCH	
		4 PLACES	±---	±---	DATE			
		3 PLACES	±---	±.005	1984/10/17			
	2 PLACES	±0.13	±.01	CHECKED BY	DATE			
	1 PLACE	±0.25	±---	GZ	1984/10/18			
	ANGULAR		±---°	APPROVED BY	DATE			
				GZ	1984/10/18			
	DRAFT WHERE APPLICABLE		SEE CHART	MATERIAL NO.	DOCUMENT NO.			
	MUST REMAIN WITHIN DIMENSIONS				SD-19118-003			
				THIS DRAWING CONTAINS INFORMATION THAT IS PROPRIETARY TO MOLEX INCORPORATED AND SHOULD NOT BE USED WITHOUT WRITTEN PERMISSION				
							SHEET NO. 1 OF 1	

9 8 7 6 5 4 3 2 1