

Excellent Integrated System Limited

Stocking Distributor

Click to view price, real time Inventory, Delivery & Lifecycle Information:

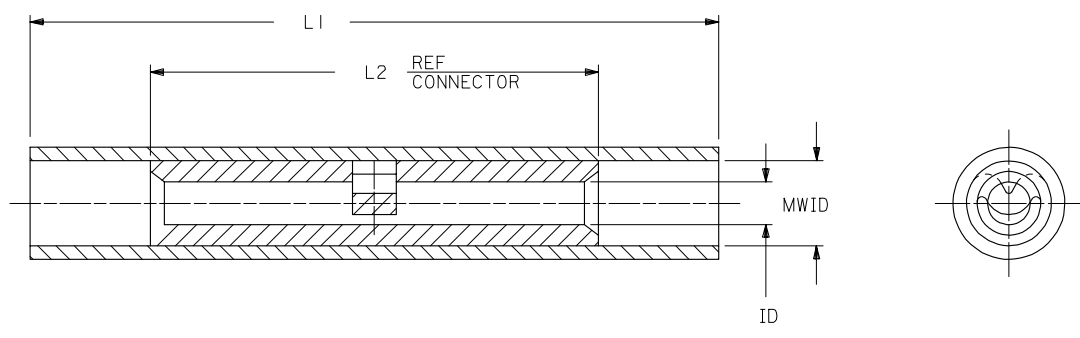
[Molex Connector Corporation](#)
[0192020134](#)

For any questions, you can email us directly:

sales@integrated-circuit.com

PART NO.	INSULATION COLOR	WIRE SIZE	ID	L1 MAX	L2 MAX	MWID
AS-N-345	RED	22-18	.059	1.035	.675	.130
BS-N-331	BLUE	16-14	.091	1.080	.675	.140
CS-N-346	YELLOW	12-10	.138	1.300	.827	.223

NOTES:
 1. MATERIAL:
 INSULATION: NYLON
 CONNECTOR: TIN PLATED SEAMLESS COPPER
 3. IF NECESSARY: SLIGHT FLARE ON ONE END ACCEPTABLE FOR ASSEMBLY PURPOSES.

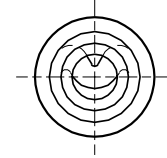
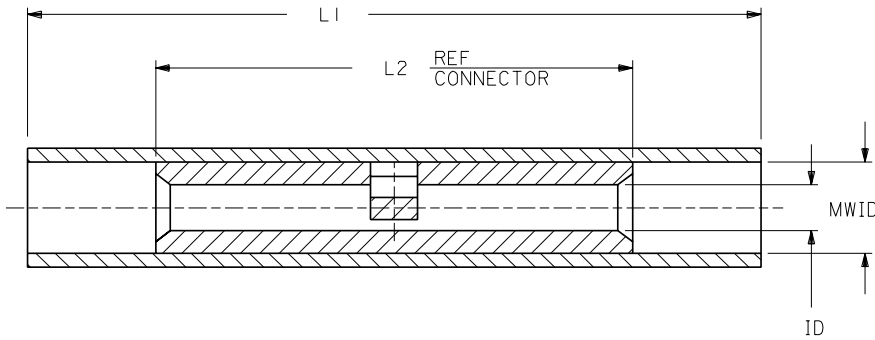


CUSTOMER DRAWING

REVISED & REDRAWN EC NO. 2005/06/13 DRWN:L SHADECK 2005/06/21 CHKD:R ROSS 2005/06/21 APPR:R ROSS 2005/06/21 REV DESCRIPTION	QUALITY SYMBOLS	GENERAL TOLERANCES (UNLESS SPECIFIED)	DIMENSION STYLE IN/MM	SCALE 4:1	DESIGN UNITS INCH	THIRD ANGLE PROJECTION																		
		<table border="1"> <thead> <tr> <th></th> <th>mm</th> <th>INCH</th> </tr> </thead> <tbody> <tr> <td>4 PLACES</td> <td>± .005</td> <td>± .0004</td> </tr> <tr> <td>3 PLACES</td> <td>± .003</td> <td>± .0002</td> </tr> <tr> <td>2 PLACES</td> <td>± .002</td> <td>± .0001</td> </tr> <tr> <td>1 PLACE</td> <td>± .001</td> <td>± .00005</td> </tr> <tr> <td colspan="3">ANGULAR ± .005°</td> </tr> </tbody> </table>		mm	INCH	4 PLACES	± .005	± .0004	3 PLACES	± .003	± .0002	2 PLACES	± .002	± .0001	1 PLACE	± .001	± .00005	ANGULAR ± .005°			DRAWN BY EMF DATE 07/03/91 CHECKED BY JM DATE 07/03/91 APPROVED BY FP DATE 07/03/91	TITLE NYLAKRIMP BUTT CONNECTOR		
		mm	INCH																					
	4 PLACES	± .005	± .0004																					
3 PLACES	± .003	± .0002																						
2 PLACES	± .002	± .0001																						
1 PLACE	± .001	± .00005																						
ANGULAR ± .005°																								
DRAFT WHERE APPLICABLE MUST REMAIN WITHIN DIMENSIONS		MATERIAL NO. SEE TABLE	DOCUMENT NO. 60002-11C	SHEET NO. 1 OF 1																				
THIS DRAWING CONTAINS INFORMATION THAT IS PROPRIETARY TO MOLEX INCORPORATED AND SHOULD NOT BE USED WITHOUT WRITTEN PERMISSION																								

PART NO.	INSULATION	WIRE SIZE	ID	L1 MAX	L2 MAX.	MWID
AS-N-345	RED	22-18	.059	1.035	.675	.130
BS-N-331	BLUE	16-14	.091	1.080	.675	.160
CS-N-346	YELLOW	12-10	.138	1.300	.827	.223

DRWG. NO. 60002-11C



CUSTOMER DRAWING

NOTES:

1. MATERIAL:
INSULATION: NYLON
CONNECTOR: TIN PLATED SEAMLESS COPPER
3. IF NECESSARY: SLIGHT FLARE ON ONE END ACCEPTABLE FOR ASSEMBLY PURPOSES.

DIMENSIONS SHOWN (METRIC) INCH		
UNLESS OTHERWISE SPECIFIED TOLERANCES: ANGULAR ± 1/2°		
	INCH	METRIC
3 PLACE	± .005	± 0.13
2 PLACE	± .01	± 0.25
1 PLACE	± ---	± ---

DRAFT WHERE APPLICABLE MUST REMAIN WITHIN DIMENSIONS

REVISE ONLY ON CAD SYSTEM

TITLE
NYLAKRIMP
BUTT CONNECTOR

ETC INC. PINELLAS PARK, FLA. 33781 U.S.A.	SHEET NO. 1 OF 1	DATE 91/07/03
---	---------------------	------------------

PART NO. SEE TABLE DRWG. NO. 60002-11C

DRWG. BY EMF	CHK'D. BY JM
APP'D. BY FP	SCALE NO:NE

FILE NAME 6000211C SD	THIS DRAWING CONTAINS INFORMATION THAT IS PROPRIETARY TO MOLEX-ETC INC. AND SHOULD NOT BE USED WITHOUT WRITTEN PERMISSION.	DIV. ET	SIZE A
-----------------------------	--	------------	-----------

A	ADD P/N AND UPDATE DRAWINGS ET80539 12/18 HEB
LTR.	REVISIONS

6 5 4 3 2 1