

Excellent Integrated System Limited

Stocking Distributor

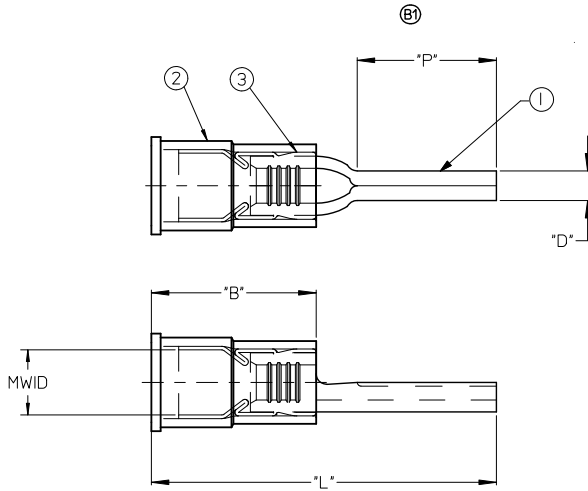
Click to view price, real time Inventory, Delivery & Lifecycle Information:

[Molex Connector Corporation](#)
[0192130001](#)

For any questions, you can email us directly:

sales@integrated-circuit.com

10	9	8	7	6	5	4	3	2	19213
MATERIAL NUMBER	ENGINEERING NUMBER	AWG WIRE RANGE	LENGTH "L" MAX	PIN LENGTH "P" MIN (B)	PIN DIAM. "D" ±.01/0.3	MWID	INSULATION COLOR	B MAX	
192130001	WP-5210	12-10	1.24/31.5 (B)	.35/8.9	.107/2.72	.22/5.6	YELLOW	.68/17.3	
192130005	WP-5614	16-14	1.05/26.7	.35/8.9	.078/1.98	.17/4.3	BLUE	.55/14.0	
192130003	WP-5218	22-18	1.05/26.7	.41/10.4	.078/1.98	.14/3.6	RED	.55/14.0	



ITEM	QTY	DESCRIPTION	MATERIAL	FINISH
3	1	FERRULE PLATED	COPPER ALLOY	TIN PLATING
2	1	600V AVIK MLD INS	NYLON	SEE CHART
1	1	WIRE PIN KRIMP TITE	COPPER C11000	TIN PLATING

NOTES:

1. MATERIAL: SEE CHART
2. FINISH: SEE CHART
3. PARTS ARE ROHS COMPLIANT.
4. MWID = MAXIMUM WIRE INSULATION DIAMETER

CORRECT TOLERANCES E.C. NO: WNA2009-0437 DRAWN BY: THRODAHL 2010/03/19 CHECKED BY: JMACNEIL 2010/03/01 APPROVED BY: JMACNEIL 2010/03/18 REV B1	QUALITY SYMBOLS ▽=0 ▽=0	GENERAL TOLERANCES (UNLESS SPECIFIED) <table border="1"> <thead> <tr> <th></th> <th>mm</th> <th>INCH</th> </tr> </thead> <tbody> <tr> <td>4 PLACES</td> <td>±---</td> <td>±---</td> </tr> <tr> <td>3 PLACES</td> <td>±---</td> <td>±---</td> </tr> <tr> <td>2 PLACES</td> <td>±---</td> <td>±---</td> </tr> <tr> <td>1 PLACE</td> <td>±---</td> <td>±---</td> </tr> <tr> <td colspan="3">ANGULAR ±---°</td> </tr> </tbody> </table>		mm	INCH	4 PLACES	±---	±---	3 PLACES	±---	±---	2 PLACES	±---	±---	1 PLACE	±---	±---	ANGULAR ±---°			DIMENSION STYLE IN/MM DRAWN BY: ASAYDEH DATE: 06/03/17 CHECKED BY: RDEROSS DATE: 06/03/17 APPROVED BY: JMACNEIL DATE: 2010/03/18 MATERIAL NO. SEE CHART DOCUMENT NO. SD-19213-001	SCALE: 4:1 DESIGN UNITS: INCH THIRD ANGLE PROJECTION	TITLE AVIKRIMP WIRE PIN TERMINAL MOLEX INCORPORATED SHEET NO. 1 OF 1
		mm	INCH																				
	4 PLACES	±---	±---																				
	3 PLACES	±---	±---																				
2 PLACES	±---	±---																					
1 PLACE	±---	±---																					
ANGULAR ±---°																							
DRAFT WHERE APPLICABLE MUST REMAIN WITHIN DIMENSIONS		THIS DRAWING CONTAINS INFORMATION THAT IS PROPRIETARY TO MOLEX INCORPORATED AND SHOULD NOT BE USED WITHOUT WRITTEN PERMISSION																					