

Excellent Integrated System Limited

Stocking Distributor

Click to view price, real time Inventory, Delivery & Lifecycle Information:

[Molex Connector Corporation](#)
[0351960111](#)

For any questions, you can email us directly:

sales@integrated-circuit.com

10 9 8 7 6 5 4 3 2 1

F

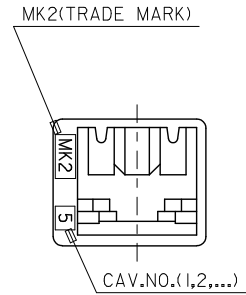
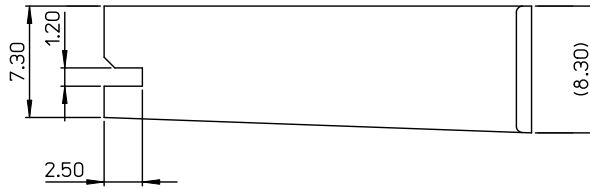
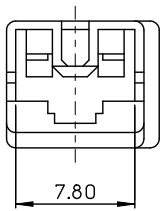
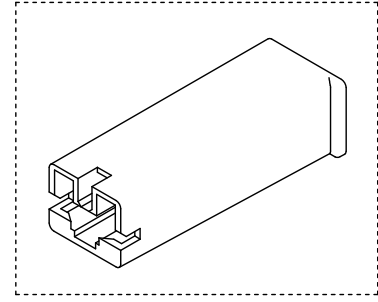
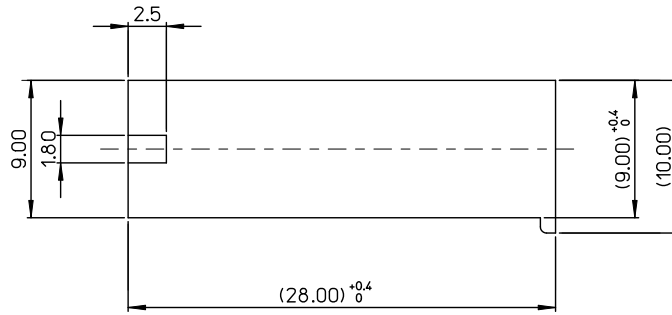
E

D

C

B

A



NOTES

1. MATERIAL & PART NO.

NO.	MATERIAL NO.	PART NO.	MATERIAL
1	351960110	35196-0110	PA66,UL94V-2
2	351960111	35196-0111	©PA66,UL94V-0

2. FINISH : NATURAL COLOR

3. APPLICABLE TERMINAL : 35072-9*02

REVISED EC NO: KOR2011-0074 2011/01/26 DRAWN: JHPARK01 CHKD: SH. CHU 2011/01/26 APPR: YUNS.IKK IM 2011/01/27	QUALITY SYMBOLS ▽=0 ▽=0	GENERAL TOLERANCES (UNLESS SPECIFIED)		DIMENSION STYLE MM ONLY	SCALE 4:1	DESIGN UNITS METRIC	THIRD ANGLE PROJECTION
		4 PLACES ±---	±---	mm	INCH	DRAWN BY WY. YANG	DATE 1996/03/19
REV DESCRIPTION	DRAFT WHERE APPLICABLE MUST REMAIN WITHIN DIMENSIONS	3 PLACES ±---	±---	DRAWN BY WY. YANG		DATE 1996/03/19	
		2 PLACES ±0.3	±---	CHECKED BY BK. CHOI		DATE 1996/03/19	
		1 PLACE ±0.3	±---	APPROVED BY CW. LEE		DATE 1996/03/19	
ANGULAR ± 1 °		MATERIAL NO.		SEE NOTE		DOCUMENT NO. SD-35196-0110	SHEET NO. 1 OF 01

9 8 7 6 5 4 3 2 1