

Excellent Integrated System Limited

Stocking Distributor

Click to view price, real time Inventory, Delivery & Lifecycle Information:

[Molex Connector Corporation](#)
[0352740411](#)

For any questions, you can email us directly:

sales@integrated-circuit.com

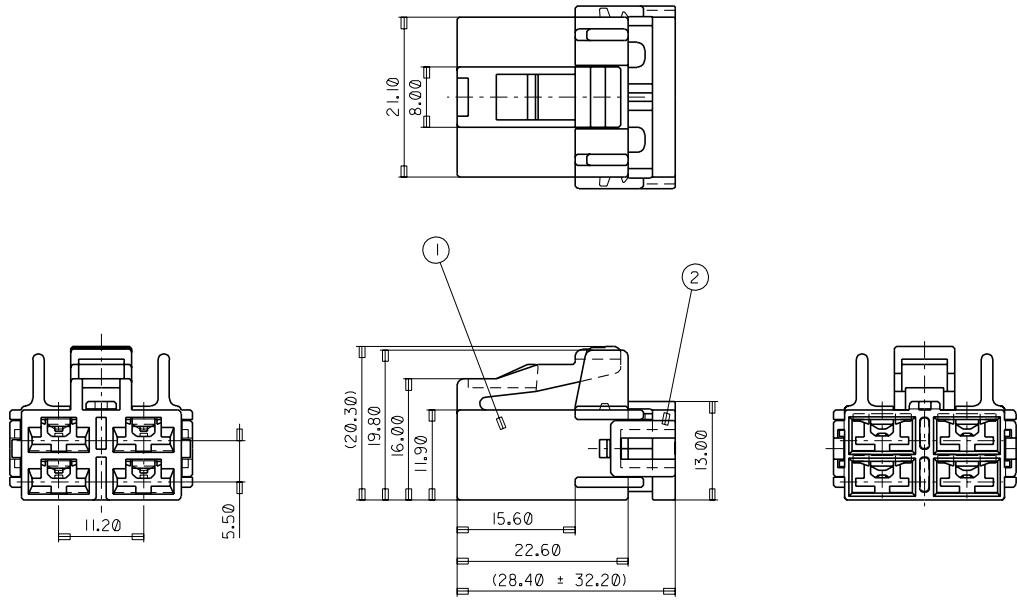
DO NOT SCALE DRAWING DIMENSION IN METRIC

SIMILAR ITEM

PROJECT NO.

B

DWG. NO. SD 35274-0411



P/NO.	PART NAME	MATERIAL
① 35274-0491	POWERMATE SP FEMALE HSG 4P	PBT BLACK COLOR
② 35275-0480	POWERMATE SP FEMALE TPA 4P	PBT NATURAL COLOR

• APPLICABLE TERMINAL : 35427-97**98**99**
35430-1700,1800,1900

NEW RELEASE EC NO. KOR 998-0085 DRWN: J.K. OH 98.6.2 CHK: J.K. OH 98.6.2 APPR: A REV:	QUALITY SYMBOLS MAJOR CRITICAL	GENERAL TOLERANCES: (UNLESS SPECIFIED) 4 PLACES ±0. ±. 3 PLACES ±0. ±. 2 PLACES ±0.3 ±. 1 PLACE ±0. ±. ANGULAR ± 3 °	SCALE 2 : 1 DESIGN UNITS <input checked="" type="checkbox"/> mm <input type="checkbox"/> INCH DRAWN BY & DATE 910922 J.K.OH CHECKED BY & DATE APPROVED BY & DATE CAD FILENAME	DIMENSIONS: <input type="checkbox"/> mm <input type="checkbox"/> INCH <input checked="" type="checkbox"/> mm ONLY <input type="checkbox"/> mm <input type="checkbox"/> INCH <input checked="" type="checkbox"/> mm ONLY SHT REV REVISE ON CAD ONLY	THIRD ANGLE PROJECTION TITLE: POWERMATE SP FEMALE ASS'Y 4P MOLEX INCORPORATED KOREA MATERIAL NO. 352-74-0411 DRAWING NO. SD 35274-0411 SHEET NO. 1/1
	DRAFT WHERE APPLICABLE MUST REMAIN WITHIN DIMENSIONS		THIS DRAWING CONTAINS INFORMATION THAT IS PROPRIETARY TO MOLEX INCORPORATED AND SHOULD NOT BE USED WITHOUT WRITTEN PERMISSION.		SIZE B
					MX-A3

8 7 6 5 4 3 2 1