

Excellent Integrated System Limited

Stocking Distributor

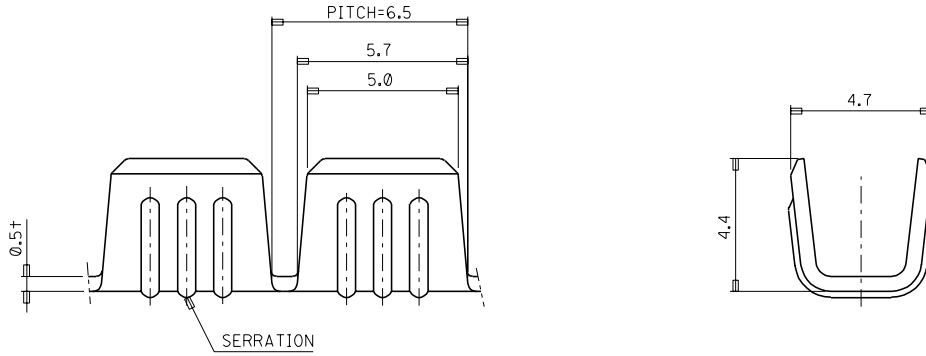
Click to view price, real time Inventory, Delivery & Lifecycle Information:

[Molex Connector Corporation](#)
[0357605000](#)

For any questions, you can email us directly:

sales@integrated-circuit.com

PROJECT NO. SIMILAR ITEM EDP NO. ENG. NO. SD 35760-5000



DO NOT SCALE DRAWING DIMENSION IN METRIC

ASS'Y PART		QTY/REEL OR PACK	SURFACE AREA	MATERIAL	WIRE RANGE	GENERAL TOLERANCES	MOLEX-KOREA CO.,LTD.
DESCRIPTION	ENG.NO.	MM ²	MM ²	BRASS, 0.5t	AWG:	DIM. : *0.3	
		DIE NO. //	LAYOUT NO. //	DIMENSION CLASSIFICATION <input checked="" type="checkbox"/> : CRITICAL <input checked="" type="checkbox"/> : MAJOR <input type="checkbox"/> : MINOR () : REFERENCE		REVISE ONLY ON CAD SYSTEM	
		WIRE CRIMP WIDTH //	INS. CRIMP WIDTH //	DRAWN BY	INSULATION RANGE	TITLE: AK 3315 SPLICE	
		WBDW //	IBDW //	W.Y.YANG	CHK'D BY	ENG.NO. SD 35760-5000	
		DIE FEED	APPL FEED	APP'D BY	SCALE 8:1	1 of 1	
LTR	REVISION RECORD	ECN	DR/CHK	DATE			REV A
8			7			6	
						5	
						4	
						3	
						2	
						1	