

## Excellent Integrated System Limited

Stocking Distributor

Click to view price, real time Inventory, Delivery & Lifecycle Information:

[Molex Connector Corporation](#)  
[0357605200](#)

For any questions, you can email us directly:

[sales@integrated-circuit.com](mailto:sales@integrated-circuit.com)

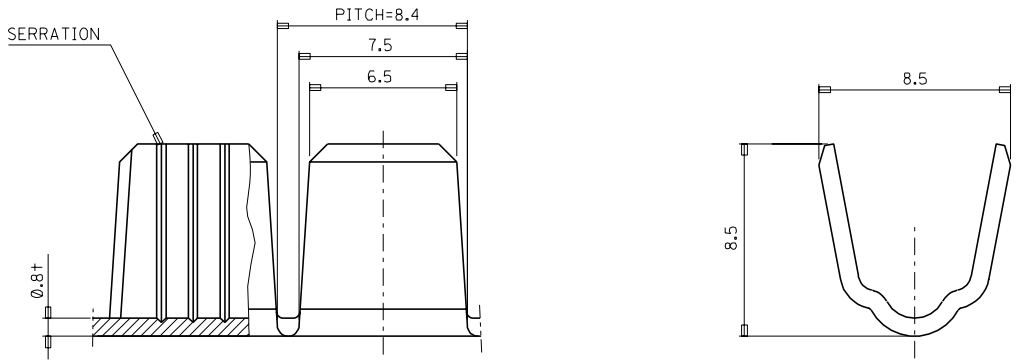
DO NOT SCALE DRAWING  
DIMENSION IN METRIC

ENG. NO  
SD 35760-5200

EDP NO.

SIMILAR ITEM

PROJECT NO.



A		CAD REDRAWING	94-003	94.5.10	ASS'Y PART		QTY/REEL OR PACK	SURFACE AREA	MATERIAL	WIRE RANGE	GENERAL TOLERANCES	MOLEX-KOREA CO.,LTD.
LTR		REVISION RECORD	ECN	DR/CHK	DESCRIPTION	ENG.NO.	///	MM <sup>2</sup>	BRASS , 0.8t	AWG:	DIM. : ±0.3	
							DIE NO. ///	LAYOUT NO. ///	DIMENSION CLASSIFICATION <input checked="" type="checkbox"/> : CRITICAL <input checked="" type="checkbox"/> : MAJOR <input type="checkbox"/> : MINOR        ( ) : REFERENCE	MM <sup>2</sup> :	ANGLE :	lo fl REV A
					DIE FEED	APPL FEED	WBDW ///	IBDW ///	DRAWN BY	INSULATION RANGE	TITLE:	
									W.Y.YANG		ENG.NO.	SD 35760-5200
									CHK'D BY			
									APP'D BY	SCALE		
										6:1		