



**Distributor of Harting: Excellent Integrated System Limited**

Datasheet of 09664636812 - D-Sub Connector Plug, Male Pins 37 Position Through Hole, Right Angle Solder

Contact us: [sales@integrated-circuit.com](mailto:sales@integrated-circuit.com) Website: [www.integrated-circuit.com](http://www.integrated-circuit.com)

---

## **Excellent Integrated System Limited**

Stocking Distributor

Click to view price, real time Inventory, Delivery & Lifecycle Information:

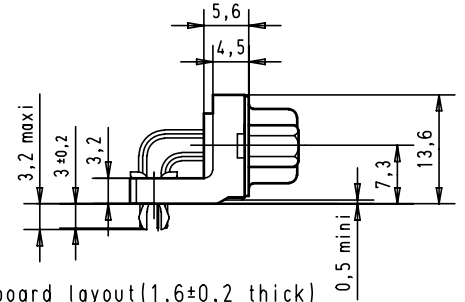
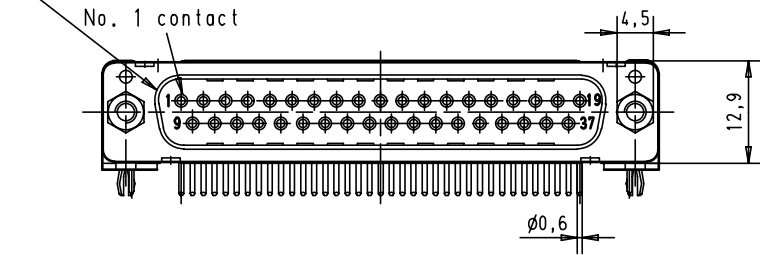
[Harting](#)

[09664636812](#)

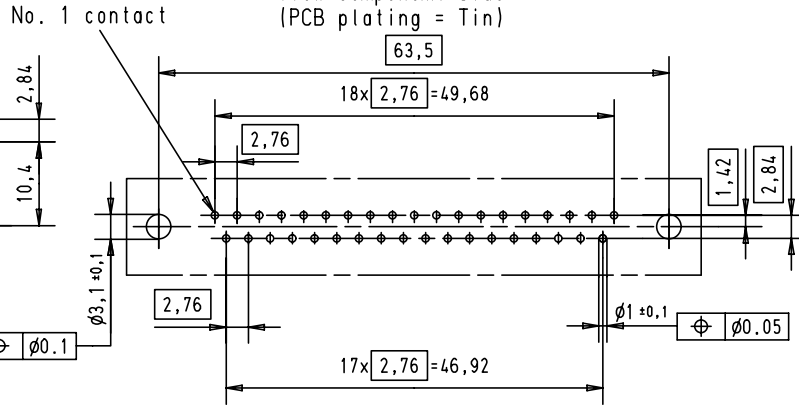
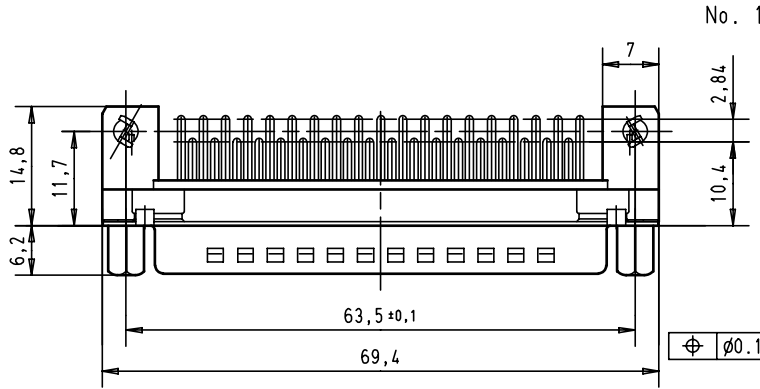
For any questions, you can email us directly:

[sales@integrated-circuit.com](mailto:sales@integrated-circuit.com)


Mating face according to MIL-C-24308 / DIN 41 652 / CECC 75301-802



Printed board layout (1,6±0,2 thick)  
View component side  
(PCB plating = Tin)



Mounting force on Printed board : 25 - 80 N

					Det.	Name	 All Dim. in mm Orig. Size DIN A 4	D-Sub male standard 37 poles with solder pins, screw-lock, board lock and grounding pins	Maßstab/ Scale	
					Detail.	26-OCT-01			JB	1,5:1
					Insp.					
09 66 463 6813	4-40 UNC	2			Stand.					
09 66 463 7813	4-40 UNC	3			HARTING EURL F-95972 Paris			<b>TB 09 66 463 X81X</b>	Blatt/ Page 3	
09 66 463 5813	4-40 UNC	0,76 µm Au	29725	26-OCT-01						JB
Part number	screw-lock	Performance level	Mod.	Det.	Name	Sub.				