

Excellent Integrated System Limited

Stocking Distributor

Click to view price, real time Inventory, Delivery & Lifecycle Information:

[PUI Audio, Inc.](#)
[AB2734B-LW100-R](#)

For any questions, you can email us directly:
sales@integrated-circuit.com

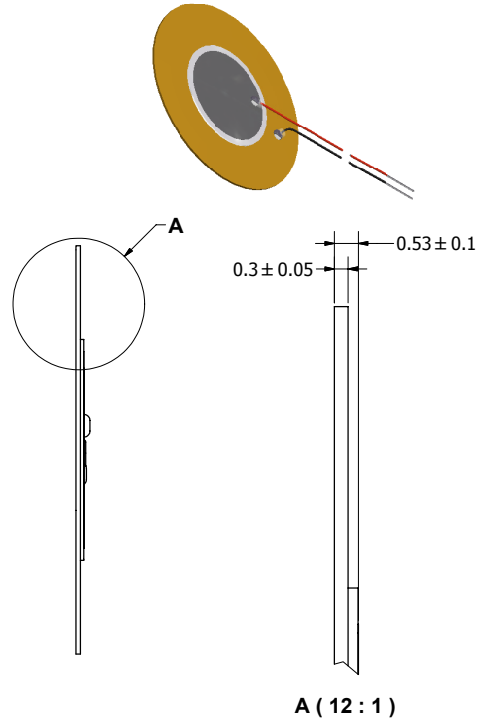
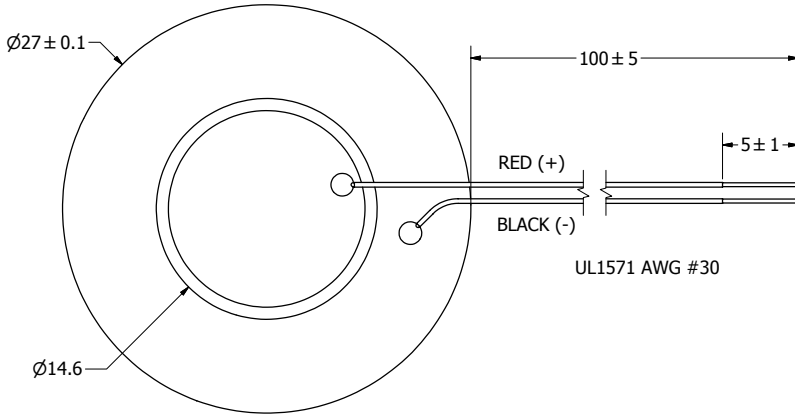
SPECIFICATIONS

| PARAMETERS | VALUES | UNITS |
|--------------------------|--------------|-------|
| RESONANT FREQUENCY | 3,400 ± 500 | Hz |
| RESONANT IMPEDANCE (MAX) | 1,000 | Ohm |
| MAX INPUT VOLTAGE | 30 | Vp-p |
| CAPACITANCE @ 1KHZ | 13,000 ± 30% | pF |
| PLATE MATERIAL | BRASS | - |
| OPERATING TEMPERATURE | -20 ~ +60 | °C |
| STORAGE TEMPERATURE | -20 ~ +70 | °C |

THIS DOCUMENT CONTAINS DATA PROPRIETARY TO PROJECTS UNLIMITED, INC. ANY USE OR REPRODUCTION, IN ANY FORM, WITHOUT PRIOR WRITTEN PERMISSION OF PROJECTS UNLIMITED, INC. IS PROHIBITED.
 ©2003, Projects Unlimited Inc.

REVISION HISTORY

| LTR | DESCRIPTION | DATE | APPROVED |
|-----|---------------------------|----------|----------|
| - | RELEASED FROM ENGINEERING | 5/8/2013 | |



NOTES:

- ALL DIMENSIONS ARE IN MILLIMETERS.
- SPECIFICATIONS SUBJECT TO CHANGE OR WITHDRAWL WITHOUT NOTICE.
- THIS PART IS RoHS 2011/65/EU COMPLIANT.

| | | | | | | | | |
|--|------|-------------|-----------------|------------|----------|-------------|----------|------------|
| UNLESS OTHERWISE SPECIFIED: DIMENSIONS ARE IN MILLIMETERS, TOLERANCES ARE ±0.5 AND ANGLES ARE ±3°. | SIZE | Designed by | Date | Checked by | Date | Approved by | Date | Drawn Date |
| | A3 | J.D. | 5/8/2013 | C.W. | 5/9/2013 | B.R. | 5/9/2013 | 5/8/2013 |
| AB2734B-LW100-R.idw | | | AB2734B-LW100-R | | | Bender | | |
| | | | | | | Edition | Sheet | |
| | | | | | | - | 1 / 1 | |