



Excellent Integrated System Limited

Stocking Distributor

Click to view price, real time Inventory, Delivery & Lifecycle Information:

[Bel Fuse Inc.](#)
[5-6605463-6](#)

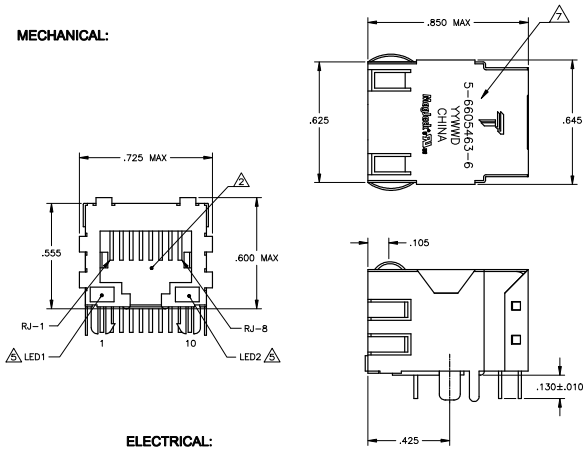
For any questions, you can email us directly:
sales@integrated-circuit.com

THIS DRAWING AND THE SUBJECT MATTER SHOWN THEREON ARE CONFIDENTIAL AND THE PROPERTY OF BEL/STEWART/TRP CONNECTOR AND SHALL NOT BE REPRODUCED, COPIED, OR USED IN ANY MANNER WITHOUT THE WRITTEN CONSENT OF TRP CONNECTOR.

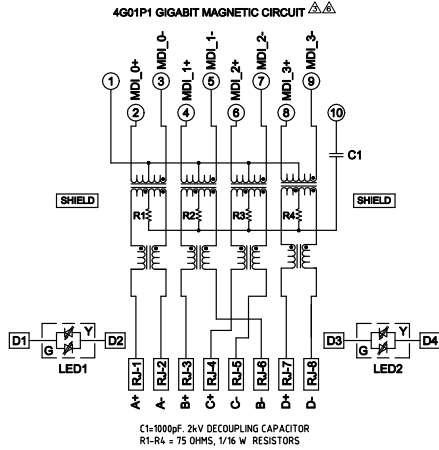
PRODUCT MAY BE PROTECTED BY ONE OR MORE OF THE FOLLOWING US PATENTS:
 5736910 5939955 6425781 6428361 6554638 6840817 7123117
 7429195 7717749 7808751 8217391 6149050 7924130

REVISIONS			
REV	DESCRIPTION	DATE	BY
1	EC-1411035 COMPANY LOGO CHANGE	20080204	ST

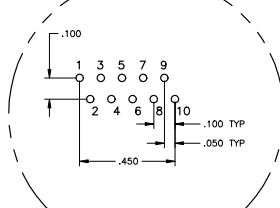
MECHANICAL:



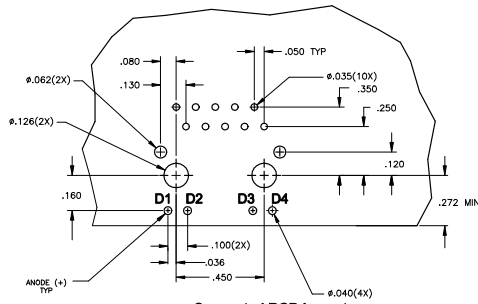
ELECTRICAL:



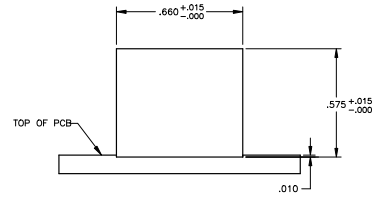
C1=1000pF, 2kV DECOUPLING CAPACITOR
 R1-R4 = 75 OHMS, 1/16 W RESISTORS



Pin Designations



Suggested PCB Layout (Component Side)



Suggested Panel Cutout

- MATERIALS:**
 HOUSING - THERMOPLASTIC PET POLYESTER FLAMMABILITY RATING UL 94V-0.
 SHIELD - .010" THICK, C26800 BRASS PREPLATED WITH 30µINCH MIN SEMI-BRIGHT NICKEL. SOLDER TABS POST DIPPED WITH 100µINCH MIN SAC SOLDER.
 MAGJACK CONTACTS - 0.0157 X 0.018" PHOSPHOR BRONZE, 50µINCH MIN OVERALL NICKEL UNDERPLATE WITH SELECT 50µINCH MIN HARD GOLD FINISH PLATE.
 SOLDER TAILS WITH 100µINCH MIN MATE TIN AND/OR SAC SOLDER DIP.
 LIGHT EMITTING DIODE(LED) - DIFFUSED EPOXY LENS, 020" X 020" CARBON STEEL WIREFRAME LEADS PRE-PLATED WITH 80µINCH SILVER OVER 40µINCH NICKEL UNDERPLATE OVER 40µINCH COPPER UNDERPLATE. POST-PLATED WITH 100µINCH MIN MATE TIN AND/OR SAC SOLDER DIP OR PURE TIN SOLDER DIP.
 RJ45 JACK CAVITY CONFORMS TO FCC RULES AND REGULATIONS PART 68, SUB PART F.
 MAGNETICS
 -IMPEDANCE: 100 OHMS
 -TURNS RATIO (CHIP-CABLE): 1:1 ALL FOUR PAIRS
 -OPEN CIRCUIT INDUCTANCE (OCL): 350nH MIN 100kHz, 0.1VRMS.
 -BIAS BIAS FROM 0°C TO 70°C, ALL FOUR PAIRS
 -ALL FOUR PAIRS BI-DIRECTIONAL
 -PERFORMANCE @ 25°C
 INSERTION LOSS (IL): 1.0dB MAX FROM 0.5MHz TO 100MHz
 RETURN LOSS (RL): 18dB MIN FROM 0.5MHz TO 4.0MHz
 12-20LOG(F/80)dB MIN FROM 4.0.1MHz TO 100MHz
 CROSSTALK ATTENUATION: 35dB MIN FROM 0.5MHz TO 4.0MHz
 33-20LOG(F/50)dB MIN FROM 4.0 MHz TO 100MHz
 COMMON MODE REJECTION RATIO (CMRR): 30dB MIN FROM 0.5MHz TO 100MHz
 -ISOLATION VOLTAGE:225VDC (MAX) FOR 60 SECONDS WITH A RISE TIME OF 500V/SEC.
 OPERATION TEMPERATURE: FROM 0°C TO +70°C.
 LEDs ARE DRIVEN WITH CONSTANT CURRENT AT APPROX 20mA.
 LED COLOR- DOMINANT WAVELENGTH (AD): GREEN 568 nm TYP @ IF=20mA
 FORWARD VOLTAGE (VF): GREEN 2.2V TYP @ IF=20mA
 DOMINANT WAVELENGTH (AD): YELLOW 588 nm TYP @ IF=20mA
 FORWARD VOLTAGE (VF): YELLOW 2.1V TYP @ IF=20mA.
 THE MAGNETICS ARE SYMMETRIC TO SUPPORT AUTO-MDI/MIX.
 TRP CONNECTOR LOGO, PART NUMBER, DATE CODE, COUNTRY OF ORIGIN AND AGENCY APPROVAL MARKING IN APPROXIMATE LOCATION SHOWN.
 THE PART IS RECOMMENDED FOR WAVE SOLDERING PROCESS.
 PREHEAT TEMPERATURE IS 120°C TO 160°C, 120 SECONDS TO 180 SECONDS,
 PEAK SOLDERING TEMPERATURE IS 260 °C MAX, 10 SECONDS MAX.

GREEN/YELLOW	GREEN/YELLOW	5-6605463-6
LED1	LED2	PART NUMBER

THIS DRAWING IS A CONTROLLED DOCUMENT:		REVISIONS		DATE		BY	
DATE	REV	DESCRIPTION	DATE	BY	DATE	BY	DESCRIPTION
10B-2100	1	10B-2100					

trp CONNECTOR
 DONGGUAN CHINA

1X1 4001P1 GIGABIT TAB DOWN W/ LED

MAGJACK

SINGLE NON-POE

5-6605463

CUSTOMER DRAWING