

## Excellent Integrated System Limited

Stocking Distributor

Click to view price, real time Inventory, Delivery & Lifecycle Information:

[Pericom Semiconductor Corp.](#)  
[PI74STX1G32CX](#)

For any questions, you can email us directly:

[sales@integrated-circuit.com](mailto:sales@integrated-circuit.com)



**PI74STX1G32**  
**SOTiny™ Gate STX**  
**2-Input OR**

**Features**

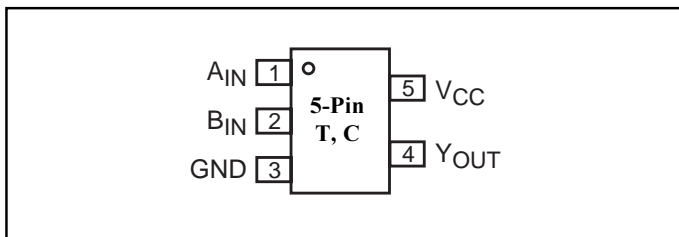
- High-speed:  $t_{PD} = 2.5\text{ns}$  typical into  $50\text{pF}$  @  $5\text{V } V_{CC}$
- Broad operating range:  $V_{CC} = 1.65\text{V} - 5.5\text{V}$
- Power down high-impedance inputs/outputs
- High output drive:  $\pm 24\text{mA}$  at  $3\text{V } V_{CC}$
- Package: 5-pin space saving SOT23 and SC70

**Description**

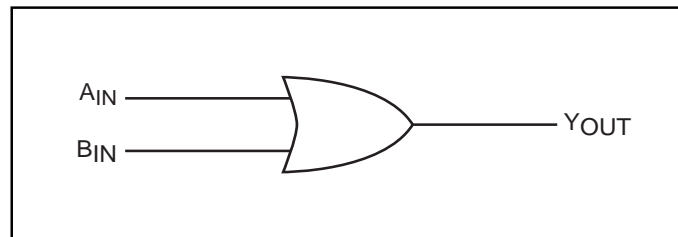
The PI74STX1G32 is a 2-input OR gate that operates over the 1.65V to 5.5V  $V_{CC}$  operating range.

Pericom's PI74STX series of products are produced using the Company's advanced submicron technology.

**Pinout**



**Block Diagram**



**Pin Description**

Pin Names	Description
$A_{IN}$	Input
$B_{IN}$	Input
$Y_{OUT}$	Output

**Function Table**

Inputs		Output
$A_{IN}$	$B_{IN}$	$Y_{OUT}$
L	L	L
L	H	H
H	L	H
H	H	H

**Note:**

H = HIGH Logic Level  
 L = LOW Logic Level

**Recommended Operating Conditions<sup>(1)</sup>**

Parameter	Condition	Min.	Max.	Units
Supply Voltage ( $V_{CC}$ )		1.65	5.5	V
Input Voltage ( $V_{IN}$ )		0	5.5	
Output Voltage ( $V_{OUT}$ )		0	$V_{CC}$	
Operating Temperature		-40	85	°C
Input Rise and Fall Time ( $t_r, t_f$ )	$V_{CC} = 1.8\text{V}, 2.5\text{V} \pm 0.2\text{V}$	0	20	ns/V
	$V_{CC} = 3.3\text{V}, \pm 0.3\text{V}$	0	10	
	$V_{CC} = 5.0\text{V}, \pm 0.5\text{V}$	0	5	

**Note:**

1. Unused inputs must be held HIGH or LOW. They may not float.



**PI74STX1G32**  
**SOTiny™ Gate STX**  
**2-Input OR**

### Absolute Maximum Ratings

Supply Voltage ( $V_{CC}$ )	-0.5V to +6V	DC $V_{CC}$ /GND Current ( $I_{CC}/I_{GND}$ )	±50mA
DC Input Voltage ( $V_{IN}$ )	-0.5V to +6V	Storage Temperature ( $T_{STG}$ )	-65°C to +150°C
DC Output Voltage ( $V_{OUT}$ )	-0.5V to +6V	Junction Lead Temperature (IOS)	200°C
DC Input Diode Current ( $I_{IK}$ )	-50mA to 20mA	Power Dissipation SOT23	200mW
DC Output Diode Current ( $I_{OK}$ )	-50mA to 20mA	SC70	150mW
DC Output Current ( $I_{OUT}$ )	±50mA		

#### Note:

Absolute maximum ratings are DC values beyond which the device may be damaged or have its useful life impaired. The datasheet specifications should be met, without exception, to ensure that the system design is reliable over its power supply, temperature, and output/input loading variables. Pericom does not recommend operation outside datasheet specifications.

### DC Electrical Characteristics (Over supply voltage and operating temperature ranges, unless otherwise specified)

Symbol	Parameter	$V_{CC}$ (V)	Conditions		$T_A = +25^\circ\text{C}$			$T_A = -40 \text{ to } +85^\circ\text{C}$		Units
					Min.	Typ.	Max.	Min.	Max.	
$V_{IH}$	HIGH Level Input Voltage	1.65-1.95 2.3-5.5			0.75 $V_{CC}$ 0.70 $V_{CC}$			0.75 $V_{CC}$ 0.70 $V_{CC}$		V
$V_{IL}$	LOW Level Input Voltage	1.65-1.95 2.3-5.5					0.25 $V_{CC}$ 0.30 $V_{CC}$	0.25 $V_{CC}$ 0.30 $V_{CC}$		
$V_{OH}$	HIGH Level Output Voltage	1.65	$V_{IN} = V_{IL}$	$I_{OH} = -100\mu\text{A}$	1.55	1.65		1.55		
		1.8			1.7	1.79	1.9			
		2.3			2.2	2.29		2.4		
		3.0			2.	2.99		2.3		
		4.5			4.4	4.5		4.4		
		1.65		$I_{OH} = -4\text{mA}$	1.29	1.52		1.29		
		2.3		$I_{OH} = -8\text{mA}$	1.9	2.13		1.9		
		3.0		$I_{OH} = -16\text{mA}$	2.4	2.71		2.4		
		3.0		$I_{OH} = -24\text{mA}$	2.3	2.55		2.3		
		4.5		$I_{OH} = -32\text{mA}$	3.8	4.20		3.8		
$V_{OL}$	LOW Level Output Voltage	1.65	$V_{IN} = V_{IH}$	$I_{OL} = 100\mu\text{A}$		0.01	0.1		0.1	
		1.8			0.01	0.1		0.1		
		2.3				0.01	0.1		0.1	
		3.0				0.00	0.1		0.1	
		4.5				0.00	0.1		0.1	
		1.65		$I_{OL} = 4\text{mA}$		0.08	0.24		0.24	
		2.3		$I_{OL} = 8\text{mA}$		0.10	0.3		0.3	
		3.0		$I_{OL} = 16\text{mA}$		0.18	0.4		0.4	
		3.0		$I_{OL} = 24\text{mA}$		0.28	0.55		0.55	
		4.5		$I_{OL} = 32\text{mA}$		0.28	0.55		0.55	
$I_{IN}$	Input Leakage Current	0-5.5	$V_{IN} = 5.5\text{V}, \text{GND}$		-1		1	-1	1	$\mu\text{A}$
$I_{OFF}$	Power Off Leakage Current	0.0	$V_{IN}$ or $V_{OUT} = 5.5\text{V}$		-1		1	-1	1	
$I_{CC}$	Quiescent Supply Current	1.65-5.5	$V_{IN} = 5.5\text{V}, \text{GND}$				2.0		20	



**PI74STX1G32**  
**SOTiny™ Gate STX**  
**2-Input OR**

### AC Electrical Characteristics

Symbol	Parameter	V <sub>CC</sub> (V)	Conditions	T <sub>A</sub> = +25°C			T <sub>A</sub> = -40 to +85°C		Units	Fig. No.
				Min.	Typ.	Max.	Min.	Max.		
t <sub>PLH</sub> , t <sub>PHL</sub>	Propagation Delay	1.8 ±0.15 2.5 ±0.2 3.3 ±0.3 5.0 ±0.5	C <sub>L</sub> = 15pF, R <sub>L</sub> = 1M ohm	0.7	5.8	7.0	0.7	7.7	ns	1
				0.5	3.4	4.3	0.5	4.7		3
				0.5	2.6	3.5	0.5	3.9		
				0.5	2.0	2.6	0.5	2.9		
t <sub>PLH</sub> , t <sub>PHL</sub>	Propagation Delay	3.3 ±0.3 5.0 ±0.5	C <sub>L</sub> = 50pF, R <sub>L</sub> = 500 ohms	0.5	3.4	4.7	1.5	5.1		1
				0.5	2.5	3.5	0.8	3.9		3
C <sub>IN</sub>	Input Capacitance	0	V <sub>IN</sub> = 0		4					
C <sub>PD</sub>	Power Dissipation Capacitance <sup>(3)</sup>	3.3 5.0			24				pF	2
					30					

#### Notes:

- C<sub>PD</sub> is defined as the value of the internal equivalent capacitance which is derived from dynamic operating current consumption (I<sub>CCD</sub>) at no output loading and operating at 50% duty cycle (see Figure 2). C<sub>PD</sub> is related to I<sub>CCD</sub> dynamic operating current by the expression: I<sub>CCD</sub> = (C<sub>PD</sub>)(V<sub>CC</sub>)(f<sub>IN</sub>) + (I<sub>CC</sub> static).

### AC Loading and Waveforms

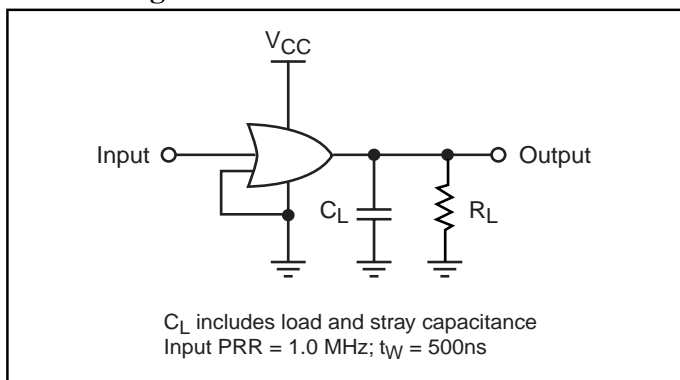


Figure 1. AC Test Circuit

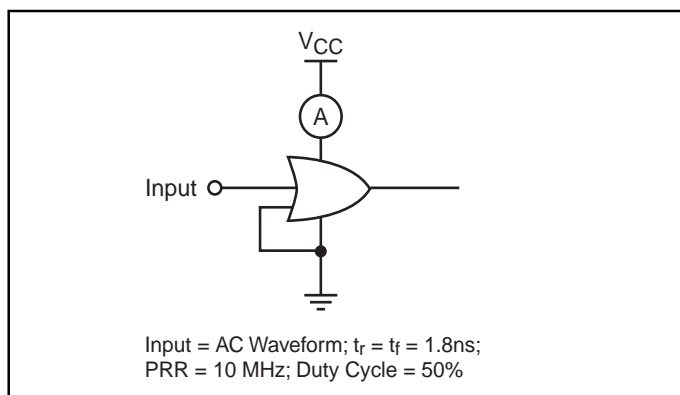


Figure 2. I<sub>CCD</sub> Test Circuit

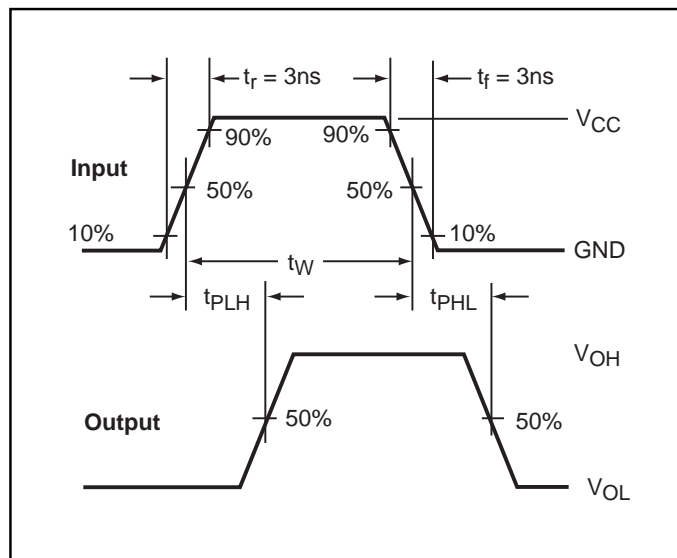
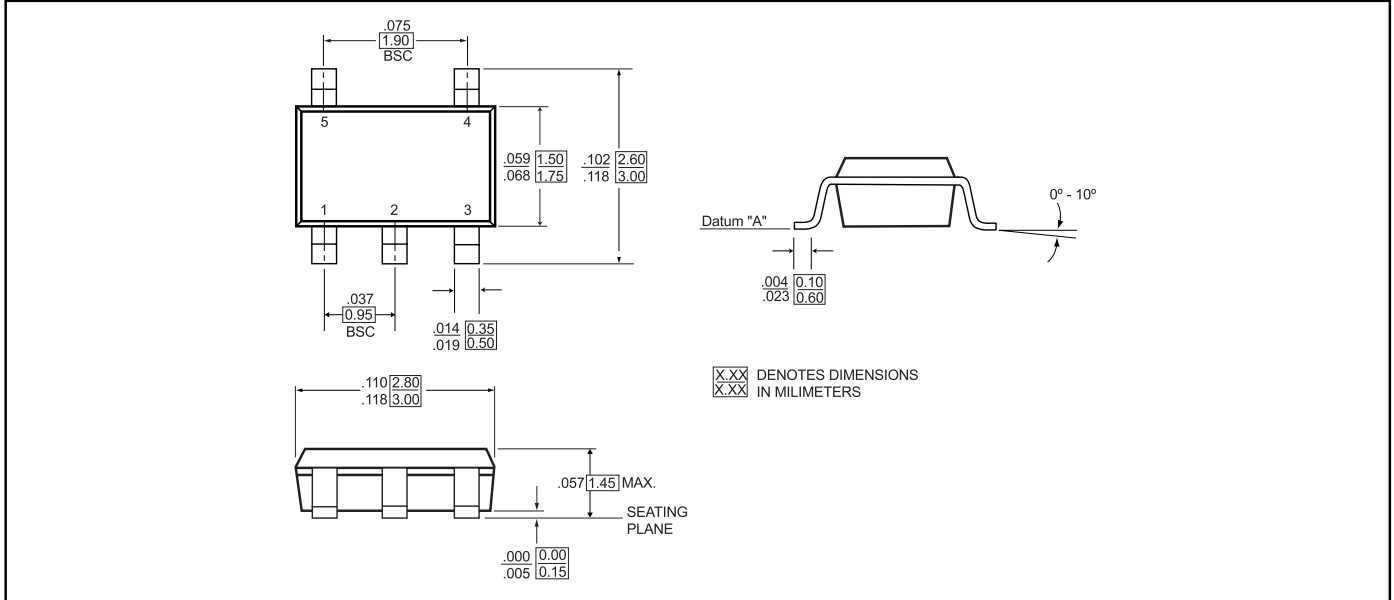


Figure 3. AC Waveforms

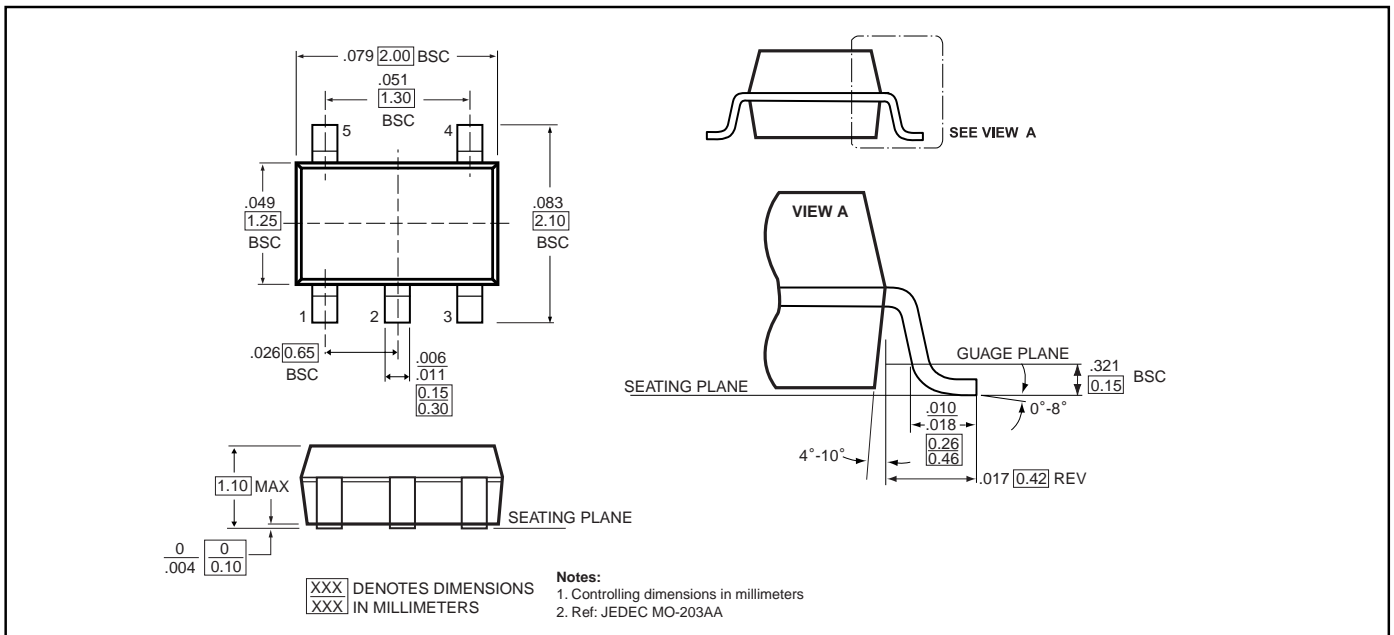


**PI74STX1G32**  
**SOTiny™ Gate STX**  
**2-Input OR**

**5-Pin SOT23 (T) Package**



**5-Pin SC70 Package (C)**



**Ordering Information**

Part	Pin-Package	Top Marking	Operating Range
PI74STX1G32TX	5-Pin - SOT23	X20	-40°C to 85°C
PI74STX1G32CX	5-Pin - SC70	X20	-40°C to 85°C

**Pericom Semiconductor Corporation**

2380 Bering Drive • San Jose, CA 95131 • 1-800-435-2336 • Fax (408) 435-1100 • http://www.pericom.com