

## Excellent Integrated System Limited

Stocking Distributor

Click to view price, real time Inventory, Delivery & Lifecycle Information:

[Pericom Semiconductor Corp.](#)  
[PI74STX1G79CX](#)

For any questions, you can email us directly:

[sales@integrated-circuit.com](mailto:sales@integrated-circuit.com)



## PI74STX1G79

### SOTiny™ Gate STX Single Positive-Edge-Triggered D-Type Flip-Flop

#### Features

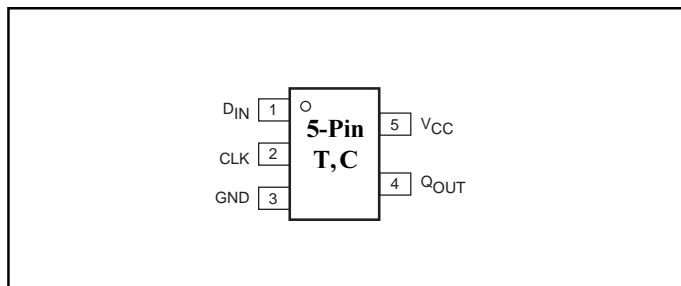
- High-speed:  $t_{PD} = 2.4\text{ns}$  typical into  $50\text{pF}$  @  $5\text{V } V_{CC}$
- Broad operating range:  $V_{CC} = 1.65\text{V} - 5.5\text{V}$
- Power down high-impedance inputs/outputs
- High output drive:  $\pm 24\text{mA}$  at  $3\text{V } V_{CC}$
- Package: 5-pin space saving SOT23 and SC70

#### Description

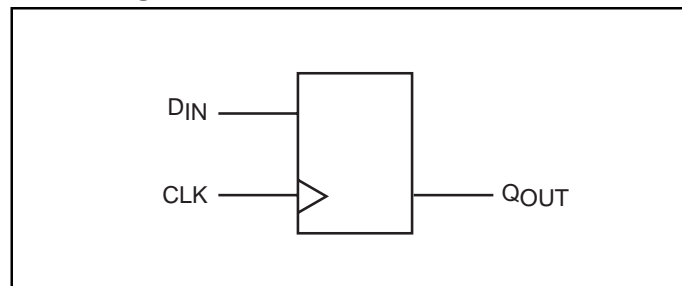
The PI74STX1G79 is a Single Positive-Edge-Triggered D-Type Flip-Flop that operates over the  $1.65\text{V}$  to  $5.5\text{V } V_{CC}$  operating range.

Pericom's PI74STX series of products are produced using the Company's advanced submicron technology.

#### Pinout



#### Block Diagram



#### Pin Description

Pin Names	Description
CLK	Clock
$D_{IN}$	Input
$Q_{OUT}$	Output

#### Function Table

Inputs		Output
CLK	D	Q
↑	H	H
↑	L	L
L	X	$Q_0$

#### Note:

- H = HIGH Voltage Level
- L = LOW Voltage Level
- X = Don't Care
- ↑ = LOW-to-HIGH Transition
- $Q_0$  = Level of Q before the indicated steady-state input conditions were established

#### Recommended Operating Conditions<sup>(1)</sup>

Parameter	Condition	Min.	Max.	Units
Supply Voltage ( $V_{CC}$ )		1.65	5.5	
Input Voltage ( $V_{IN}$ )		0	5.5	V
Output Voltage ( $V_{OUT}$ )		0	$V_{CC}$	
Operating Temperature		-40	85	°C
Input Rise and Fall Time ( $t_r, t_f$ )	$V_{CC} = 1.8\text{V}, 2.5\text{V} \pm 0.2\text{V}$	0	20	ns/V
	$V_{CC} = 3.3\text{V}, \pm 0.3\text{V}$	0	10	
	$V_{CC} = 5.0\text{V}, \pm 0.5\text{V}$	0	5	

#### Note:

- Unused inputs must be held HIGH or LOW. They may not float.



**PI74STX1G79**  
**SOTiny™ Gate STX Single Positive**  
**Edge-Triggered D-Type Flip-Flop**

**Absolute Maximum Ratings**

Supply Voltage ( $V_{CC}$ )	-0.5V to +6V	DC $V_{CC}/GND$ Current ( $I_{CC}/I_{GND}$ )	$\pm 50$ mA
DC Input Voltage ( $V_{IN}$ )	-0.5V to +6V	Storage Temperature ( $T_{STG}$ )	-65°C to +150°C
DC Output Voltage ( $V_{OUT}$ )	-0.5V to +6V	Junction Lead Temperature (IOS)	200°C
DC Input Diode Current ( $I_{IK}$ )	-50mA to 20mA	Power Dissipation SOT23	200mW
DC Output Diode Current ( $I_{OK}$ )	-50mA to 20mA	SC70	150mW
DC Output Current ( $I_{OUT}$ )	$\pm 50$ mA		

**Note:**

Absolute maximum ratings are DC values beyond which the device may be damaged or have its useful life impaired. The datasheet specifications should be met, without exception, to ensure that the system design is reliable over its power supply, temperature, and output/input loading variables. Pericom does not recommend operation outside datasheet specifications.

**DC Electrical Characteristics** (Over supply voltage and operating temperature ranges, unless otherwise specified)

Symbol	Parameter	$V_{CC}$ (V)	Conditions		$T_A = +25^\circ\text{C}$			$T_A = -40 \text{ to } +85^\circ\text{C}$		Units
					Min.	Typ.	Max.	Min.	Max.	
$V_{IH}$	HIGH Level Input Voltage	1.65-1.95 2.3-5.5			0.75 $V_{CC}$ 0.70 $V_{CC}$			0.75 $V_{CC}$ 0.70 $V_{CC}$		V
$V_{IL}$	LOW Level Input Voltage	1.65-1.95 2.3-5.5					0.25 $V_{CC}$ 0.30 $V_{CC}$	0.25 $V_{CC}$ 0.30 $V_{CC}$		
$V_{OH}$	HIGH Level Output Voltage	1.65	$V_{IN} = V_{IL}$	$I_{OH} = -100\mu\text{A}$	1.55	1.65		1.55		
		1.8			1.7	1.79		1.9		
$V_{OH}$	HIGH Level Output Voltage	2.3	$V_{IN} = V_{IL}$	$I_{OH} = -100\mu\text{A}$	2.2	2.29		2.4		
		3.0			2.	2.99		2.3		
$V_{OH}$	HIGH Level Output Voltage	4.5	$V_{IN} = V_{IL}$	$I_{OH} = -100\mu\text{A}$	4.4	4.5		4.4		
		1.65			$V_{IN} = V_{IL}$	$I_{OH} = -4\text{mA}$		1.29		
$V_{OH}$	HIGH Level Output Voltage	2.3	$V_{IN} = V_{IL}$	$I_{OH} = -8\text{mA}$			1.9	2.13		
		3.0			$V_{IN} = V_{IL}$	$I_{OH} = -16\text{mA}$	2.4	2.71		
$V_{OH}$	HIGH Level Output Voltage	3.0	$V_{IN} = V_{IL}$	$I_{OH} = -24\text{mA}$			2.3	2.55		2.3
		4.5			$V_{IN} = V_{IL}$	$I_{OH} = -32\text{mA}$	3.8	4.20		3.8
$V_{OL}$	LOW Level Output Voltage	1.65	$V_{IN} = V_{IH}$	$I_{OL} = 100\mu\text{A}$				0.01	0.1	0.1
		1.8				0.01	0.1	0.1		
$V_{OL}$	LOW Level Output Voltage	2.3	$V_{IN} = V_{IH}$	$I_{OL} = 100\mu\text{A}$		0.01	0.1	0.1	0.1	
		3.0				0.00	0.1	0.1		
$V_{OL}$	LOW Level Output Voltage	4.5	$V_{IN} = V_{IH}$	$I_{OL} = 100\mu\text{A}$		0.00	0.1	0.1	0.1	
		1.65			$V_{IN} = V_{IH}$	$I_{OL} = 4\text{mA}$		0.08	0.24	0.24
$V_{OL}$	LOW Level Output Voltage	2.3	$V_{IN} = V_{IH}$	$I_{OL} = 8\text{mA}$				0.10	0.3	0.3
		3.0			$V_{IN} = V_{IH}$	$I_{OL} = 16\text{mA}$		0.18	0.4	0.4
$V_{OL}$	LOW Level Output Voltage	3.0	$V_{IN} = V_{IH}$	$I_{OL} = 24\text{mA}$				0.28	0.55	0.55
		4.5			$V_{IN} = V_{IH}$	$I_{OL} = 32\text{mA}$		0.28	0.55	0.55
$I_{IN}$	Input Leakage Current	0-5.5	$V_{IN} = 5.5\text{V}, GND$				-1		1	-1
$I_{OFF}$	Power Off Leakage Current	0.0	$V_{IN}$ or $V_{OUT} = 5.5\text{V}$		-1		1	-1	1	
$I_{CC}$	Quiescent Supply Current	1.65-5.5	$V_{IN} = 5.5\text{V}, GND$				2.0		20	



**PI74STX1G79**  
**SOTiny™ Gate STX Single Positive**  
**Edge-Triggered D-Type Flip-Flop**

**AC Electrical Characteristics**

Symbol	Parameter	V <sub>CC</sub> (V)	Conditions	T <sub>A</sub> = +25°C			T <sub>A</sub> = -40°C to +85°C		Units	Fig. No.
				Min.	Typ.	Max.	Min.	Max.		
f <sub>MAX</sub>	Maximum Clock Frequency	1.8 ±0.15 2.5 ±0.2 3.3 ±0.3 5.0 ±0.5	C <sub>L</sub> = 50pF, R <sub>L</sub> = 500 ohms	100 125 150 150			100 125 150 150		MHz	1 3
t <sub>PLH</sub> , t <sub>PHL</sub>	Propagation Delay CLK to Q <sub>OUT</sub>	1.8 ±0.15 2.5 ±0.2 3.3 ±0.3 5.0 ±0.5	C <sub>L</sub> = 15pF, R <sub>L</sub> = 1 Mohm	3.0 1.8 1.5 1.0	6.6 3.7 2.8 2.1	7.2 4.1 3.2 2.6	3.0 1.8 1.5 1.0	7.9 4.5 3.5 2.9	ns	1 3
		3.3 ±0.3 5.0 ±0.5	C <sub>L</sub> = 50pF, R <sub>L</sub> = 500 ohms	1.5 1.0	3.3 2.4	4.5 3.2	1.5 1.0	5.0 3.5		1 3
t <sub>S</sub>	Setup Time, CLK to D <sub>IN</sub>	1.8 ±0.15 2.5 ±0.2 3.3 ±0.3 5.0 ±0.5	C <sub>L</sub> = 50pF, R <sub>L</sub> = 500 ohms	4.0 2.0 1.5 1.1	3.0 1.5 1.1 0.9					1 4
t <sub>H</sub>	Hold Time, CLK to D <sub>IN</sub>	1.8 ±0.15 2.5 ±0.2 3.3 ±0.3 5.0 ±0.5	C <sub>L</sub> = 50pF, R <sub>L</sub> = 500 ohms	0.4 0.5 0.5 0.5	0 0 0 0		0.4 0.5 0.5 0.5			1 4
t <sub>w</sub>	Pulse Width, CLK	1.8 ±0.15 2.5 ±0.2 3.3 ±0.3 5.0 ±0.5	C <sub>L</sub> = 50pF, R <sub>L</sub> = 500 ohms	2.5 2.5 2.5 2.5			2.5 2.5 2.5 2.5			1 4

**Capacitance<sup>(3)</sup>**

Symbol	Parameter	Typ.	Max.	Units	Conditions
C <sub>IN</sub>	Input Capacitance	3		pF	V <sub>CC</sub> = Open, V <sub>IN</sub> = 0V or V <sub>CC</sub>
C <sub>OUT</sub>	Output Capacitance	4			V <sub>CC</sub> = 3.3V, V <sub>IN</sub> = 0V or V <sub>CC</sub>
C <sub>PD</sub>	Power Dissipation Capacitance <sup>(4)</sup>	8 10 12 14			V <sub>CC</sub> = 1.8V V <sub>CC</sub> = 2.5V V <sub>CC</sub> = 3.3V V <sub>CC</sub> = 5.0V

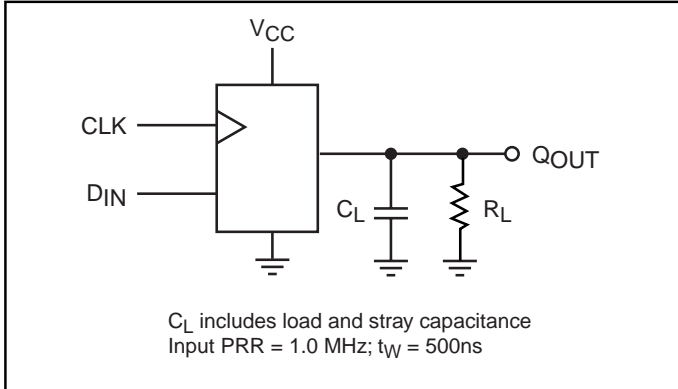
**Notes:**

- T<sub>A</sub> = +25°C, f = 1 MHz
- C<sub>PD</sub> is defined as the value of the internal equivalent capacitance which is derived from dynamic operating current consumption (I<sub>CCD</sub>) at no output loading and operating at 50% duty cycle (see Figure 2). C<sub>PD</sub> is related to I<sub>CCD</sub> dynamic operating current by the expression: I<sub>CCD</sub> = (C<sub>PD</sub>)(V<sub>CC</sub>)(f<sub>IN</sub>) + (I<sub>CC</sub> static).

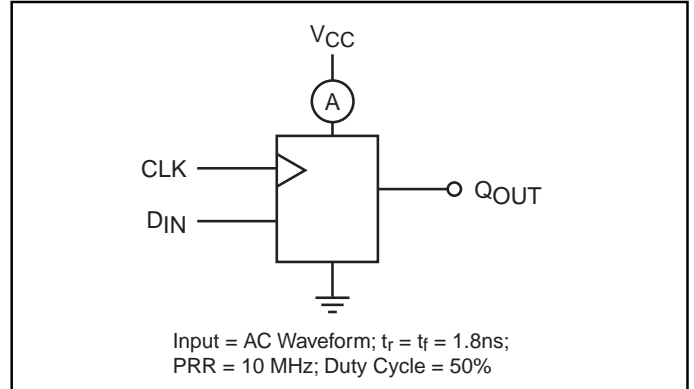


**PI74STX1G79**  
**SOTiny™ Gate STX Single Positive**  
**Edge-Triggered D-Type Flip-Flop**

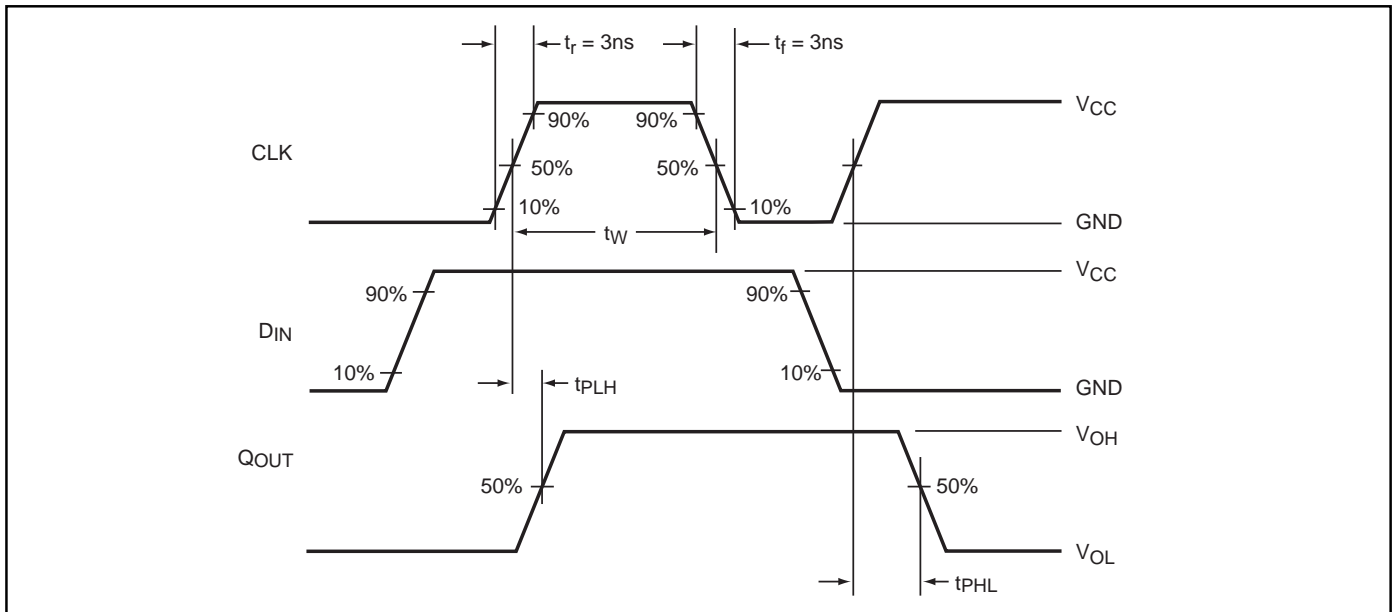
**AC Loading and Waveforms**



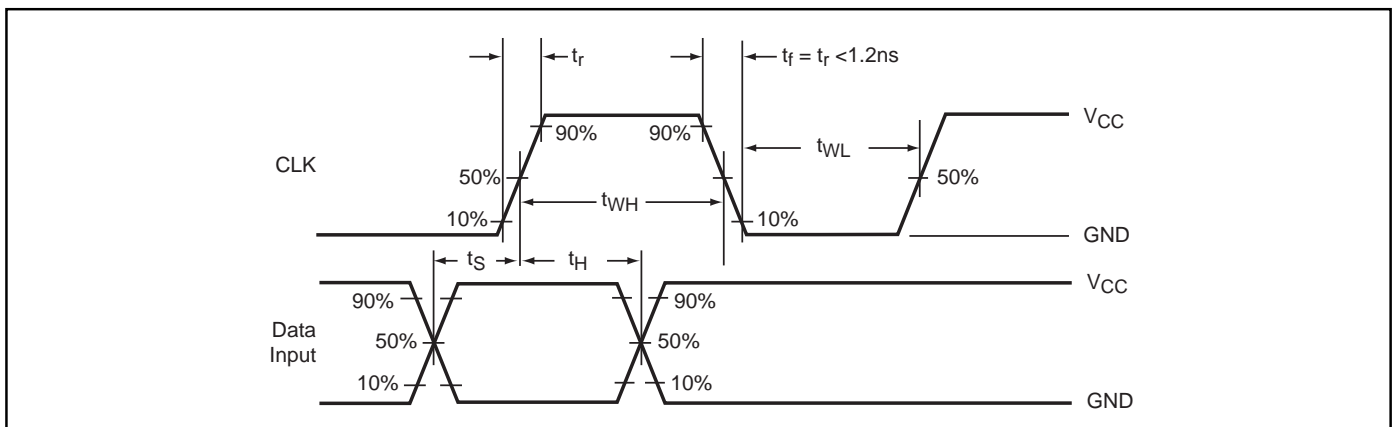
**Figure 1. AC Test Circuit**



**Figure 2. ICCD Test Circuit**



**Figure 3. AC Waveforms**

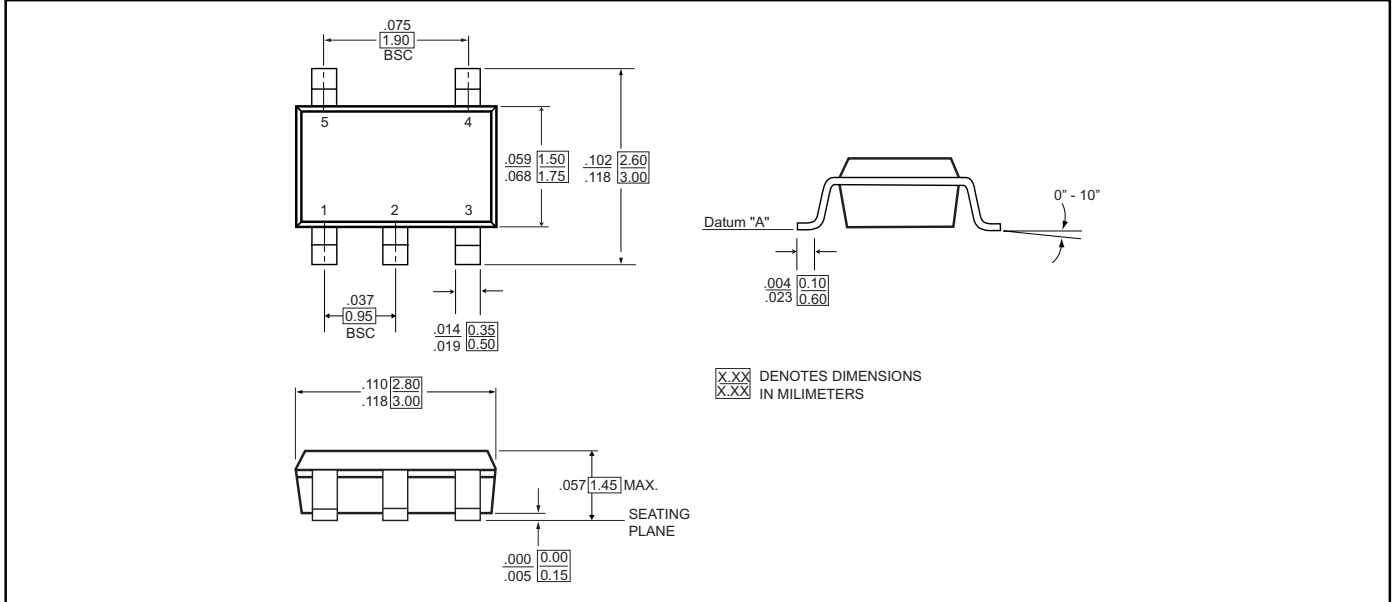


**Figure 4. AC Waveforms**

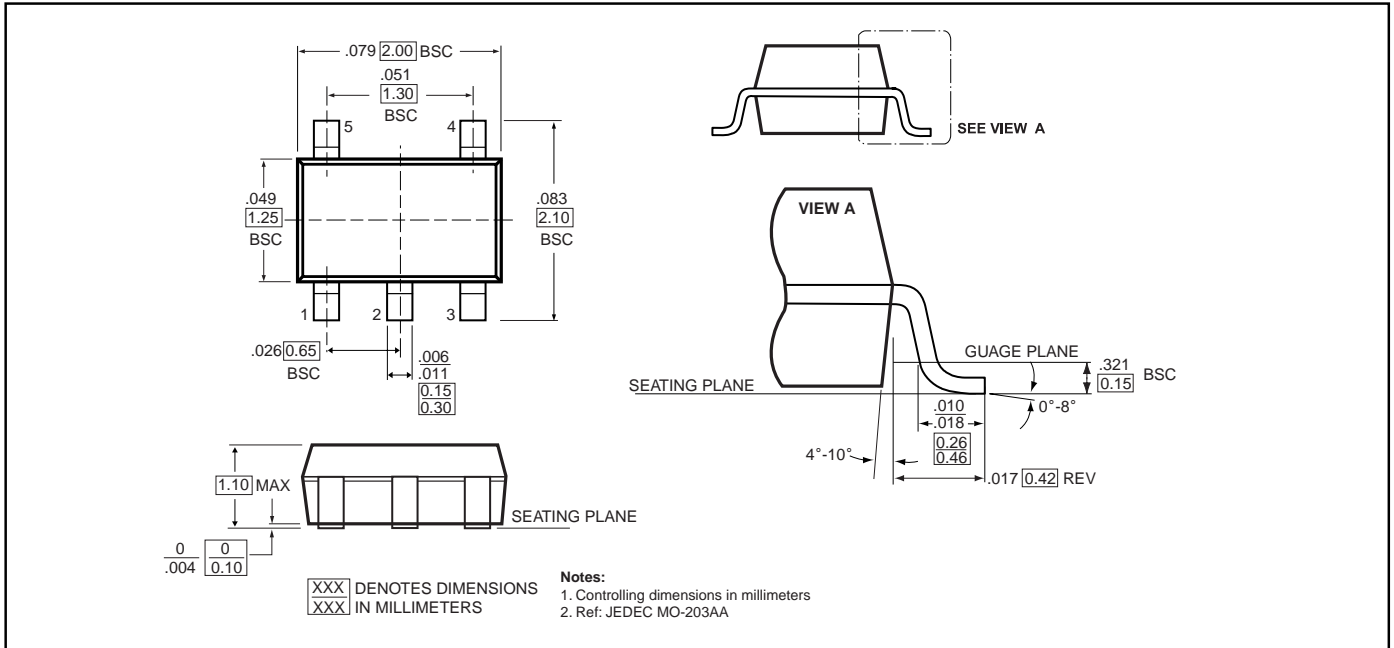


**PI74STX1G79**  
**SOTiny™ Gate STX Single Positive**  
**Edge-Triggered D-Type Flip-Flop**

**5-Pin SOT23 (T) Package**



**5-Pin SC70 Package (C)**



**Ordering Information**

Part	Pin-Package	Top Marking	Operating Range
PI74STX1G79TX	5-Pin - SOT23	M4F	-40°C to 85°C
PI74STX1G79CX	5-Pin - SC70	M4F	-40°C to 85°C

**Pericom Semiconductor Corporation**

2380 Bering Drive • San Jose, CA 95131 • 1-800-435-2336 • Fax (408) 435-1100 • http://www.pericom.com