



Distributor of Pulse Electronics Corporation: Excellent Integrated System Limited
Datasheet of E8110-001-01 - Connector Receptacle USB - micro AB 3.0, Super Speed 10
Position Surface Mount, Right Angle, Horizontal

Contact us: sales@integrated-circuit.com Website: www.integrated-circuit.com

Excellent Integrated System Limited

Stocking Distributor

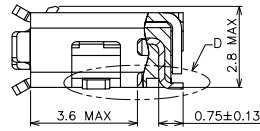
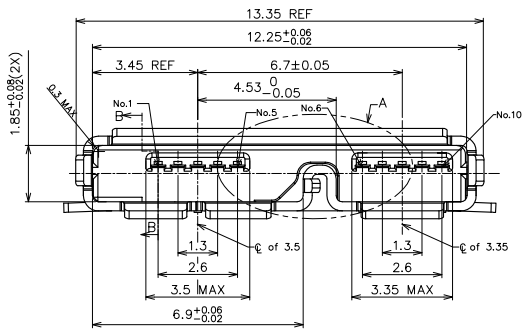
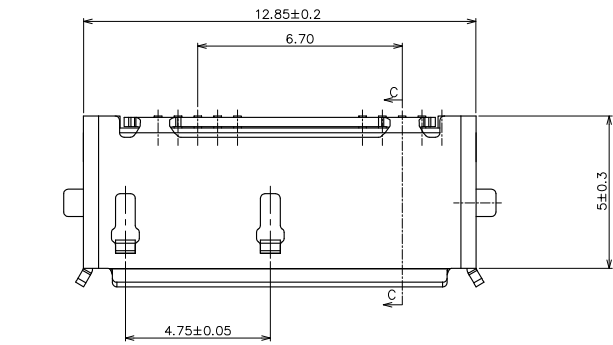
Click to view price, real time Inventory, Delivery & Lifecycle Information:

[Pulse Electronics Corporation](#)
[E8110-001-01](#)

For any questions, you can email us directly:
sales@integrated-circuit.com

Contact us: sales@integrated-circuit.com Website: www.integrated-circuit.com

REVISION RECORD		
REV	DESCRIPTION	DRFT



SECTION C-C

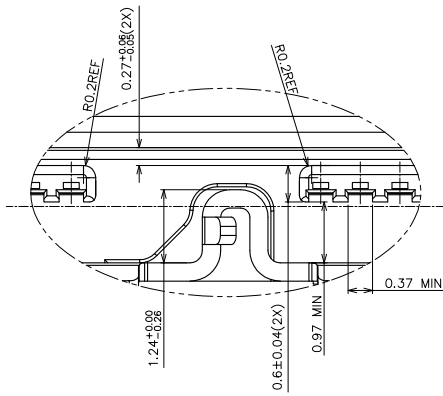
NOTES :
 MATERIAL :
 1.PLASTIC: NYLON UL 94V-0 COLOR:BLACK
 2.COVER: STAINLESS STEEL
 PLATING: UNDERPLATING ALL OVER CU 20u"Min, PLATING NICKEL 50-120u"
 3. TERMINAL: PHOSPHOR BRONZE T=0.2±0.01mm;
 PLATING GOLD 3u" ALL OVER
 UNDERPLATING ALL OVER NICKEL 50u" Min.
 ELECTRICAL CHARACTERISTICS
 1.CURRENT RATING: 1.8A
 2. CONTACT RESISTANCE: 30mΩMAX.
 3.DIELECTRICAL WITHSTANDING: 100V AC/1min.
 4.INSULATION RESISTANCE: 100MΩMin.
 MECHANICAL CHARACTERISTICS
 1.MATING FORCE: 3.57Kgf MAX(35N MAX).
 2.UNMATING FORCE: 0.8Kgf Min(8N Min).
 3.DURABILITY: 10000 CYCLES .
 OTHERS:
 1.OPERATION TEMPERATURE:-20°cto+80°c

MM (INCH)		DFIG: Roy	DATE: 11/20/2012		RoHS Compliant
TOLERANCES EXCEPT AS NOTED: MM ± 0.38 .01 ± 0.30 .00 ± 0.13 .000 ± 0.05		CHKD:	DATE:	TITLE: USB 3.0 MICRO-AB RECEPTACLE	
DEPARTMENTS:		APPR:	DATE:	DRAWING NO. E8110-001-01 /PART NO. E8110-001-01	
ANGLES ± 2°		QTY:		SIZE: A3	REV: 01
 THIRD ANGLE PROJECTION		FINISH:		DO NOT SCALE DRAWING	
SCALE: 1:1		SHEET 1 OF 2		SHEET 1 OF 2	

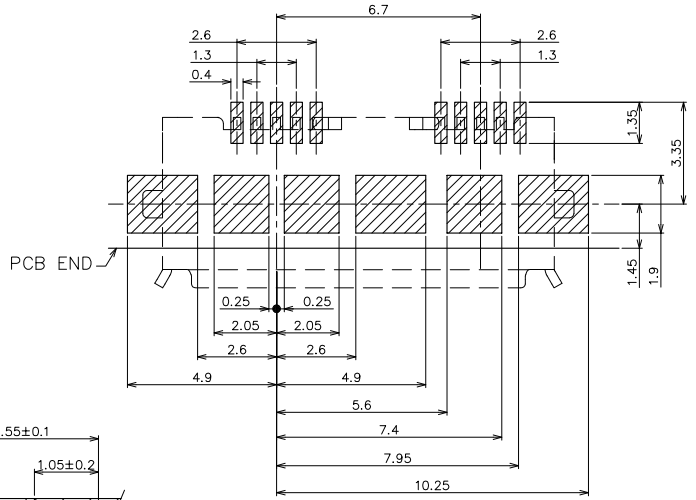
8 | 7 | 6 | 5 | 4 | 3 | 2 | 1

Contact us: sales@integrated-circuit.com Website: www.integrated-circuit.com

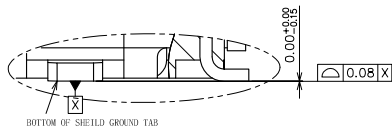
REVISION RECORD		
REV	DESCRIPTION	DRF1



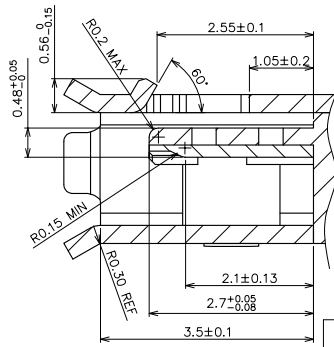
DETAIL A
SCALE 2:1



RECOMMENDED PCB LAYOUT
TOP VIEW (TOLERANCE: ±0.05)



DETAIL D
SCALE 2:1



SECTION B-B
SCALE 2:1

DEPARTMENTS TOLERANCES EXCEPT AS NOTED: .MM ± 0.38 .0 ± 0.30 .00 ± 0.13 .000 ± 0.05	DFW: Roy DATE: 11/20/2012		RoHS Compliant		
	CHKD: _____ DATE: _____ APPVL: _____ DATE: _____ MATERIAL: _____		TITLE: USB 3.0 MICRO-AB RECEPTACLE		
	ANGLS: 2° 	QTY: _____ FINISH: _____ SCALE: 1:1	DRAWING NO. E8110-001-01 /PART NO. E8110-001-01	SIZE A3 REV 01	SHEET 2 OF 2
	DO NOT SCALE DRAWING		DO NOT SCALE DRAWING		

8 | 7 | 6 | 5 | 4 | 3 | 2 | 1