

Excellent Integrated System Limited

Stocking Distributor

Click to view price, real time Inventory, Delivery & Lifecycle Information:

[Tamura](#)
[420AS12075](#)

For any questions, you can email us directly:

sales@integrated-circuit.com



REV. Status

REVISION -
10/25/01 RJ

REVISION A
CHANGED
INPUT TO 11W
02/28/02 RJ

REVISION B
REVISED PLUG
LOCATION. ADDED
RoHS
05/23/06 MP

REVISION C
DELETED PLUG
POLARITY
08/01/06 MP

AC-AC UL/cUL ADAPTOR AC 12V 750mA

A. Electrical specifications

1. Input voltage: AC 120V ±10% 60Hz ±0.5Hz
2. Output voltage and current: AC 12V at 750mA

V _{in}	100% Load	No Load
108	9.5VAC MIN	-
120	11.5-12.5VAC	15.0VAC MAX
132	-	16.0VAC MAX

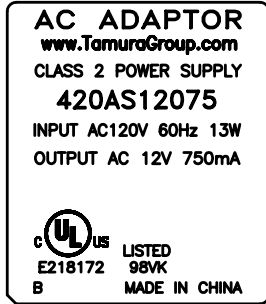
NOTE: Specification applies after 10 minutes warm-up with full load and at any operating temperature.

3. Operating temperature: -10°C to +40°C
4. Storage temperature: -20°C to +85°C
5. Operating and Storage Humidity: 0 to 95% without condensation
6. Withstand voltage: AC 1000Vrms 1 minute @ input to output

B. Typical performance data test Condition:
 T_a = +25°C measured after 10 minute warm-up with input at 120V 60Hz

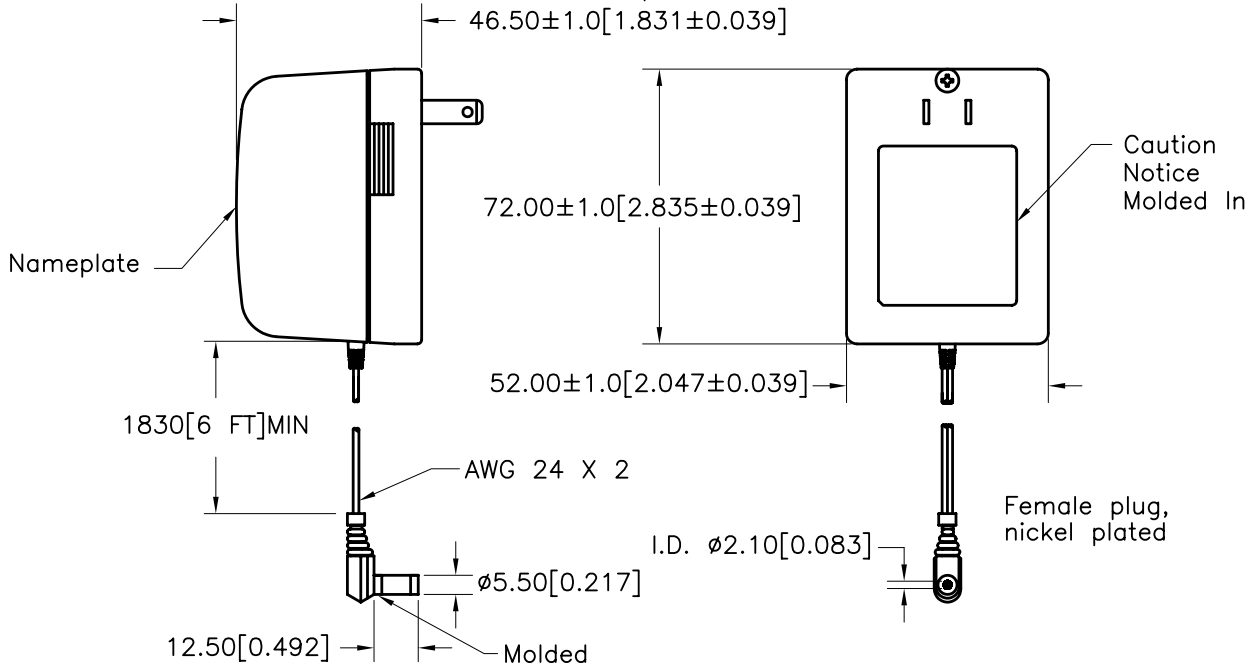
C. Safety agencies
 UL and cUL File No. E218172

D. Nameplate: Information is as follows:
 Metallic letters on a black background

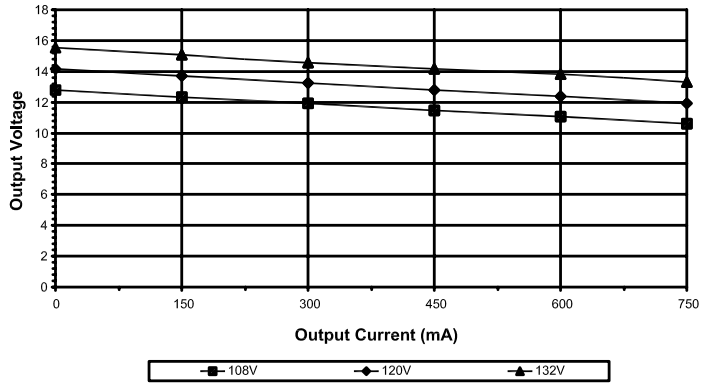


E. Mechanical Specifications

All dimensions shown are nominal unless otherwise specified



TYPICAL PERFORMANCE CHART



PREPARED BY:

K. BRENNAN

ENGINEER:

M. PITCHAI

QUALITY CONTROL:

T. CLEM

APPROVED:

Y. SEKIGUCHI

DWG CONTROL NO.
P-A7-12950
ACAD\PS\A7129501.DWG

REV
C

UL/cUL AC 12V 750mA
POWER SUPPLY

TAMURA CORPORATION OF AMERICA
 43352 BUSINESS PARK DRIVE, TEMECULA, CA. 92590-6624
 (951) 699-1270 FAX 9516769482

420AS12075

MODEL SPECIFICATION

DIM: mm(In) SCL: NONE SH: 1 OF 1

PROPRIETARY NOTICE: THIS DRAWING PRINT OR DOCUMENT AND SUBJECT MATTER DISCLOSED HEREIN ARE PROPRIETARY ITEMS TO WHICH TAMURA RETAINS THE EXCLUSIVE RIGHT OF DISSEMINATION, REPRODUCTION, MANUFACTURE AND SALE. THIS DRAWING, PRINT OR DOCUMENT IS SUBMITTED IN CONFIDENCE FOR CONSIDERATION BY THE RECIPIENT ALONE UNLESS PERMISSION FOR FURTHER DISCLOSURE IS EXPRESSLY GRANTED IN WRITING.