

Excellent Integrated System Limited

Stocking Distributor

Click to view price, real time Inventory, Delivery & Lifecycle Information:

[Anaren](#)
[C10A50Z4](#)

For any questions, you can email us directly:
sales@integrated-circuit.com

Surface Mount Termination
10 Watts, 50Ω

Description



The C10A50Z4 is high performance RoHS compliant Alumina (Al₂O₃) surface mount termination intended as a lower cost alternative to Aluminum Nitride (AlN) and Beryllium Oxide (BeO). The termination is well suited to all cellular frequency bands such as; AMPS, GSM, DCS, PCS, PHS and UMTS. The high power handling makes the part ideal for terminating 90 degree hybrid directional couplers, and for use in isolators

General Specifications

Resistive Element	Thick film
Substrate	Al ₂ O ₃ Ceramic
Terminal Finish	Matte Tin over Nickel Barrier
Operating Temperature	-55 to +125°C (see de-rating chart)

Tolerance is ±0.010", unless otherwise specified. Designed to meet or exceed applicable portions of MIL-E-5400. **All dimensions in inches.**

Features:

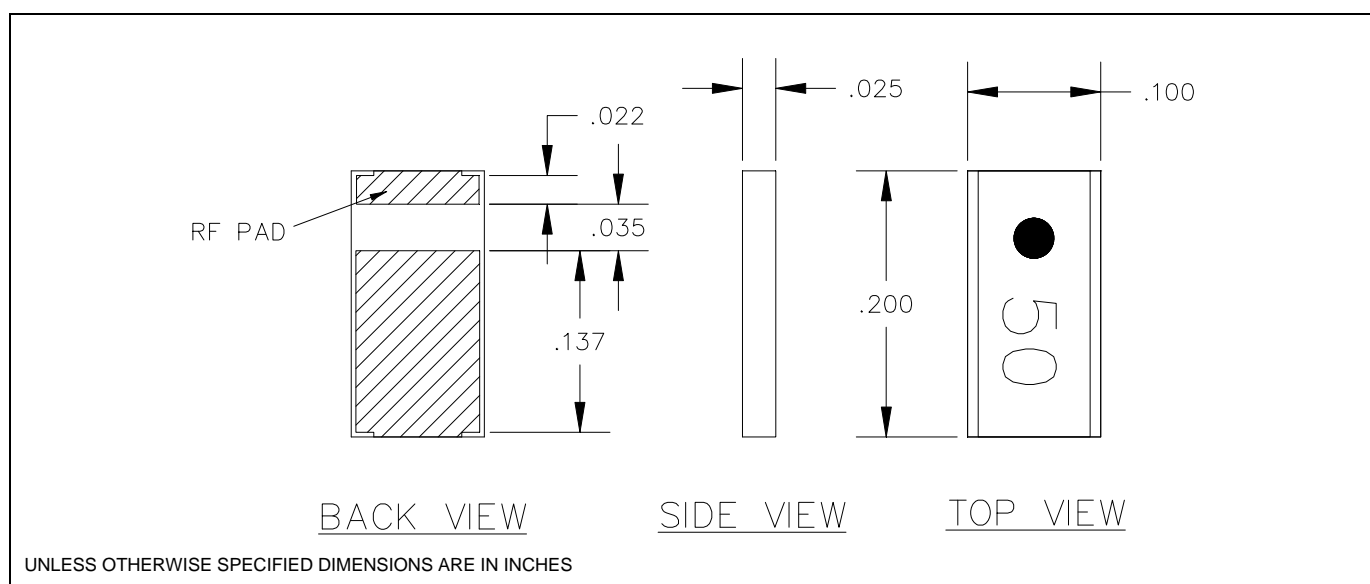
- RoHS Compliant
- 10 Watts
- DC – 3.0 GHz
- Al₂O₃ Ceramic
- Non-Nichrome Resistive Element
- Low VSWR
- 100% Tested

Electrical Specifications

Resistance Value:	50 Ohms, ± 2%
Power:	10 Watts
Frequency Range:	DC – 3.0 GHz
V.S.W.R.:	< 1.25:1

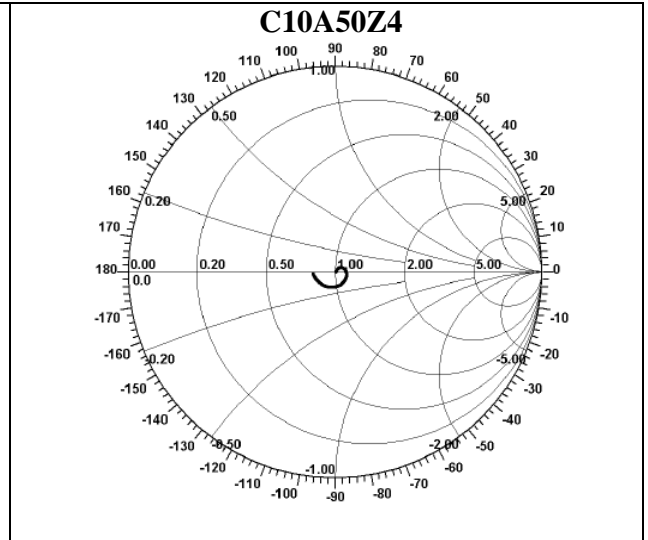
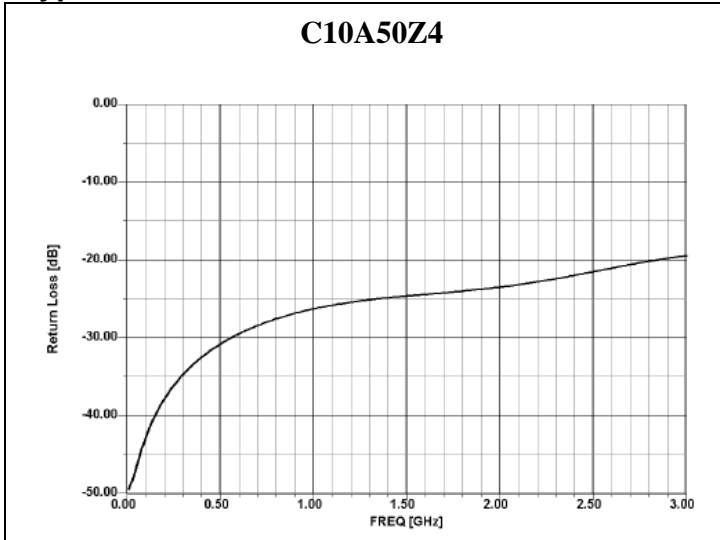
Specification based on unit properly installed using suggested mounting instructions and a 50 ohm nominal impedance. **Specifications subject to change without notice.**

Outline Drawing

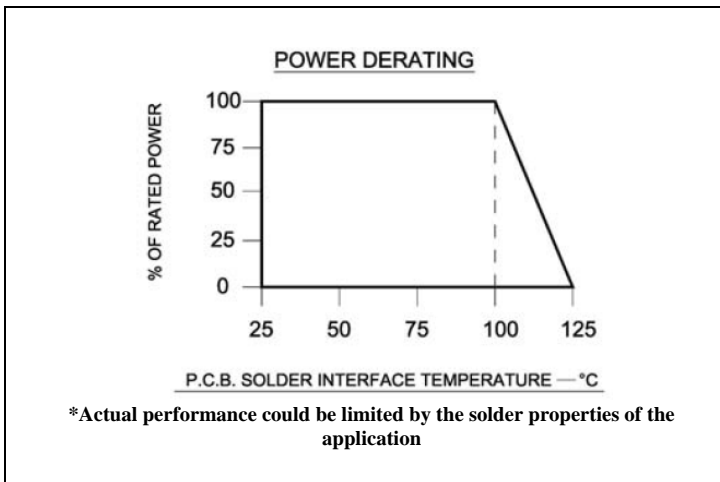


Model C10A50Z4

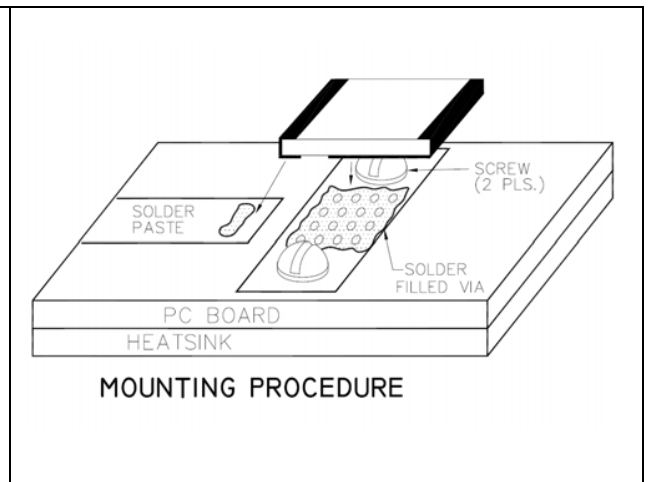
Typical Performance:



Power De-rating:



Mounting Footprint and Procedure:



Tape & Reel:

