

## Excellent Integrated System Limited

Stocking Distributor

Click to view price, real time Inventory, Delivery & Lifecycle Information:

[CTS Electronic Components](#)

[4101-008](#)

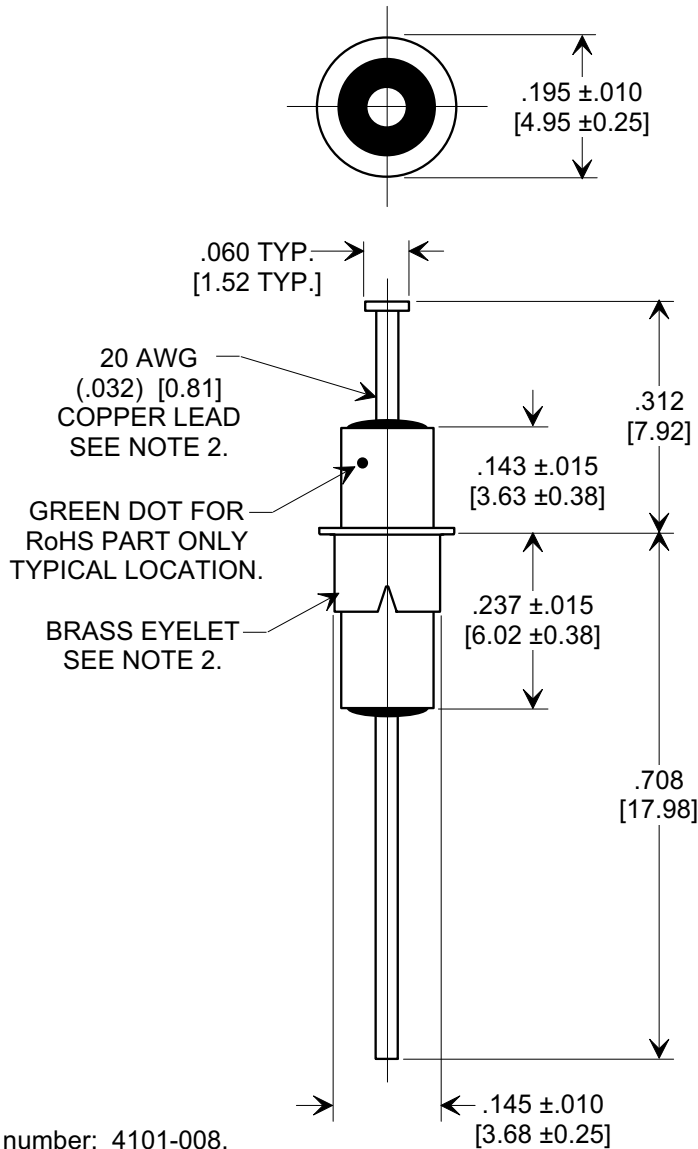
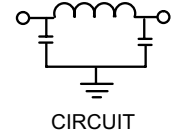
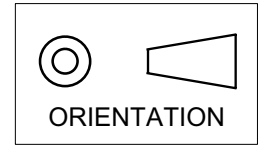
For any questions, you can email us directly:

[sales@integrated-circuit.com](mailto:sales@integrated-circuit.com)

**MARKETING SALES DRAWING**

**DIMENSIONS IN INCHES - DO NOT SCALE THIS DRAWING**  
**DIMENSIONS IN METRIC - [ ]**

Electrical Testing  
 per Tusonix standard  
 test plans and Mil-Std-202  
 Test Methods.



Notes:

- Tusonix Standard part number: 4101-008.  
 Tusonix RoHS compliant part number: 4101-008 LF.  
 Customer must specify Standard or RoHS part number when ordering.
- Lead finish: Standard Part No.: 60/40 solder plated. RoHS Part No. Silver Plated.  
 Eyelet finish Standard Part No.: 60/40 solder plated. RoHS Part No. Silver Plated.
- Part Marking: Standard has no marking. RoHS part: Green Dot.

MIN. CAP (pF)	WORKING VOLTAGE (VDC)		CURRENT I <sub>dc</sub>	I.R. MIN. @ 100 (VDC.)	DWV 25 SEC. (VDC)	MINIMUM NO-LOAD INSERTION LOSS (dB) AT 25°C PER MIL-STD-220			
	85°C	125°C				10 MHz	100 MHz	1 GHz	10 GHz
5500	200 VDC	100 VDC	10A	10 G Ω	400	14	55	70	70

X-2015 Rev-0

<b>REVISION RECORD</b> Original Release C.O. 0 CHANGED TOL. +.005, -.010 WAS ±.010, 200 VDC WAS 140 & 70. E.C. 11-05-87 1 WAS SK6848-000-S ADDED .060 TYP DIM. E.C. 11-23-87 2 3643 DWG. # WAS 4101-008-000-S. E.C. 01-21-88 3 4301 RDN TO COMP FMT. & ADDED METRIC. DIM. .143 WAS .156 & DIM. .237 WAS .250. DELETED S. WASHERS. S.M. 01-19-00 4 20000120-1-01 TOL. ±.010 WAS +.005 -.010. 100VDC WAS 200. ADDED TINNED COPPER.S.M. 07-14-03 5 20030711-1-02 ADDED NOTES, IR & DWV. S.M. 09-14-05 6 20050829-1-06	--TOLERANCES-- Unless Otherwise Specified		Title <b>EYELET STYLE EMI FILTER</b>	
	DECIMAL ± .031 [.79]		Drawn S.M. 01-19-00 Scale 4 X	
	ANGLES ±		Approved T.C. 01-19-00	
	<b>TUSONIX</b> TUCSON, ARIZONA		<b>A</b>	
			<b>4101-008</b>	