



# FPF2495 IntelliMAX™ 28 V, Over-Voltage, Over-Current Protection Load Switch with Adjustable Current-Limit Control

## Features

- $V_{IN}$ : 2.5 V~5.5 V
- 28 V Absolute Ratings at  $V_{OUT}$
- Current Capability: 2 A
- Adjustable Current Limit: 0.05 A ~ 2 A (Typ.)
  - 0.1 A~2 A with 10% Accuracy
  - < 0.1A with 15% Accuracy
- $R_{ON}$ : Maximum 100 m $\Omega$  at 5  $V_{IN}$  and 1 A  $I_{OUT}$
- Output OVP: Min.=5.6 V, Typ.=5.8 V, Max.=6 V
- No Output Discharge During Off State
- Open-Drain OCP on FLAGB
- Thermal Shutdown
- Under-Voltage Lockout (UVLO)
- True Reverse-Current Blocking (TRCB)
- Logic CMOS IO Meets JESD76 Standard for GPIO Interface and Related Power Supply Requirements
- ESD Protected:
  - Human Body Model: >2 kV
  - Charged Device Model: >2.5 kV
  - IEC 61000-4-2 Air Discharge: >15 kV
  - IEC 61000-4-2 Contact Discharge: >8 kV

## Description

The FPF2495 advanced load-management switch targets applications requiring a highly integrated solution. It disconnects loads powered from the DC power rail (<6 V) with stringent off-state current targets and high load capacitances (<100  $\mu$ F). The FPF2495 consists of a slew-rate controlled low-impedance MOSFET switch (100 m $\Omega$  maximum) and integrated analog features. The slew-rate controlled turn-on characteristic prevents inrush current and the resulting excessive voltage droop on power rails. FPF2495 has over-voltage protection and over-temperature protection.

The FPF2495 has a True Reverse-Current Blocking (TRCB) function that obstructs unwanted reverse current from  $V_{OUT}$  to  $V_{IN}$  during ON and OFF states. The exceptionally low off-state current drain (<2  $\mu$ A maximum) facilitates compliance with standby power requirements. The input voltage range operates from 2.5 V to 5.5  $V_{DC}$  to support a wide range of applications in consumer, optical, medical, storage, portable, and industrial-device power management. Switch control is managed by a logic input (active HIGH) capable of interfacing directly with low-voltage control signal / General-Purpose Input / Output (GPIO) without an external pull-down resistor.

The device is packaged in advanced, fully “green” compliant, 1.21 mm x 1.21 mm, Wafer-Level Chip-Scale Package (WLCSP).

## Applications

- Smart Phones, Tablet PCs
- Storage, DSLR, and Portable Devices

## Ordering Information

Part Number	Operating Temperature Range	Package	Packing Method	Top Mark
FPF2495UCX	-40 to 85°C	1.21 mm x 1.21 mm, Wafer-Level Chip-Scale Package (WLCSP)	Tape & Reel	TH

### Application Diagram

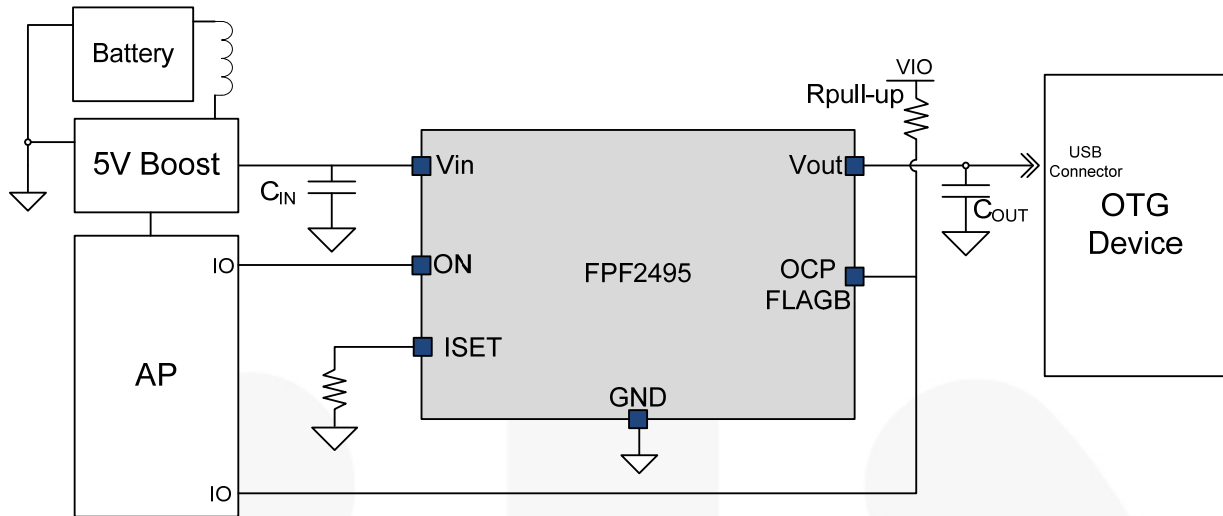


Figure 1. Typical Application

**Note:**

1. C<sub>IN</sub> and C<sub>OUT</sub> capacitors recommended for improvement of device stability.

### Functional Block Diagram

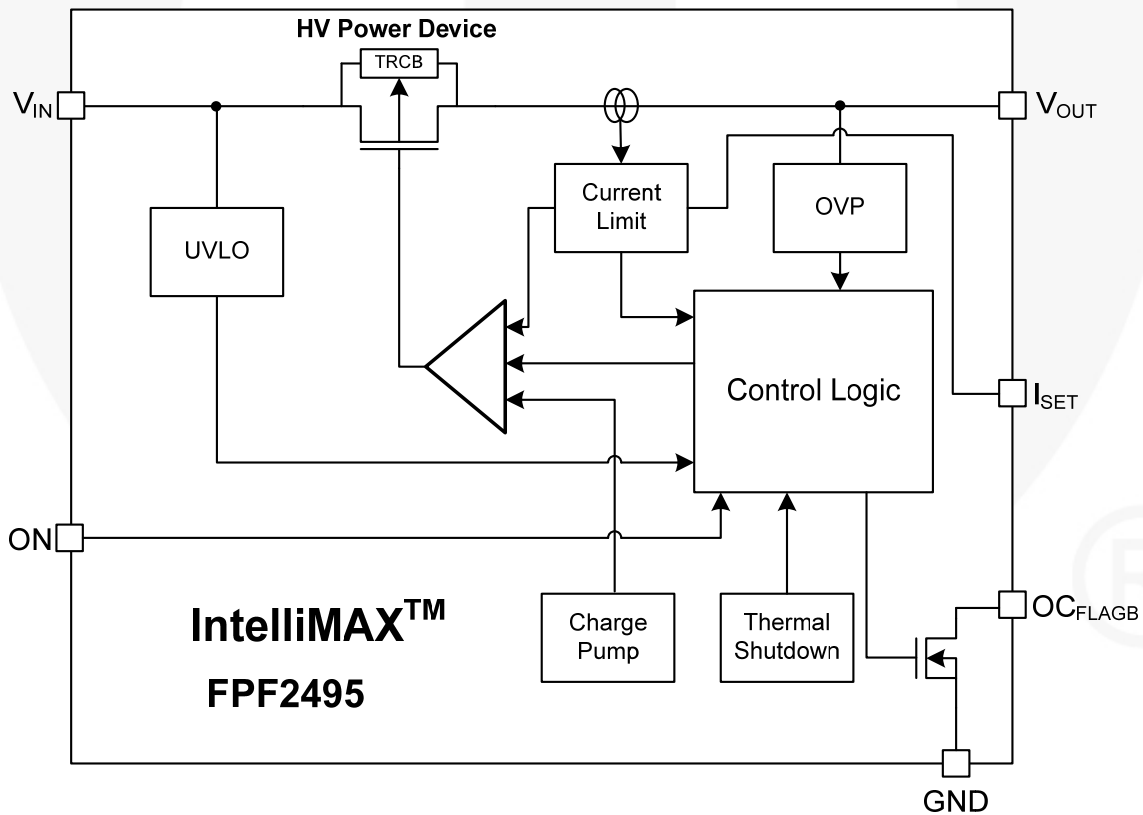


Figure 2. Functional Block Diagram

## Pin Configurations

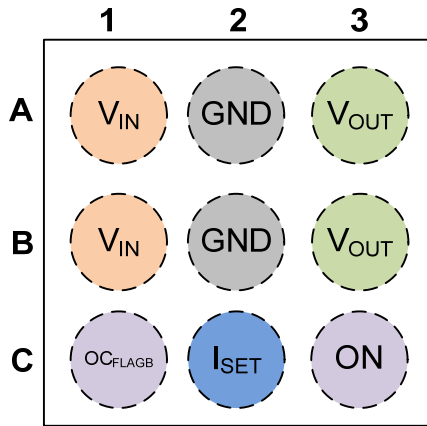


Figure 3. Pin Assignments (Top View)

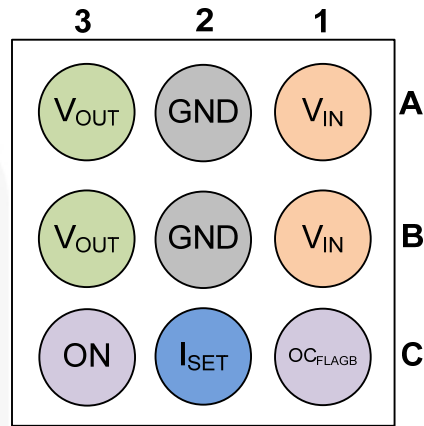


Figure 4. Pin Assignments (Bottom View)

## Pin Description

Pin #	Name	Description		
A3, B3	V <sub>OUT</sub>	<b>Switch Output</b>		
A1, B1	V <sub>IN</sub>	<b>Supply Input:</b> Input to the power switch		
A2	GND	<b>Ground</b> (true device ground)		
B2				
C3	ON	<b>ON/OFF Control Input:</b> Active HIGH - GPIO compatible	<b>Logic HIGH</b>	Switch Enable
			<b>Logic LOW</b>	Switch Disable
C1	OC <sub>FLAGB</sub>	<b>Fault Output:</b> Active LOW, open-drain output that indicates an input over current. External pull-up resistor to V <sub>CC</sub> is required.		
C2	I <sub>SET</sub>	<b>Current Limit Set Input:</b> A resistor from ISET to ground sets the current limit for the switch.		

## Absolute Maximum Ratings

Stresses exceeding the absolute maximum ratings may damage the device. The device may not function or be operable above the recommended operating conditions and stressing the parts to these levels is not recommended. In addition, extended exposure to stresses above the recommended operating conditions may affect device reliability. The absolute maximum ratings are stress ratings only.

Symbol	Parameters	Min.	Max.	Unit
$V_{PIN}$	$V_{OUT}$ to GND, $V_{OUT}$ to $V_{IN}$	-0.3	28.0	V
	ON, $V_{IN}$ , FLAGB, $I_{SET}$ to GND	-0.3	6.0	
$I_{SW}$	Maximum Continuous Switch Current <sup>(4)</sup>		2.2	A
$t_{PD}$	Total Power Dissipation at $T_A=25^\circ\text{C}$		1.0	W
$T_J$	Operating Junction Temperature	-40	+150	$^\circ\text{C}$
$T_{STG}$	Storage Junction Temperature	-65	+150	$^\circ\text{C}$
$\theta_{JA}$	Thermal Resistance, Junction-to-Ambient (1-inch Square Pad of 2 oz. Copper)		95 <sup>(2)</sup>	$^\circ\text{C/W}$
			110 <sup>(3)</sup>	
ESD	Electrostatic Discharge Capability	Human Body Model, JESD22-A114	2.0	kV
		Charged Device Model, JESD22-C101	2.5	
	IEC61000-4-2 System Level	Air Discharge ( $V_{IN}$ , $V_{ON}$ , $V_{OUT}$ to GND)	15.0	
		Contact Discharge ( $V_{IN}$ , $V_{ON}$ , $V_{OUT}$ to GND)	8.0	

### Notes:

- Measured using 2S2P JEDEC std. PCB.
- Measured using 2S2P JEDEC PCB cold plate method.
- Maximum Junction Temperature =  $85^\circ\text{C}$ .

## Recommended Operating Conditions

The Recommended Operating Conditions table defines the conditions for actual device operation. Recommended operating conditions are specified to ensure optimal performance to the datasheet specifications. Fairchild does not recommend exceeding them or designing to Absolute Maximum Ratings.

Symbol	Parameters	Min.	Max.	Unit
$V_{IN}$	Supply Voltage	2.5	5.5	V
$T_A$	Ambient Operating Temperature	-40	85	$^\circ\text{C}$

## Electrical Characteristics

Unless otherwise noted;  $V_{IN}=2.5$  to  $5.5$  V,  $T_A=-40$  to  $+85^\circ\text{C}$ ; typical values are at  $V_{IN}=5$  V and  $T_A=25^\circ\text{C}$ .

Symbol	Parameters	Condition	Min.	Typ.	Max.	Unit
<b>Basic Operation</b>						
$V_{IN}$	Input Voltage		2.5		5.5	V
$I_{Q(OFF)}$	Off Supply Current	$V_{ON}=\text{GND}$ , $V_{OUT}=\text{Open}$		1	2	$\mu\text{A}$
$I_{SD(OFF)}$	Shutdown Current	$V_{IN}=5.5$ V, $V_{OUT}=0$ V, $V_{ON}=\text{GND}$		0.1	4.0	$\mu\text{A}$
$I_Q$	Quiescent Current	$I_{OUT}=0$ mA		65	100	$\mu\text{A}$
$R_{ON}$	On Resistance	$V_{IN}=5.0$ V, $I_{OUT}=1$ A		70	100	m $\Omega$
		$V_{IN}=3.7$ V, $I_{OUT}=1$ A		75	105	
$R_{ON}$	On Resistance <sup>(6)</sup>	$V_{IN}=5.0$ V, $I_{OUT}=1.5$ A		70		m $\Omega$
$V_{IH}$	ON Input Logic HIGH Voltage	$V_{IN}=2.5$ V to $5.5$ V	1.15			V
$V_{IL}$	ON Input Logic LOW Voltage	$V_{IN}=2.5$ V to $5.5$ V			0.65	V
$V_{IL\_FLAG}$	FLAGB Output Logic LOW Voltage	$V_{IN}=5$ V, $I_{SINK}=10$ mA		0.1	0.2	V
		$V_{IN}=2.5$ V, $I_{SINK}=10$ mA		0.15	0.30	
$I_{FLAGB\_LK}$	FLAGB Output HIGH Leakage Current	$V_{IN}=5$ V, Switch On			1	$\mu\text{A}$
$I_{ON}$	On Input Leakage	$V_{ON}=0$ V to $V_{IN}$			1.0	$\mu\text{A}$
$R_{ON\_PD}$	Pull-Down Resistance at ON Pin	$V_{IN}=2.5\sim 5.5$ V, $V_{ON}=\text{HIGH}$ , $T_A=-40$ to $85^\circ\text{C}$		14		M $\Omega$
<b>Over-Voltage Protection</b>						
$V_{OV\_TRIP}$	Output OVP Lockout	$V_{OUT}$ Rising Threshold	5.50	5.80	6.00	V
		$V_{OUT}$ Falling Threshold		5.50		
$OUT_{HYS}$	Output OVP Hysteresis	$V_{OUT}$ Falling Threshold		0.3		V
$t_{OVP}$	OVP Response Time <sup>(6)</sup>	$I_{OUT}=0.5$ A, $C_L=1$ $\mu\text{F}$ , $T_A=25^\circ\text{C}$ , $V_{OUT}$ from $5.5$ V to $6.0$ V	1		4 <sup>(6)</sup>	$\mu\text{s}$
<b>Over-Current Protection</b>						
$I_{LIM}$	Current Limit	$V_{IN}=5$ V, $R_{SET}=20000$ $\Omega$ , $V_{OUT}=1.68$ to $5$ V with 15% Accuracy <sup>(5)</sup>	42	50	58	mA
		$V_{IN}=5$ V, $R_{SET}=2100$ $\Omega$ , $V_{OUT}=1.68$ to $5$ V with 10% Accuracy <sup>(5)</sup>	450	500	550	
		$V_{IN}=5$ V, $R_{SET}=1070$ $\Omega$ , $V_{OUT}=1.68$ to $5$ V with 10% Accuracy <sup>(5)</sup>	900	1000	1100	
$V_{UVLO}$	Under-Voltage Lockout	$V_{IN}$ Increasing		2.4		V
		$V_{IN}$ Decreasing		2.2		
$V_{UVLO\_HYS}$	UVLO Hysteresis			200		mV
$V_{T\_RCB}$	RCB Protection Trip Point	$V_{OUT} - V_{IN}$		50		mV
$V_{R\_RCB}$	RCB Protection Release Trip Point	$V_{IN} - V_{OUT}$		50		mV

Continued on the following page...

**Electrical Characteristics** (Continued)

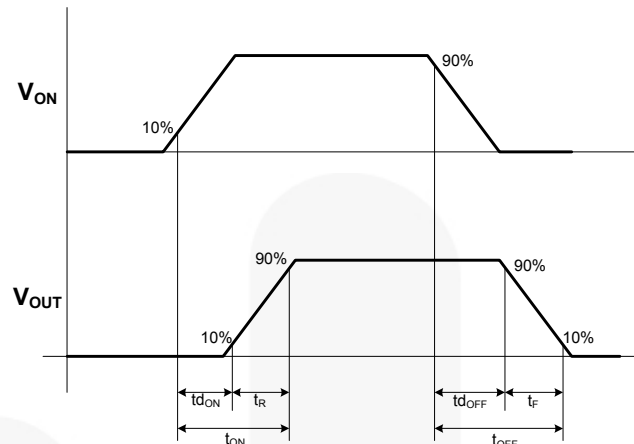
 Unless otherwise noted;  $V_{IN}=2.5$  to  $5.5$  V,  $T_A=-40$  to  $+85^\circ\text{C}$ ; typical values are at  $V_{IN}=5$  V and  $T_A=25^\circ\text{C}$ .

Symbol	Parameters	Conditions	Min.	Typ.	Max.	Unit
$V_{RCB\_HYS}$	RCB Hysteresis			100		mV
$t_{RCB}$	Default RCB Response Time	$V_{IN}=5$ V, $V_{ON}=\text{High/Low}$		2		$\mu\text{s}$
$I_{RCB}$	RCB Current	$V_{ON}=0$ V, $V_{OUT}=5.5$ V,		7		$\mu\text{A}$
$t_{HOCP}$	Hard Over-Current Response Time	Moderate Over-Current Condition, $I_{OUT} \geq I_{LIM}$ , $V_{OUT}=0$ V		6		$\mu\text{s}$
$t_{OCP}$	Over-Current Response Time	Moderate Over-Current Condition, $I_{OUT} \geq I_{LIM}$ , $V_{OUT} \leq V_{IN}$		7		$\mu\text{s}$
$t_{OC\_FLAG}$	Over-Current Flag Response Time	When Over-Current Occurs to Flag Pulling LOW		8		ms
TSD	Thermal Shutdown	Shutdown Threshold		150		$^\circ\text{C}$
		Return from Shutdown		130		
		Hysteresis		20		
<b>Dynamic Characteristics</b>						
$t_{DON}$	Turn-On Delay <sup>(6,7)</sup>	$V_{IN}=5$ V, $R_L=100$ $\Omega$ , $C_L=1$ $\mu\text{F}$ , $T_A=25^\circ\text{C}$ , $R_{SET}=2040$ $\Omega$		0.67		ms
$t_R$	$V_{OUT}$ Rise Time <sup>(6,7)</sup>			0.69		ms
$t_{ON}$	Turn-On Time <sup>(6,8)</sup>			1.36		ms
$t_{DOFF}$	Turn-Off Delay <sup>(7,6)</sup>			0.01		ms
$t_F$	$V_{OUT}$ Fall Time <sup>(7,6)</sup>			0.22		ms
$t_{OFF}$	Turn-Off Time <sup>(9,6)</sup>			0.23		ms
$t_{DON}$	Turn-On Delay <sup>(7,10)</sup>	$V_{IN}=5$ V, $R_L=3.8$ $\Omega$ , $C_L=10$ $\mu\text{F}$ , $T_A=-40$ to $85^\circ\text{C}$ , $R_{SET}=634$ $\Omega$		0.65	0.78	ms
$t_R$	$V_{OUT}$ Rise Time <sup>(7,10)</sup>			0.65	0.82	ms
$t_{ON}$	Turn-On Time <sup>(8,10)</sup>			1.3	1.6	ms
$t_{DOFF}$	Turn-Off Delay <sup>(7,10)</sup>			4	10	$\mu\text{s}$
$t_F$	$V_{OUT}$ Fall Time <sup>(7,10)</sup>			76	120	$\mu\text{s}$
$t_{OFF}$	Turn-Off Time <sup>(9,10)</sup>			80	130	$\mu\text{s}$

**Notes:**

- Characterization based on 1% tolerance resistor.
- This parameter is guaranteed by design and characterization; not production tested.
- $t_{DON}/t_{DOFF}/t_R/t_F$  are defined in Figure 5 below.
- $t_{ON}=t_R + t_{DON}$ .
- $t_{OFF}=t_F + t_{DOFF}$ .
- This parameter is guaranteed by design.

## Timing Diagram



where:

$t_{DON}$  = Delay On Time  
 $t_r$  =  $V_{OUT}$  Rise Time  
 $t_{ON}$  = Turn-On Time  
 $t_{DOFF}$  = Delay Off Time  
 $t_f$  =  $V_{OUT}$  Fall Time  
 $t_{OFF}$  = Turn Off Time

Figure 5. Timing Diagram

## Operation and Application Description

### Input Capacitor

To limit the voltage drop on the input supply caused by transient inrush current when the switch turns on into discharge load capacitor; a capacitor must be placed in between the  $V_{IN}$  and GND pins. A high-value capacitor on  $C_{IN}$  can be used to reduce the voltage drop in high-current applications.

### Output Capacitor

An output capacitor should be placed between the  $V_{OUT}$  and GND pins. This capacitor prevents parasitic board inductance from forcing  $V_{OUT}$  below GND when the switch is on. This capacitor also prevents reverse inrush current from creating a voltage spike that could damage the device in the case of a  $V_{OUT}$  short.

### Fault Reporting

Upon the detection of an over-current,  $OC\_FLAGB$  signal the fault by activating LOW.

### Current Limiting

The current limit ensures that the current through the switch does not exceed the maximum set value, while not limiting the minimum value. The current at which the part's limit is adjustable through the selection of the external resistor connected to the ISET pin. Information for selecting the resistor is found in the section below. The device acts as a constant-current source when the load draws more than the maximum value set by the device until thermal shutdown occurs. The device recovers if the die temperature drops below the threshold temperature.

### Under-Voltage Lockout (UVLO)

The under-voltage lockout turns the switch off if the input voltage drops below the lockout threshold. With the ON pin active, the input voltage rising above the UVLO threshold releases the lockout and enables the switch.

### True Reverse-Current Blocking

The true reverse-current blocking feature protects the input source against current flow from output to input regardless of whether the load switch is on or off.

### Thermal Shutdown

The thermal shutdown protects the die from internally or externally generated excessive temperature. During an over-temperature condition, the switch is turned off. The switch automatically turns on again if the temperature of the die drops below the threshold temperature.

## Setting Current Limit

The current limit is set with an external resistor connected between the I<sub>SET</sub> and GND pins. The resistor is selected using Table 1. Resistor tolerance of 1% or less is recommended.

**Table 1. Current Limit Settings by R<sub>SET</sub>** <sup>(11)</sup>

R <sub>SET</sub> Ω	Min. Current Limit (mA)	Typ. Current Limit (mA)	Max. Current Limit (mA)
528	1800	2000	2200
604	1570	1750	1920
680	1350	1500	1650
866	1125	1250	1375
1070	900	1000	1100
1200	810	900	990
1330	720	800	880
1500	630	700	770
1740	540	600	660
2100	450	500	550
2320	405	450	495
2550	360	400	440
2940	315	350	385
3400	370	300	330
4020	225	250	275
4990	180	200	220
6490	135	150	165
9530	90	100	110
20000	42	50	58

### Note:

11. Table values based on 1% tolerance resistor.
12. For 50 mA setting, tolerance is ±15% with 1%.

## Board Layout

For best performance, all traces should be as short as possible. To be most effective, the input and output capacitors should be placed close to the device to minimize the effect that parasitic trace inductance may have on normal and short-circuit operation. Using wide traces for VIN, VOUT, GND helps minimize parasitic electrical effects along with minimizing the case-to-ambient thermal impedance.



## Typical Performance Characteristics

$T_A=25^{\circ}\text{C}$ .

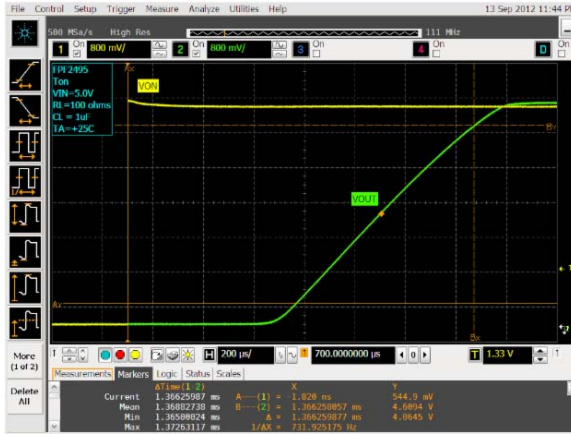


Figure 6.  $t_{ON}$  Response



Figure 7. OVP Response (Increase  $V_{OUT}$  to OVP Trip Point)



Figure 8.  $t_{OC\_FLAGB}$  Response Time (Toggle  $R_{LOAD}$  from High to Low Resistance)



Figure 9.  $t_{OFF}$  Response



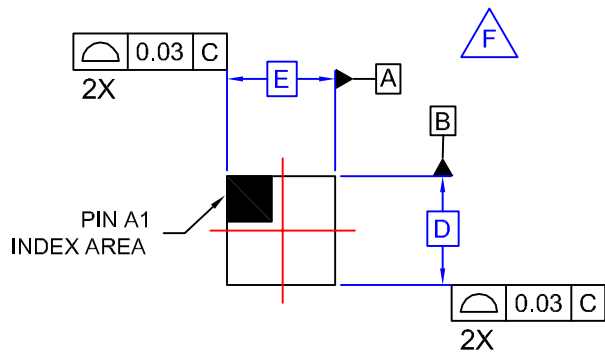
Figure 10.  $t_{OCP}$  Response Time

**Product-Specific Dimensions**

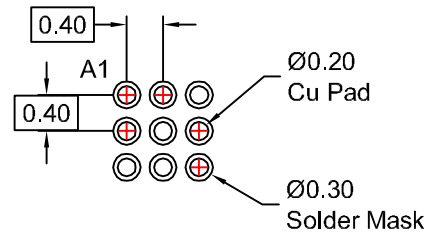
D	E	X	Y
1210 $\mu\text{m} \pm 30 \mu\text{m}$	1210 $\mu\text{m} \pm 30 \mu\text{m}$	205 $\mu\text{m}$	205 $\mu\text{m}$



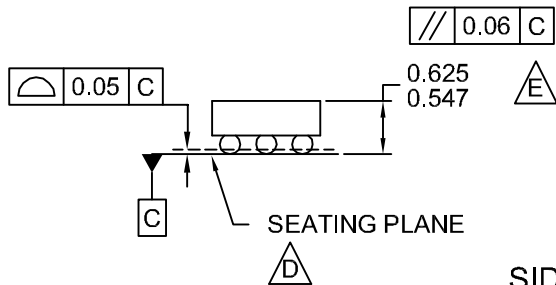
REVISIONS			
REV	DESCRIPTION	DATE	BY/SITE
1	INITIAL DRAWING RELEASE.	2-15-2008	L. ENGLAND/FSME
2	Updated land pattern to individual solder mask openings. Removed solder alloy note. Other misc updates for standardization.	4-9-2010	L. ENGLAND/FSME



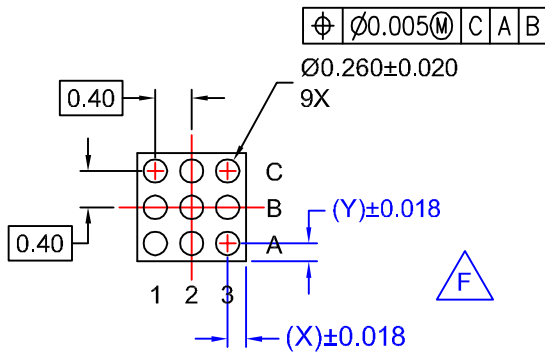
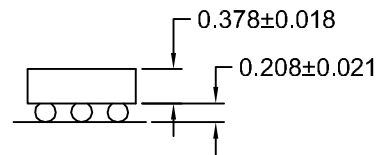
TOP VIEW



LAND PATTERN RECOMMENDATION  
(NSMD PAD TYPE)



SIDE VIEWS



BOTTOM VIEW

NOTES:

- A. NO JEDEC REGISTRATION APPLIES.
- B. DIMENSIONS ARE IN MILLIMETERS.
- C. DIMENSIONS AND TOLERANCE PER ASMEY14.5M, 1994.
- D. DATUM C IS DEFINED BY THE SPHERICAL CROWNS OF THE BALLS.
- E. PACKAGE NOMINAL HEIGHT IS 586 MICRONS ±39 MICRONS (547-625 MICRONS).
- F. FOR DIMENSIONS D, E, X, AND Y SEE PRODUCT DATASHEET.
- G. DRAWING FILNAME: MKT-UC009ABrev2

APPROVALS	DATE	FAIRCHILD SEMICONDUCTOR™			
DRAWN L. England	4-9-10	9 BALL WLCSP, 3X3 ARRAY 0.4MM PITCH, 250UM BALL			
DFTG. CHK. H. Allen	4-9-10				
ENGR. CHK.					
		SCALE N/A	SIZE N/A	DRAWING NUMBER MKT-UC009AB	REV 2
		DO NOT SCALE DRAWING		SHEET 1 of 1	



**TRADEMARKS**

The following includes registered and unregistered trademarks and service marks, owned by Fairchild Semiconductor and/or its global subsidiaries, and is not intended to be an exhaustive list of all such trademarks.

AccuPower™  
AttitudeEngine™  
Awinda®  
AX-CAP®\*  
BitSiC™  
Build it Now™  
CorePLUS™  
CorePOWER™  
CROSSVOL™  
CTL™  
Current Transfer Logic™  
DEUXPEED®  
Dual Cool™  
EcoSPARK®  
EfficientMax™  
ESBC™  
F®  
Fairchild®  
Fairchild Semiconductor®  
FACT Quiet Series™  
FACT®  
FastvCore™  
FETBench™  
FPS™

F-PFS™  
FRFET®  
Global Power Resource™  
GreenBridge™  
Green FPS™  
Green FPS™ e-Series™  
Gmax™  
GTO™  
IntelliMAX™  
ISOPLANAR™  
Making Small Speakers Sound Louder and Better™  
MegaBuck™  
MICROCOUPLER™  
MicroFET™  
MicroPak™  
MicroPak2™  
MillerDrive™  
MotionMax™  
MotionGrid®  
MTi®  
MTx®  
MVN®  
mWSaver®  
OptoHiT™  
OPTOLOGIC®

OPTOPLANAR®  
Power Supply WebDesigner™  
PowerTrench®  
PowerXS™  
Programmable Active Droop™  
QFET®  
QS™  
Quiet Series™  
RapidConfigure™  
Saving our world, 1mW/W/kW at a time™  
SignalWise™  
SmartMax™  
SMART START™  
Solutions for Your Success™  
SPM®  
STEALTH™  
SuperFET®  
SuperSOT™-3  
SuperSOT™-6  
SuperSOT™-8  
SupreMOS®  
SyncFET™  
Sync-Lock™

SYSTEM GENERAL®  
TinyBoost®  
TinyBuck®  
TinyCalc™  
TinyLogic®  
TINYOPTO™  
TinyPower™  
TinyPWM™  
TinyWire™  
TranSiC™  
TriFault Detect™  
TRUECURRENT®\*  
µSerDes™  
SerDes®  
UHC®  
Ultra FRFET™  
UniFET™  
VCX™  
VisualMax™  
VoltagePlus™  
XS™  
Xsens™  
仙童®

\* Trademarks of System General Corporation, used under license by Fairchild Semiconductor.

**DISCLAIMER**

FAIRCHILD SEMICONDUCTOR RESERVES THE RIGHT TO MAKE CHANGES WITHOUT FURTHER NOTICE TO ANY PRODUCTS HEREIN TO IMPROVE RELIABILITY, FUNCTION, OR DESIGN. TO OBTAIN THE LATEST, MOST UP-TO-DATE DATASHEET AND PRODUCT INFORMATION, VISIT OUR WEBSITE AT [HTTP://WWW.FAIRCHILDSEMI.COM](http://www.fairchildsemi.com). FAIRCHILD DOES NOT ASSUME ANY LIABILITY ARISING OUT OF THE APPLICATION OR USE OF ANY PRODUCT OR CIRCUIT DESCRIBED HEREIN; NEITHER DOES IT CONVEY ANY LICENSE UNDER ITS PATENT RIGHTS, NOR THE RIGHTS OF OTHERS. THESE SPECIFICATIONS DO NOT EXPAND THE TERMS OF FAIRCHILD'S WORLDWIDE TERMS AND CONDITIONS, SPECIFICALLY THE WARRANTY THEREIN, WHICH COVERS THESE PRODUCTS.

**AUTHORIZED USE**

Unless otherwise specified in this data sheet, this product is a standard commercial product and is not intended for use in applications that require extraordinary levels of quality and reliability. This product may not be used in the following applications, unless specifically approved in writing by a Fairchild officer: (1) automotive or other transportation, (2) military/aerospace, (3) any safety critical application – including life critical medical equipment – where the failure of the Fairchild product reasonably would be expected to result in personal injury, death or property damage. Customer's use of this product is subject to agreement of this Authorized Use policy. In the event of an unauthorized use of Fairchild's product, Fairchild accepts no liability in the event of product failure. In other respects, this product shall be subject to Fairchild's Worldwide Terms and Conditions of Sale, unless a separate agreement has been signed by both Parties.

**ANTI-COUNTERFEITING POLICY**

Fairchild Semiconductor Corporation's Anti-Counterfeiting Policy. Fairchild's Anti-Counterfeiting Policy is also stated on our external website, [www.fairchildsemi.com](http://www.fairchildsemi.com), under Terms of Use

Counterfeiting of semiconductor parts is a growing problem in the industry. All manufacturers of semiconductor products are experiencing counterfeiting of their parts. Customers who inadvertently purchase counterfeit parts experience many problems such as loss of brand reputation, substandard performance, failed applications, and increased cost of production and manufacturing delays. Fairchild is taking strong measures to protect ourselves and our customers from the proliferation of counterfeit parts. Fairchild strongly encourages customers to purchase Fairchild parts either directly from Fairchild or from Authorized Fairchild Distributors who are listed by country on our web page cited above. Products customers buy either from Fairchild directly or from Authorized Fairchild Distributors are genuine parts, have full traceability, meet Fairchild's quality standards for handling and storage and provide access to Fairchild's full range of up-to-date technical and product information. Fairchild and our Authorized Distributors will stand behind all warranties and will appropriately address any warranty issues that may arise. Fairchild will not provide any warranty coverage or other assistance for parts bought from Unauthorized Sources. Fairchild is committed to combat this global problem and encourage our customers to do their part in stopping this practice by buying direct or from authorized distributors.

**PRODUCT STATUS DEFINITIONS**

**Definition of Terms**

Datasheet Identification	Product Status	Definition
Advance Information	Formative / In Design	Datasheet contains the design specifications for product development. Specifications may change in any manner without notice.
Preliminary	First Production	Datasheet contains preliminary data; supplementary data will be published at a later date. Fairchild Semiconductor reserves the right to make changes at any time without notice to improve design.
No Identification Needed	Full Production	Datasheet contains final specifications. Fairchild Semiconductor reserves the right to make changes at any time without notice to improve the design.
Obsolete	Not In Production	Datasheet contains specifications on a product that is discontinued by Fairchild Semiconductor. The datasheet is for reference information only.