



Distributor of Alliance Memory, Inc.: Excellent Integrated System Limited

Datasheet of AS7C34098A-10BIN - IC SRAM 4MBIT 10NS 48BGA

Contact us: sales@integrated-circuit.com Website: www.integrated-circuit.com

Excellent Integrated System Limited

Stocking Distributor

Click to view price, real time Inventory, Delivery & Lifecycle Information:

[Alliance Memory, Inc.](#)
[AS7C34098A-10BIN](#)

For any questions, you can email us directly:

sales@integrated-circuit.com

August 2004



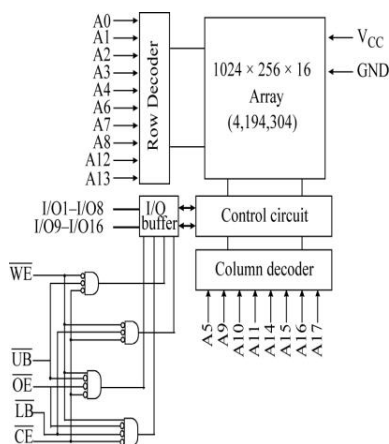
AS7C34098A

3.3 V 256 K × 16 CMOS SRAM

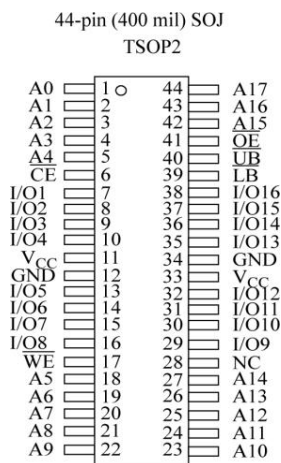
Features

- Pin compatible with AS7C34098
- Industrial and commercial temperature
- Organization: 262,144 words × 16 bits
- Center power and ground pins
- High speed
 - 10/12/15/20 ns address access time
 - 4/5/6/7 ns output enable access time
- Low power consumption: ACTIVE
 - 650 mW /max @ 10 ns
- Low power consumption: STANDBY
 - 28.8 mW /max CMOS
- Individual byte read/write controls
- Easy memory expansion with \overline{CE} , \overline{OE} inputs
- TTL- and CMOS-compatible, three-state I/O
- JEDEC standard packages
 - 44-pin SOJ -400-mil
 - 44-pin TSOP 2
 - 48-pin Mini BGA
- ESD protection ≥ 2000 volts
- Latch-up current ≥ 200 mA

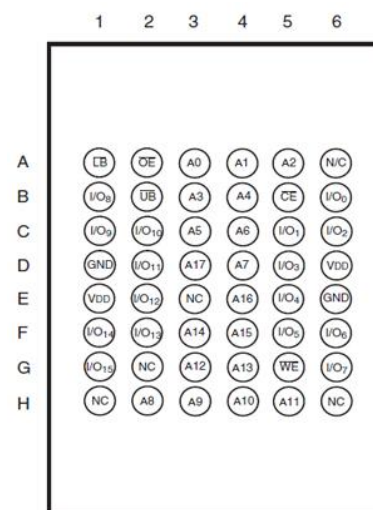
Logic block diagram



Pin arrangement for SOJ and TSOP 2



Bottom View 48BGA



Selection guide

| | | -10 | -12 | -15 | -20 | Unit |
|-----------------------------------|------------|-----|-----|-----|-----|------|
| Maximum address access time | | 10 | 12 | 15 | 20 | ns |
| Maximum output enable access time | | 4 | 5 | 6 | 7 | ns |
| Maximum operating current | Industrial | 180 | 160 | 140 | 110 | mA |
| | Commercial | 170 | 150 | 130 | 100 | mA |
| Maximum CMOS standby current | | 8 | 8 | 8 | 8 | mA |

AS7C34098A



Functional description

The AS7C34098A is a high-performance CMOS 4,194,304-bit Static Random Access Memory (SRAM) device organized as 262,144 words \times 16 bits. It is designed for memory applications where fast data access, low power, and simple interfacing are desired.

Equal address access and cycle times (t_{AA} , t_{RC} , t_{WC}) of 10/12/15/20 ns with output enable access times (t_{OE}) of 4/5/6/7 ns are ideal for high-performance applications. The chip enable input \overline{CE} permits easy memory expansion with multiple-bank memory systems.

When \overline{CE} is high the device enters standby mode. The device is guaranteed not to exceed 28.8mW power consumption in CMOS standby mode. A write cycle is accomplished by asserting write enable (\overline{WE}) and chip enable (\overline{CE}). Data on the input pins I/O1–I/O16 is written on the rising edge of \overline{WE} (write cycle 1) or \overline{CE} (write cycle 2). To avoid bus contention, external devices should drive I/O pins only after outputs have been disabled with output enable (\overline{OE}) or write enable (\overline{WE}).

A read cycle is accomplished by asserting output enable (\overline{OE}) and chip enable (\overline{CE}), with write enable (\overline{WE}) high. The chip drives I/O pins with the data word referenced by the input address. When either chip enable or output enable is inactive, or write enable is active, output drivers stay in high-impedance mode.

The device provides multiple center power and ground pins, and separate byte enable controls, allowing individual bytes to be written and read. \overline{LB} controls the lower bits, I/O1–I/O8, and \overline{UB} controls the higher bits, I/O9–I/O16.

All chip inputs and outputs are TTL- and CMOS-compatible, and operation is for 3.3V (AS7C34098A) supply. The device is available in the JEDEC standard 400-mil, 44-pin SOJ, TSOP 2.

Absolute maximum ratings

| Parameter | Symbol | Min | Max | Unit |
|---|------------|-------|-----------------|------|
| Voltage on V_{CC} relative to GND | V_{I1} | -0.50 | +5.0 | V |
| Voltage on any pin relative to GND | V_{I2} | -0.50 | $V_{CC} + 0.50$ | V |
| Power dissipation | P_D | – | 1.5 | W |
| Storage temperature (plastic) | T_{stg} | -65 | +150 | °C |
| Ambient temperature with V_{CC} applied | T_{bias} | -55 | +125 | °C |
| DC current into outputs (low) | I_{OUT} | – | ± 20 | mA |

Note: Stresses greater than those listed under *Absolute Maximum Ratings* may cause permanent damage to the device. This is a stress rating only and functional operation of the device at these or any other conditions outside those indicated in the operational sections of this specification is not implied. Exposure to absolute maximum rating conditions for extended periods may affect reliability.

Truth table

| CE | WE | OE | LB | UB | I/O1–I/O8 | I/O9–I/O16 | Mode |
|----|----|----|----|----|-----------|------------|----------------------------------|
| H | X | X | X | X | High Z | High Z | Standby (I_{SB} , I_{SB1}) |
| L | H | H | X | X | High Z | High Z | Output disable (I_{CC}) |
| L | X | X | H | H | | | |
| L | H | L | L | H | D_{OUT} | High Z | Read (I_{CC}) |
| | | | H | L | High Z | D_{OUT} | |
| | | | L | L | D_{OUT} | D_{OUT} | |
| L | L | X | L | H | D_{IN} | High Z | Write (I_{CC}) |
| | | | H | L | High Z | D_{IN} | |
| | | | L | L | D_{IN} | D_{IN} | |

Key: X = Don't care, L = Low, H = High.



Recommended operating conditions

| Parameter | Symbol | Min | Typical | Max | Unit | |
|-------------------------------|------------------------|-------|---------|----------------|------|----|
| Supply voltage | V_{CC} (10/12/15/20) | 3.0 | 3.3 | 3.6 | V | |
| Input voltage | V_{IH}^{**} | 2.0 | – | $V_{CC} + 0.5$ | V | |
| | V_{IL}^* | –0.5 | – | 0.8 | V | |
| Ambient operating temperature | commercial | T_A | 0 | – | 70 | °C |
| | industrial | T_A | –40 | – | 85 | °C |

* V_{IL} min = –1.0V for pulse width less than 5ns.

** V_{IH} max = $V_{CC} + 2.0V$ for pulse width less than 5ns.

DC operating characteristics (over the operating range)¹

| Parameter | Symbol | Test conditions | –10 | | –12 | | –15 | | –20 | | Unit | |
|--------------------------------|------------|--|------------|-----|-----|-----|-----|-----|-----|-----|------|----|
| | | | Min | Max | Min | Max | Min | Max | Min | Max | | |
| Input leakage current | $ I_{LI} $ | $V_{CC} = \text{Max}$ $V_{IN} = \text{GND to } V_{CC}$ | – | 1 | – | 1 | – | 1 | – | 1 | μA | |
| Output leakage current | $ I_{LO} $ | $V_{CC} = \text{Max}$ $\overline{CE} = V_{IH}$ or $\overline{OE} = V_{IH}$ or $\overline{WE} = V_{IL}$ $V_{IO} = \text{GND to } V_{CC}$ | – | 1 | – | 1 | – | 1 | – | 1 | μA | |
| Operating power supply current | I_{CC} | $V_{CC} = \text{Max}$ $\overline{CE} \leq V_{IL}$, $f = f_{\text{max}}$, $I_{OUT} = 0\text{mA}$ | Industrial | – | 180 | – | 160 | – | 140 | – | 110 | mA |
| | | | Commercial | – | 170 | – | 150 | – | 130 | – | 100 | mA |
| Standby power supply current | I_{SB} | $V_{CC} = \text{Max}$ $\overline{CE} \geq V_{IH}$, $f = \text{Max}$ | – | 60 | – | 60 | – | 60 | – | 60 | mA | |
| | I_{SB1} | $V_{CC} = \text{Max}$ $\overline{CE} \geq V_{CC} - 0.2V$, $V_{IN} \geq V_{CC} - 0.2V$ or $V_{IN} \leq 0.2V$, $f = 0$ | – | 8 | – | 8 | – | 8 | – | 8 | mA | |
| Output voltage | V_{OL} | $I_{OL} = 8\text{ mA}$, $V_{CC} = \text{Min}$ | – | 0.4 | – | 0.4 | – | 0.4 | – | 0.4 | V | |
| | V_{OH} | $I_{OH} = -4\text{ mA}$, $V_{CC} = \text{Min}$ | 2.4 | – | 2.4 | – | 2.4 | – | 2.4 | – | V | |

Capacitance ($f = 1\text{MHz}$, $T_a = 25^\circ\text{C}$, $V_{CC} = \text{NOMINAL}$)²

| Parameter | Symbol | Signals | Test conditions | Max | Unit |
|-------------------|----------|-----------------------|-------------------------|-----|------|
| Input capacitance | C_{IN} | A, CE, WE, OE, UB, LB | $V_{IN} = 0V$ | 6 | pF |
| I/O capacitance | C_{IO} | I/O | $V_{IN} = V_{OUT} = 0V$ | 8 | pF |



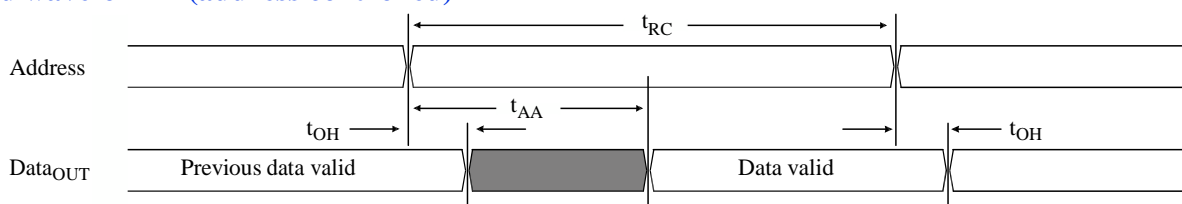
Read cycle (over the operating range)^{3,9}

| Parameter | Symbol | -10 | | -12 | | -15 | | -20 | | Unit | Notes |
|--|-----------|-----|-----|-----|-----|-----|-----|-----|-----|------|-------|
| | | Min | Max | Min | Max | Min | Max | Min | Max | | |
| Read cycle time | t_{RC} | 10 | – | 12 | – | 15 | – | 20 | – | ns | |
| Address access time | t_{AA} | – | 10 | – | 12 | – | 15 | – | 20 | ns | |
| Chip enable (\overline{CE}) access time | t_{ACE} | – | 10 | – | 12 | – | 15 | – | 20 | ns | |
| Output enable (\overline{OE}) access time | t_{OE} | – | 4 | – | 5 | – | 6 | – | 7 | ns | |
| Output hold from address change | t_{OH} | 3 | – | 3 | – | 3 | – | 3 | – | ns | 5 |
| \overline{CE} Low to output in low Z | t_{CLZ} | 3 | – | 3 | – | 3 | – | 3 | – | ns | 4, 5 |
| \overline{CE} High to output in high Z | t_{CHZ} | – | 5 | – | 6 | – | 7 | – | 9 | ns | 4, 5 |
| \overline{OE} Low to output in low Z | t_{OLZ} | 0 | – | 0 | – | 0 | – | 0 | – | ns | 4, 5 |
| \overline{OE} High to output in high Z | t_{OHZ} | – | 5 | – | 6 | – | 7 | – | 9 | ns | 4, 5 |
| \overline{LB} , \overline{UB} access time | t_{BA} | – | 5 | – | 6 | – | 7 | – | 8 | ns | |
| \overline{LB} , \overline{UB} Low to output in low Z | t_{BLZ} | 0 | – | 0 | – | 0 | – | 0 | – | ns | |
| \overline{LB} , \overline{UB} High to output in high Z | t_{BHZ} | – | 5 | – | 6 | – | 7 | – | 9 | ns | |
| Power up time | t_{PU} | 0 | – | 0 | – | 0 | – | 0 | – | ns | 5 |
| Power down time | t_{PD} | – | 10 | – | 12 | – | 15 | – | 20 | ns | 5 |

Key to switching waveforms

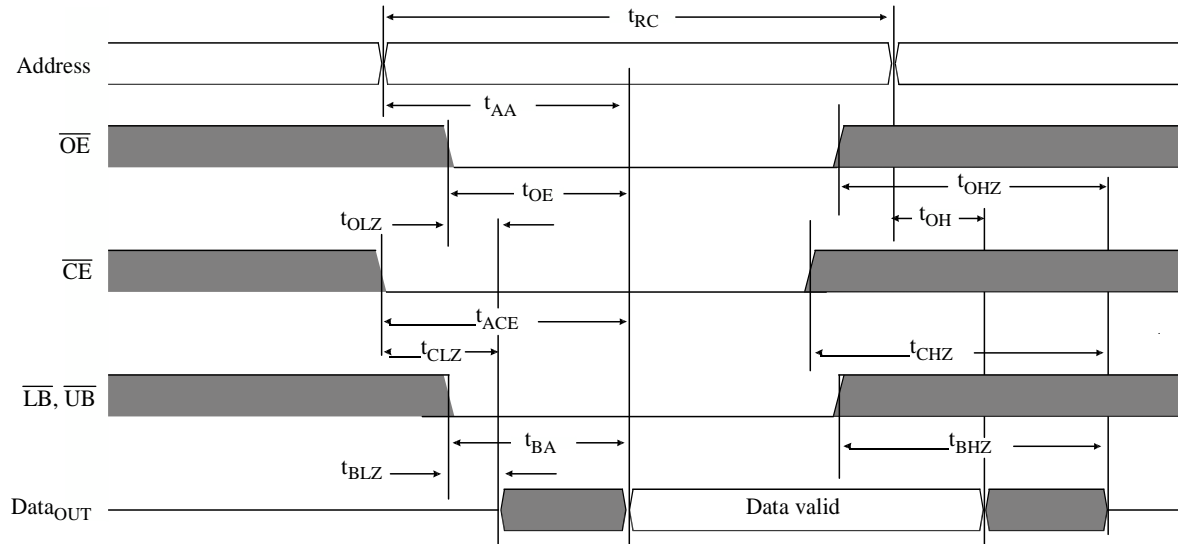


Read waveform 1 (address controlled)^{6,7,9}





Read waveform 2 (\overline{CE} , \overline{OE} , \overline{UB} , \overline{LB} controlled)^{6,8,9}

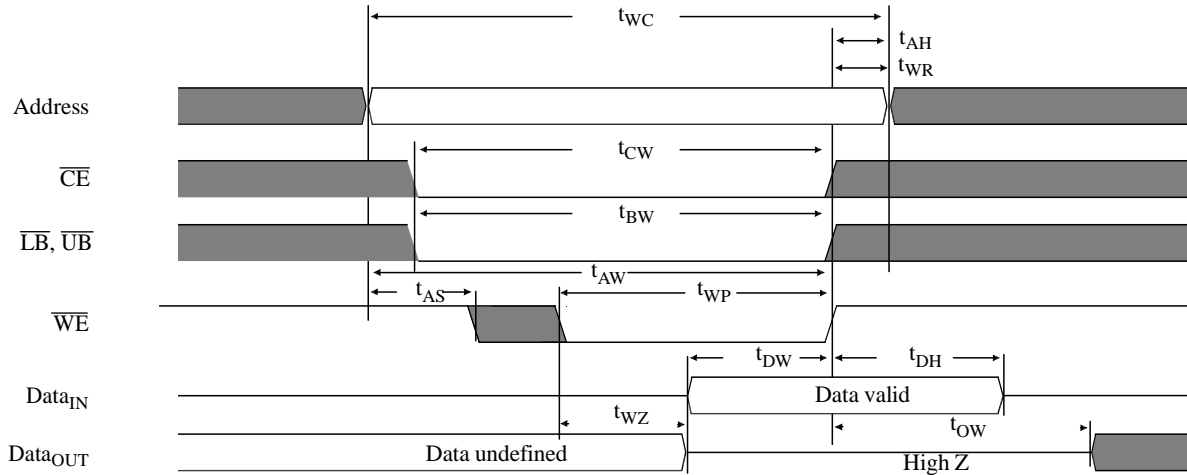


Write cycle (over the operating range)¹⁰

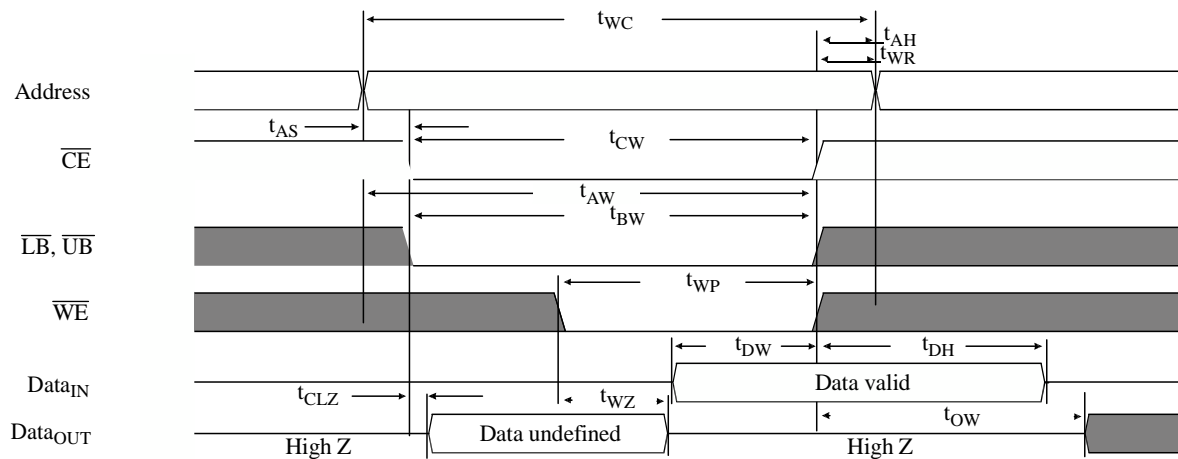
| Parameter | Symbol | -10 | | -12 | | -15 | | -20 | | Unit | Note |
|---|-----------|-----|-----|-----|-----|-----|-----|-----|-----|------|------|
| | | Min | Max | Min | Max | Min | Max | Min | Max | | |
| Write cycle time | t_{WC} | 10 | - | 12 | - | 15 | - | 20 | - | ns | |
| Chip enable (\overline{CE}) to write end | t_{CW} | 7 | - | 8 | - | 10 | - | 12 | - | ns | |
| Address setup to write end | t_{AW} | 7 | - | 8 | - | 10 | - | 12 | - | ns | |
| Address setup time | t_{AS} | 0 | - | 0 | - | 0 | - | 0 | - | ns | |
| Write pulse width ($\overline{OE} = \text{High}$) | t_{WP1} | 7 | - | 8 | - | 10 | - | 12 | - | ns | |
| Write pulse width ($\overline{OE} = \text{Low}$) | t_{WP2} | 10 | - | 12 | - | 15 | - | 20 | - | ns | |
| Write recovery time | t_{WR} | 0 | - | 0 | - | 0 | - | 0 | - | ns | |
| Address hold from end of write | t_{AH} | 0 | - | 0 | - | 0 | - | 0 | - | ns | |
| Data valid to write end | t_{DW} | 5 | - | 6 | - | 7 | - | 9 | - | ns | |
| Data hold time | t_{DH} | 0 | - | 0 | - | 0 | - | 0 | - | ns | 4, 5 |
| Write enable to output in High-Z | t_{WZ} | 0 | 5 | 0 | 6 | 0 | 7 | 0 | 9 | ns | 4, 5 |
| Output active from write end | t_{OW} | 3 | - | 3 | - | 3 | - | 3 | - | ns | 4, 5 |
| Byte enable Low to write end | t_{BW} | 7 | - | 8 | - | 10 | - | 12 | - | ns | 4, 5 |



Write waveform 1 (\overline{WE} controlled)¹⁰

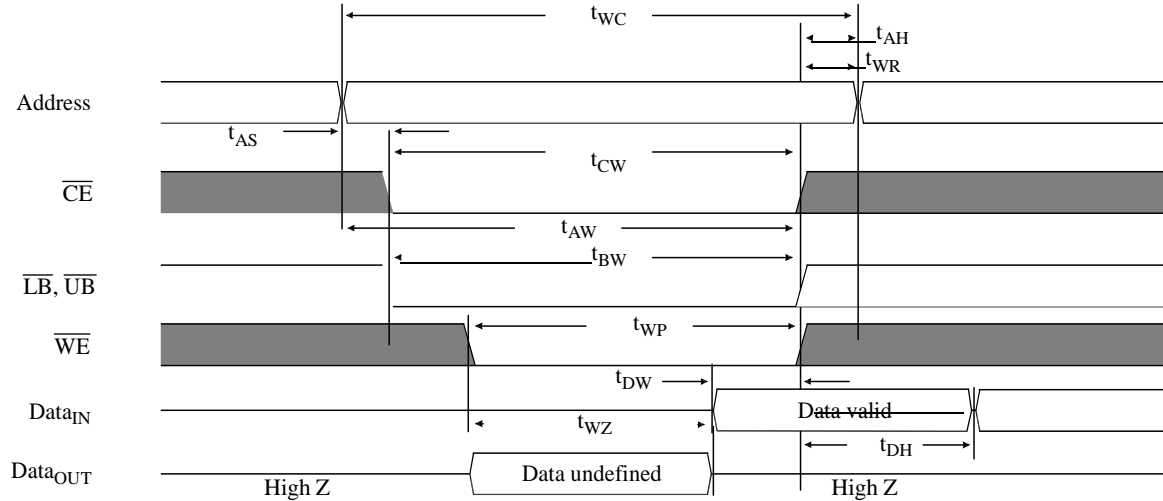


Write waveform 2 (\overline{CE} controlled)¹⁰





Write waveform 3¹⁰



AC test conditions

- Output load: see Figure B.
- Input pulse level: GND to 3.0V. See Figure A.
- Input rise and fall times: 2 ns. See Figure A.
- Input and output timing reference levels: 1.5V.

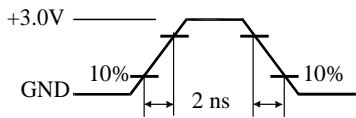


Figure A: Input pulse

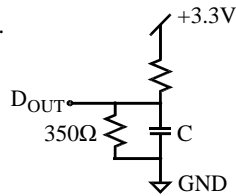
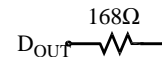


Figure B: 3.3V Output load



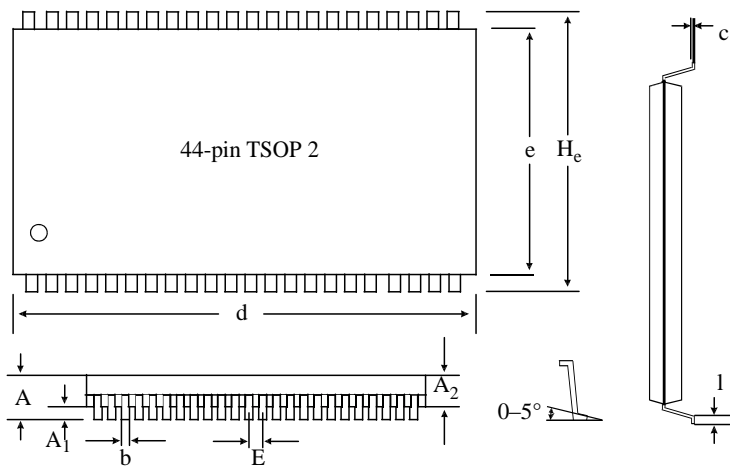
Notes

- 1 During V_{CC} power-up, a pull-up resistor to V_{CC} on \overline{CE} is required to meet I_{SB} specification.
- 2 This parameter is sampled, but not 100% tested.
- 3 For test conditions, see *AC Test Conditions*, Figures A and B.
- 4 t_{CLZ} and t_{CHZ} are specified with $C_L = 5pF$ as in Figure B. Transition is measured $\pm 500mV$ from steady-state voltage.
- 5 This parameter is guaranteed, but not tested.
- 6 \overline{WE} is High for read cycle.
- 7 \overline{CE} and \overline{OE} are Low for read cycle.
- 8 Address valid prior to or coincident with \overline{CE} transition Low.
- 9 All read cycle timings are referenced from the last valid address to the first transitioning address.
- 10 All write cycle timings are referenced from the last valid address to the first transitioning address.
- 11 $C=30pF$, except on High Z and Low Z parameters, where $C=5pF$.

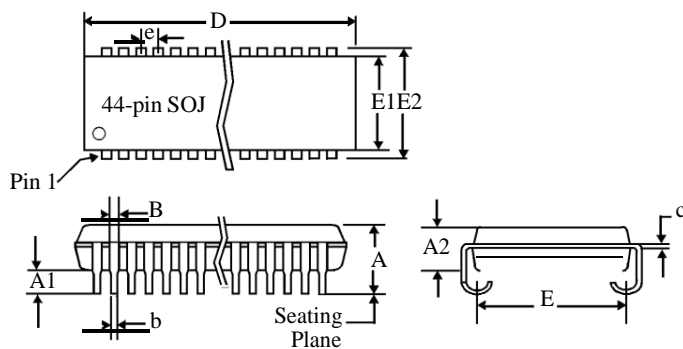
AS7C34098A



Package dimensions



| 44-pin TSOP 2 | | |
|----------------------|----------------|----------|
| | Min (mm) | Max (mm) |
| A | | 1.2 |
| A₁ | 0.05 | 0.15 |
| A₂ | 0.95 | 1.05 |
| b | 0.3 | 0.45 |
| c | 0.12 | 0.21 |
| d | 18.31 | 18.52 |
| e | 10.06 | 10.26 |
| H_e | 11.68 | 11.94 |
| E | 0.80 (typical) | |
| l | 0.40 | 0.60 |

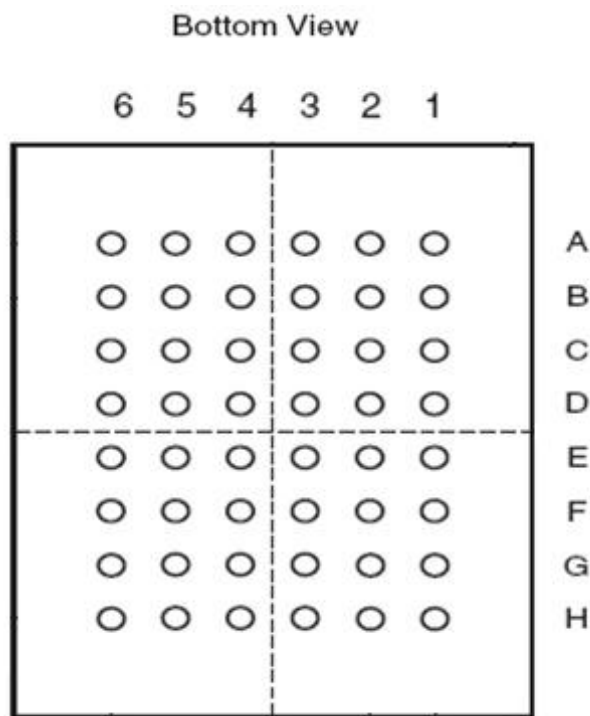
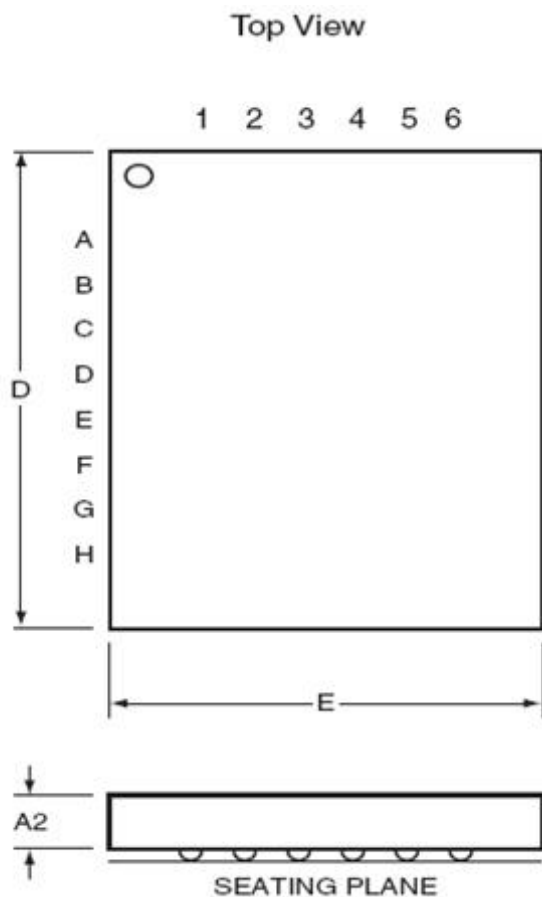


| 44-pin SOJ 400 mils | | |
|----------------------|-----------|-----------|
| | Min(mils) | Max(mils) |
| A | 0.128 | 0.148 |
| A₁ | 0.025 | - |
| A₂ | 0.105 | 0.115 |
| B | 0.026 | 0.032 |
| b | 0.015 | 0.020 |
| c | 0.007 | 0.013 |
| D | 1.120 | 1.130 |
| E | 0.370 NOM | |
| E₁ | 0.395 | 0.405 |
| E₂ | 0.435 | 0.445 |
| e | 0.050 NOM | |

AS7C34098A



Outline of 48BGA



Notes:
 1. Controlling dimensions are in millimeters.

**BGA 8mm x 10mm
 MILLIMETERS**

| Sym. | Min. | Typ. | Max. |
|------|----------|-------|-------|
| A | — | — | 1.20 |
| A1 | 0.24 | — | 0.30 |
| A2 | 0.60 | — | — |
| D | 9.90 | 10.00 | 10.10 |
| D1 | 5.25 BSC | | |
| E | 7.90 | 8.00 | 8.10 |
| E1 | 3.75 BSC | | |
| e | 0.75 BSC | | |
| b | 0.30 | 0.35 | 0.40 |

AS7C34098A



Ordering Codes

| Package | Temperature | 10 ns | 12 | 15 ns | 20 ns |
|---------|-------------|------------------|-----------------|-----------------|-----------------|
| SOJ | Commercial | AS7C34098A-10JC | AS7C34098A-12JC | AS7C34098A-15JC | AS7C34098A-20JC |
| | Industrial | AS7C34098A-10JI | AS7C34098A-12JI | AS7C34098A-15JI | AS7C34098A-20JI |
| BGA | Industrial | AS7C34098A-10BIN | | | |
| TSOP 2 | Commercial | AS7C34098A-10TC | AS7C34098A-12TC | AS7C34098A-15TC | AS7C34098A-20TC |
| | Industrial | AS7C34098A-10TI | AS7C34098A-12TI | AS7C34098A-15TI | AS7C34098A-20TI |

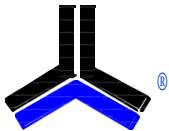
Note: Add suffix 'N' to the above part numbers for Lead Free Parts. (Ex: AS7C34098A - 10TCN)

Part numbering system

| AS7C | X | 4098A | -XX | J / T or B | X | X |
|-------------|---------------------------|------------------|----------------|--|---|---------------------|
| SRAM prefix | Voltage: 3 - 3.3V CMOS | Device number | Access time | Packages: J: SOJ 400 mil T: TSOP 2 B: BGA | Temperature ranges: C: Commercial, 0°C to 70°C I: Industrial, -40°C to 85°C | N = Lead Free Parts |



AS7C34098A



Alliance Memory, Inc.
511 Taylor Way,
San Carlos, CA 94070
Tel: 650-610-6800
Fax: 650-620-9211
www.alliancememory.com

Copyright © Alliance Memory

All Rights Reserved

Part Number: AS7C34098A

Document Version: v. 2.2

© Copyright 2003 Alliance Memory, Inc. All rights reserved. Our three-point logo, our name and Intelliwatt are trademarks or registered trademarks of Alliance. All other brand and product names may be the trademarks of their respective companies. Alliance reserves the right to make changes to this document and its products at any time without notice. Alliance assumes no responsibility for any errors that may appear in this document. The data contained herein represents Alliance's best data and/or estimates at the time of issuance. Alliance reserves the right to change or correct this data at any time, without notice. If the product described herein is under development, significant changes to these specifications are possible. The information in this product data sheet is intended to be general descriptive information for potential customers and users, and is not intended to operate as, or provide, any guarantee or warranty to any user or customer. Alliance does not assume any responsibility or liability arising out of the application or use of any product described herein, and disclaims any express or implied warranties related to the sale and/or use of Alliance products including liability or warranties related to fitness for a particular purpose, merchantability, or infringement of any intellectual property rights, except as express agreed to in Alliance's Terms and Conditions of Sale (which are available from Alliance). All sales of Alliance products are made exclusively according to Alliance's Terms and Conditions of Sale. The purchase of products from Alliance does not convey a license under any patent rights, copyrights, mask works rights, trademarks, or any other intellectual property rights of Alliance or third parties. Alliance does not authorize its products for use as critical components in life-supporting systems where a malfunction or failure may reasonably be expected to result in significant injury to the user, and the inclusion of Alliance products in such life-supporting systems implies that the manufacturer assumes all risk of such use and agrees to indemnify Alliance against all claims arising from such use.