

## Excellent Integrated System Limited

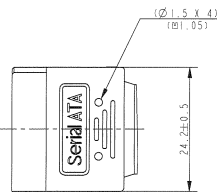
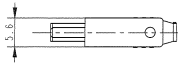
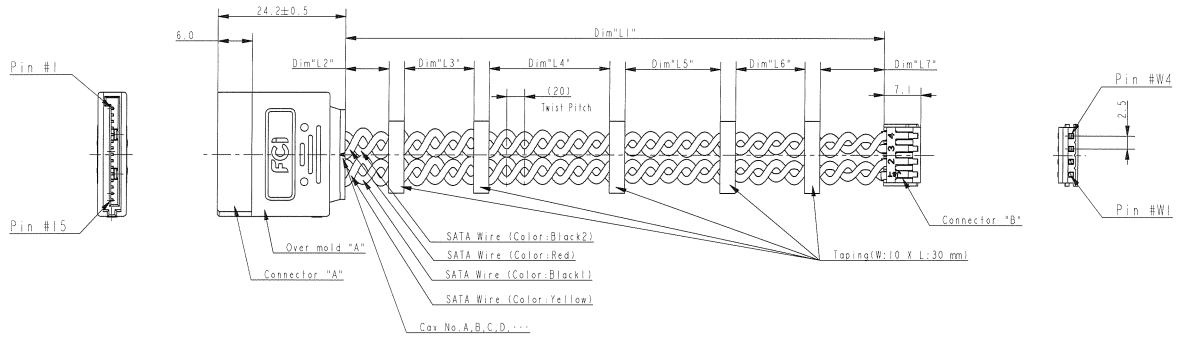
Stocking Distributor

Click to view price, real time Inventory, Delivery & Lifecycle Information:

[FCI](#)  
[10111728-15S300HLF](#)

For any questions, you can email us directly:  
[sales@integrated-circuit.com](mailto:sales@integrated-circuit.com)

1	2		3		4	5	6	7	8				
Product No.	Dim"L1"	Dim"L2"	Dim"L3"	Dim"L4"	Dim"L5"	Dim"L6"	Dim"L7"	Connector "A"	Over mold "A"	Connector "B"	SATA Wire	Solder	Taping
10111728-15S260HLF	260±10	50±8	140±10				50±8	SATA ISP Receptacle connector Straight type Housing, Back Cover: Heat resistant resin, Halogen Free. UL94V-0, Color Black Contact: Copper Alloy Contact Area: Gold over Ni	Heat resistant resin, Halogen Free, UL94V-0, Color Black	EH 4P Connector (2.5mmP Wire/Board Connector) Maker: JST Part No.: Housing: EHR-4 Terminal: SEH-001 T-P0, 6	XLPE Insulation Wire (UL3385 AWG22 VW-I HF -F-) Color: Black X2, Red, Yellow	Sn96.5-Ag3.0-Cu0.5 (Lead Free)	UL510 Tape (Width: 10 X Length: 30) Color: Black Maker: NiHo Denko Product No.: No. 2235
10111728-15S300HLF	300±10	50±8	90±10	100±8			30±8						



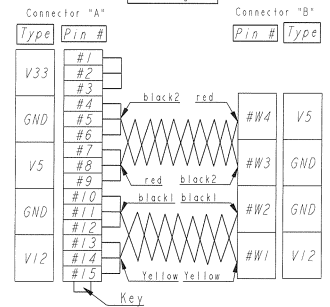
**NOTE:**

- 1) This product is based on Serial ATA Revision 2.6.
- 2) This product is manufactured by soldering process.
- 3) For Dim"L1", please inquire to sales person in our company.
- 4) Product SPEC: GS-12-672
- 5) Package SPEC: GS-14-1056
- 6) PIN composition

10111728 - 15 S XXX H LF

- Lead Free
- Halogen Free
- Cable length: Dim "L1"
- SATA Side Type: (S: Straight, R: R/A)
- Power connector position

**Wiring Table:  
Pin Assignment**



www.fciconnect.com	surface ISO 1002	tolerance std ISO 406 ISO 1101	projection	MM
	ANGULAR	0.25	±0.4	1:2x
	LINEAR	0.25	±0.4	A2
		0.25	±0.4	ECN
Rev. A	210-0210	1.1	2010-10-14	
Dr. T. Ishiyama	2010-10-14			
Eng. T. Ishiyama	2010-10-14			
Chr. T. Ishiyama	2010-10-14			
Appr. T. Ishiyama	2010-10-14			
FCI	SATA ISP Power Cable Harness	Product Family	233F	Spec ref
	SATA ISP Receptacle Straight Cable Twist			
	10111728			Rev. A
				CUSTOMER (sheet 1 of 1)