

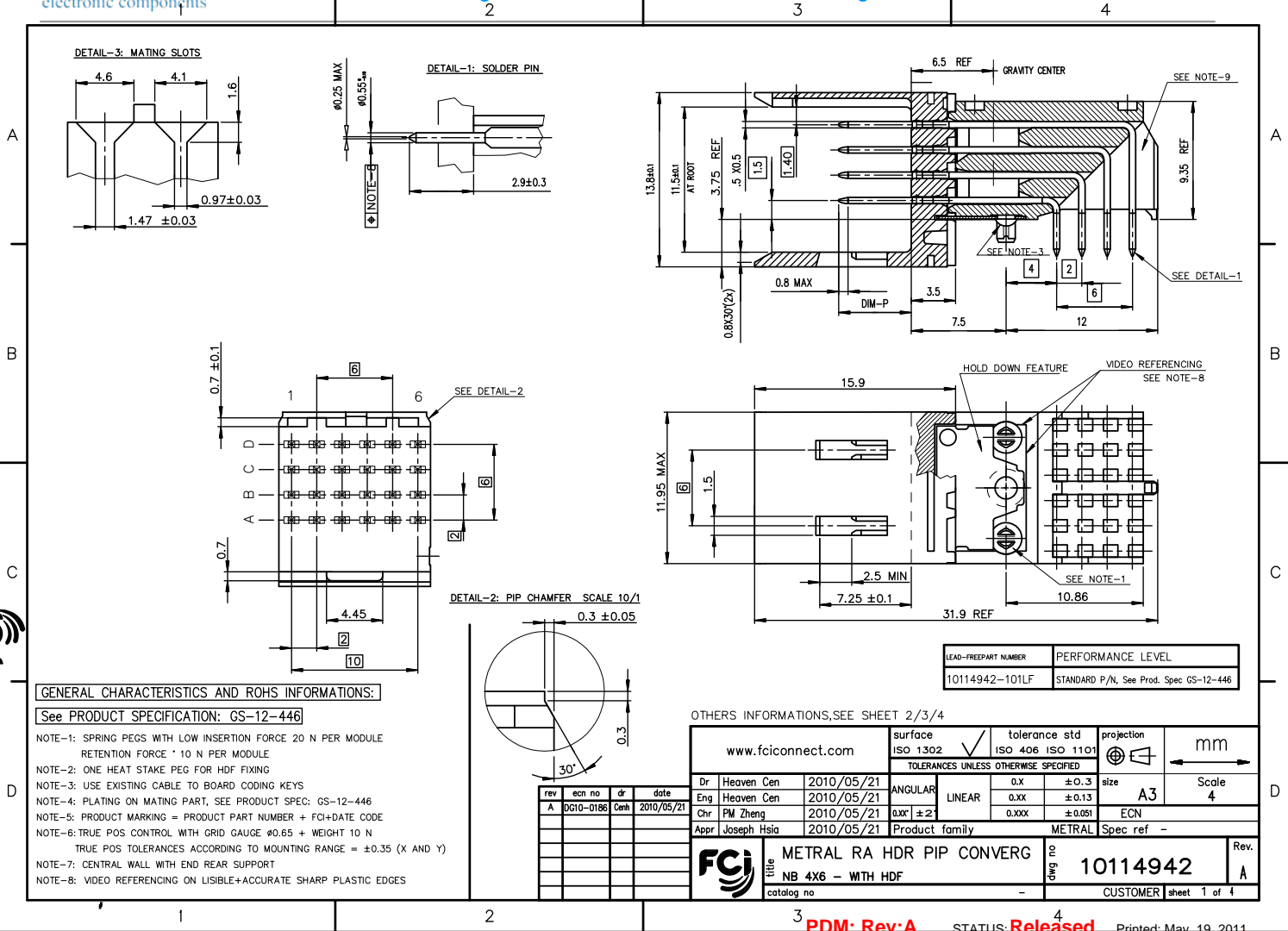
## Excellent Integrated System Limited

Stocking Distributor

Click to view price, real time Inventory, Delivery & Lifecycle Information:

[FCI](#)  
[10114942-101LF](#)

For any questions, you can email us directly:  
[sales@integrated-circuit.com](mailto:sales@integrated-circuit.com)

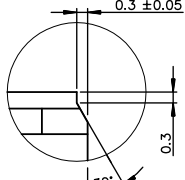


**GENERAL CHARACTERISTICS AND ROHS INFORMATIONS:**

See PRODUCT SPECIFICATION: GS-12-446

- NOTE-1: SPRING PEGS WITH LOW INSERTION FORCE 20 N PER MODULE RETENTION FORCE \* 10 N PER MODULE
- NOTE-2: ONE HEAT STAKE PEG FOR HDF FIXING
- NOTE-3: USE EXISTING CABLE TO BOARD CODING KEYS
- NOTE-4: PLATING ON MATING PART, SEE PRODUCT SPEC: GS-12-446
- NOTE-5: PRODUCT MARKING = PRODUCT PART NUMBER + FCI+DATE CODE
- NOTE-6: TRUE POS CONTROL WITH GRID GAUGE Ø0.65 + WEIGHT 10 N TRUE POS TOLERANCES ACCORDING TO MOUNTING RANGE = ±0.35 (X AND Y)
- NOTE-7: CENTRAL WALL WITH END REAR SUPPORT
- NOTE-8: VIDEO REFERENCING ON LISIBLE+ACCURATE SHARP PLASTIC EDGES

DETAIL-2: PIP CHAMFER SCALE 10/1



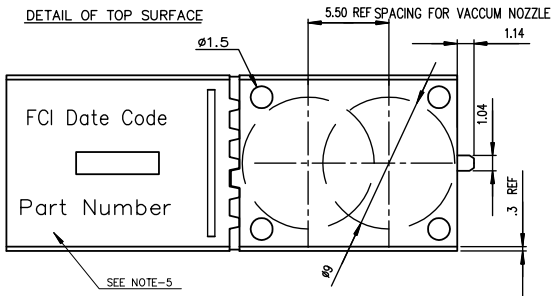
LEAD-FREE/PART NUMBER	PERFORMANCE LEVEL
10114942-101LF	STANDARD P/N, See Prod. Spec GS-12-446

OTHERS INFORMATIONS, SEE SHEET 2/3/4

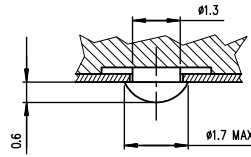
www.fciconnect.com		surface	tolerance std	projection	mm
		ISO 1302	ISO 406 ISO 1101		
TOLERANCES UNLESS OTHERWISE SPECIFIED					
Dr	Heaven Cen	2010/05/21	ANGULAR	0.X ±0.3	size A3 Scale 4
Eng	Heaven Cen	2010/05/21	LINEAR	0.XX ±0.13	
Chr	PM Zheng	2010/05/21	0.XX ±2	0.XXX ±0.051	ECN
Appr	Joseph Hsia	2010/05/21	Product family	METRAL	Spec ref -
FCI			METRAL RA HDR PIP CONVERG		Rev. A
title			NB 4X6 - WITH HDF		10114942
catalog no					CUSTOMER sheet 1 of 4

rev	ecn no	dr	date
A	0610-0186	Cmh	2010/05/21

DETAIL OF TOP SURFACE



DETAIL OF CENTRAL HEAT STAKE PEG - SCALE 10/1

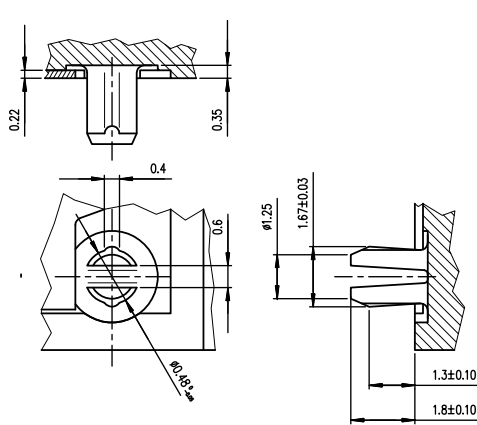
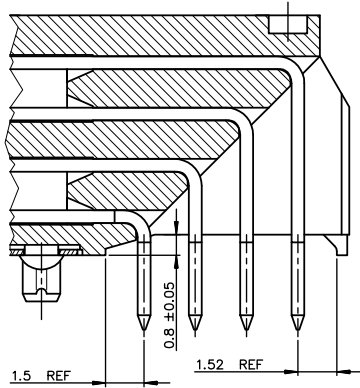


SPECIFIC DATAS: CONTACT LOADING SEE TABLE-1 & 2

TABLE-2

PART NUMBER	ROW	CONTACT CODE CONFIGURATION					
		1	2	3	4	5	6
10114942-X01LF	D	02	02	02	02	02	02
	C	02	02	02	02	02	02
	B	02	02	02	02	02	02
	A	02	02	02	02	02	02

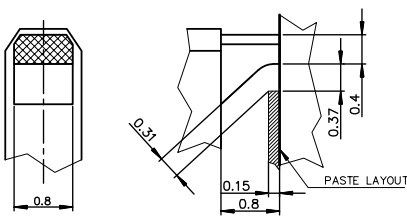
DETAIL OF STAND-OFF SCALE-7/1



CONTACT CODE	
DIM-P	
01	5.00
02	5.75
03	6.50
-	NO CONTACT

TABLE-1

DETAIL OF REAR SUPPORT SCALE-20/1



DETAIL OF RETENTION PEGS (2x) SCALE 10/1

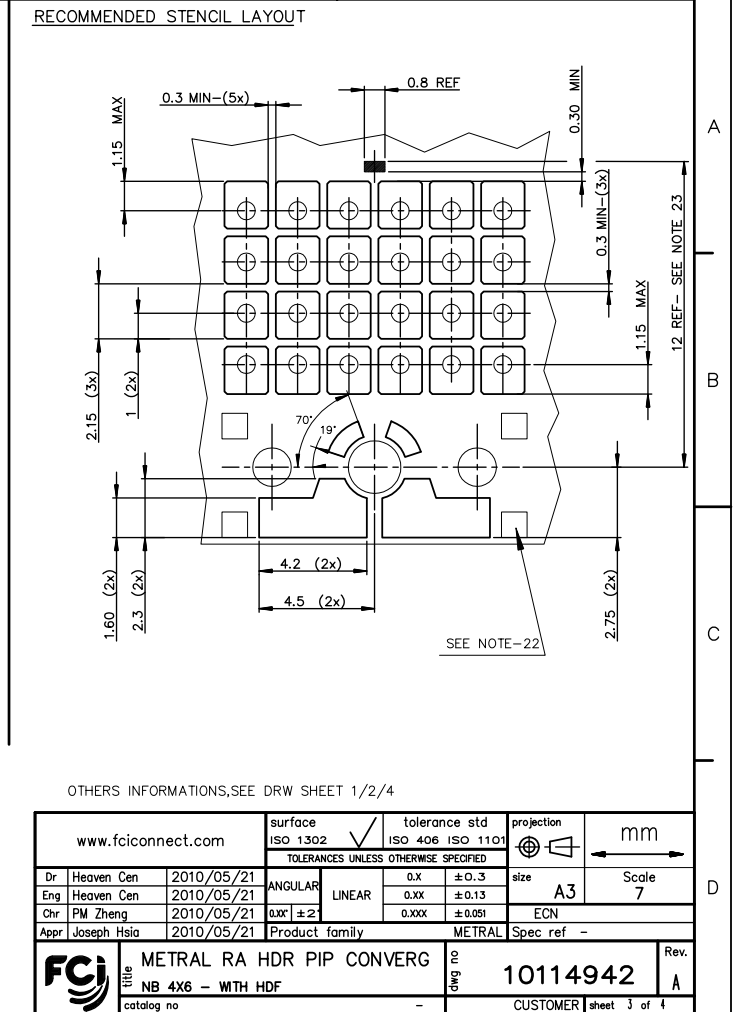
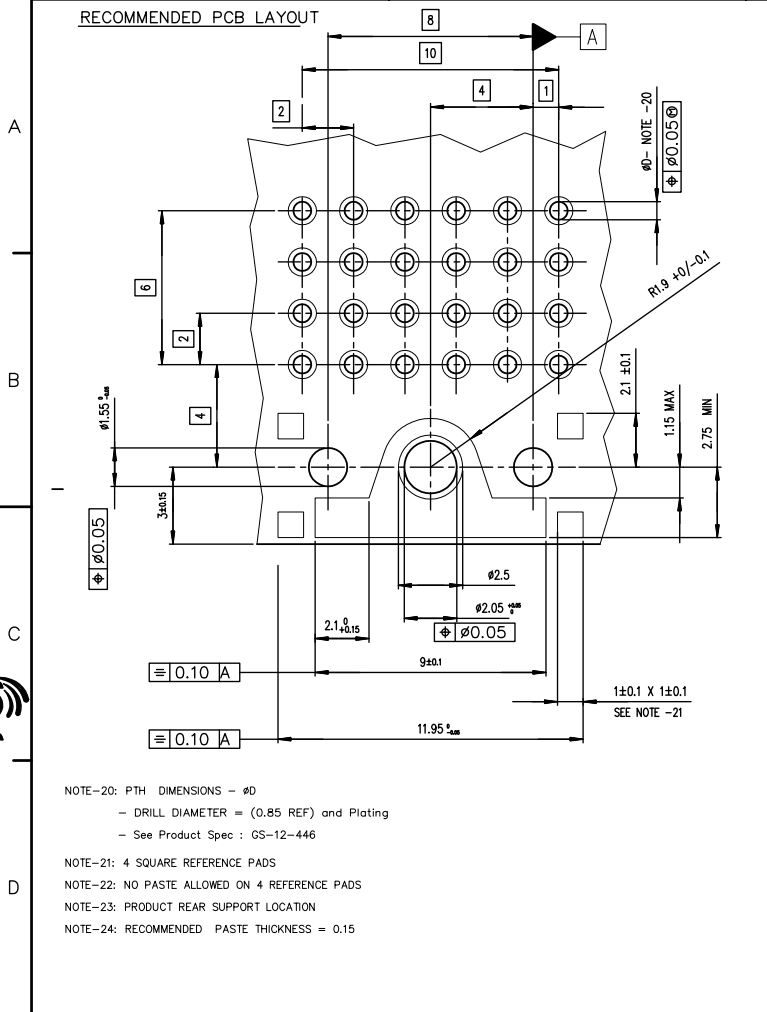
OTHERS INFORMATIONS, SEE DRW 1/-3/-4

www.fciconnect.com		surface ISO 1302	tolerance std ISO 406 ISO 1101	projection mm
TOLERANCES UNLESS OTHERWISE SPECIFIED				
Dr	Heaven Cen	2010/05/21	ANGULAR	size A3
Eng	Heaven Cen	2010/05/21	LINEAR	Scale 4
Chr	PM Zheng	2010/05/21	0.XX ± 2	ECN
Appr	Joseph Hsia	2010/05/21	Product family	METRAL Spec ref -
			<b>10114942</b> CUSTOMER sheet 2 of 4	Rev. <b>A</b>

Copyright FCI

RECOMMENDED PCB LAYOUT

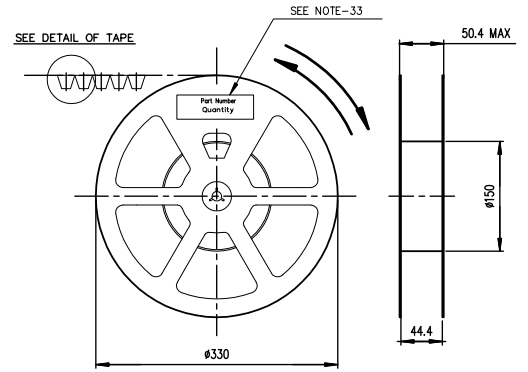
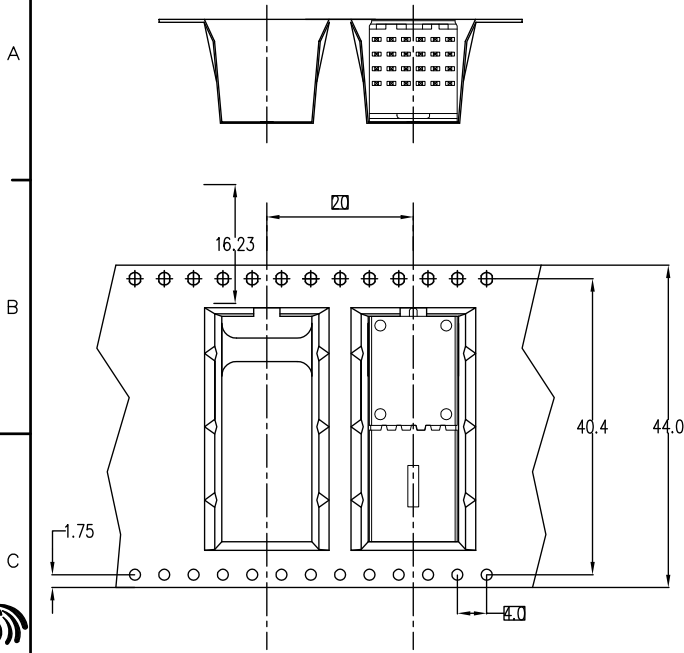
RECOMMENDED STENCIL LAYOUT



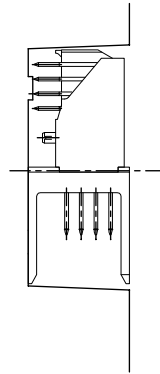
www.fciconnect.com		surface ISO 1302	tolerance std ISO 406 ISO 1101	projection	mm
TOLERANCES UNLESS OTHERWISE SPECIFIED					
Dr	Heaven Cen	2010/05/21	ANGULAR	0.X ±0.3	size A3 Scale 7
Eng	Heaven Cen	2010/05/21	LINEAR	0.XX ±0.13	
Chr	PM Zheng	2010/05/21	0.XX ±2	0.XXX ±0.051	ECN
Appr	Joseph Hsia	2010/05/21	Product family	METRAL	Spec ref -
<b>FCI</b>		title METRAL RA HDR PIP CONVERG NB 4X6 - WITH HDF		orig no 10114942	Rev. A
catalog no				CUSTOMER sheet 3 of 4	

**PACKAGING SPECIFICATION**

**DETAIL OF REEL SCALE 1/5**



**DETAIL OF REEL HUB SCALE 1/1**



- NOTE-30: REF SPECIFICATION: EIA-481-B
- NOTE-31: TAPE MATERIAL: PVC ANTISTATIC  
 SURFACE RESISTIVITY 10<sup>12</sup> OHMS/SQUARE AFTER HEAT FORMING  
 CARRIER P/N: 10097632-006 COVER TAPE P/N: 10097632-007
- NOTE-32: PACKAGING QTY: PACKAGING MATERIAL DETAIL INFORMATION PLEASE REFER TO DRAWING OF 10097632  
 - QTY PER REEL(P/N:10097632-005) = 120 PCS  
 - QTY PER BOX (P/N:10097632-004) = 6 REELS = 720 PCS
- NOTE-33: LABEL FOR IDENTIFICATION: PART NUMBER,DATE-CODE,TRACABILITY INFORMATIONS
- NOTE-34: RECYCLABLE MATERIAL FOR REEL + ANTISTATIC TREATMENT

OTHERS INFORMATIONS,SEE DRW 58360 SHEET 1/2/3

European Views

www.fciconnect.com			surface ISO 1302	tolerance std ISO 406 ISO 1101	projection mm
			TOLERANCES UNLESS OTHERWISE SPECIFIED		
Dr	Heaven Cen	2010/05/21	ANGULAR	0.X	±0.3
Eng	Heaven Cen	2010/05/21	LINEAR	0.XX	±0.13
Chr	PM Zheng	2010/05/21	0.XX ± 2	0.XXX	±0.051
Appr	Joseph Hsia	2010/05/21	Product family	METRAL	Spec ref -
			<b>FCI</b> Title METRAL RA HDR PIP CONVERG NB 4X6 - WITH HDF catalog no -		Rev. <b>10114942</b> A
			CUSTOMER		sheet 4 of 4

Copyright FCI