

Excellent Integrated System Limited

Stocking Distributor

Click to view price, real time Inventory, Delivery & Lifecycle Information:

[FCI](#)
[10120124-00E-10DLF](#)

For any questions, you can email us directly:
sales@integrated-circuit.com

10120124 - X 0 E - X X X LF

8-COLUMN
DIFFERENTIAL
SIGNAL

LEAD-FREE DESIGNATION
ONLY WITH APPLICABLE
PLATING CODES

LETTER	PLATING (SEE NOTE 6)	
	APPLICATION	TYPE (REFERENCE)
B	TELCORDIA CO	0.76µm GOLD or GXT
C	TELCORDIA UE	1.27µm GOLD
D	TELCORDIA CO	0.76µm GOLD or GXT, LEAD-FREE
E	TELCORDIA UE	1.27µm GOLD, LEAD-FREE

NUMBER	GUIDE PIN STYLE (SEE NOTE 8)
0	STANDARD GUIDE PIN, MACHINED
1	STANDARD GUIDE PIN, ROLLED

MODULE DESCRIPTION	LETTER DESIGNATION REPRESENTED IN DASH NUMBER										BASE MODULE
	N	J	A	B	C	D	E	F	G	H	
LEFT POLARIZING GUIDANCE MODULE (SEE SHEET 6)	NO KEY NO GUIDE PIN										
RIGHT POLARIZING GUIDANCE MODULE (SEE SHEET 7)	NO KEY NO GUIDE PIN										
OPEN MODULE (TWO WALL) (SEE SHEET 2)	0 (ZERO)										
LEFT WALL MODULE (SEE SHEET 3)	L										
RIGHT WALL MODULE (SEE SHEET 4)	M										
FOUR WALL MODULE (SEE SHEET 5)	1 (ONE)										

NUMBER	CONTACT MATING WIPE LENGTH		COMPLIANT TAIL TYPE (SEE NOTE 9)
	SIGNAL	GROUND	
1	2 MM	4 MM	0.55 (0.0217") DRILL
2	3 MM	4 MM	0.55 (0.0217") DRILL
3	2 MM	4 MM	0.45 MICRO (0.0177") DRILL
4	3 MM	4 MM	0.45 MICRO (0.0177") DRILL
5	2 MM	3 MM	0.55 (0.0217") DRILL
6	3 MM	3 MM	0.55 (0.0217") DRILL
7	2 MM	3 MM	0.45 MICRO (0.0177") DRILL
8	3 MM	3 MM	0.45 MICRO (0.0177") DRILL

FOR CUSTOM-LOADED MODULES, SEE INDIVIDUAL CUSTOM DRAWINGS WITH THE DRAWING-NUMBER FORMAT OF 10120124-XXXX, WHERE: "X" DENOTES MODULE TYPE PER CHART ON THIS SHEET "YYYY" IS A SEQUENTIAL NUMBER BEGINNING WITH "0001".

	UNGROUNDED	GROUNDED
FHS	∅ 2.35-∅ 2.55	∅ 2.35-∅ 2.55
PAD	N/A	∅ 5.50
PLATED	NO	YES
DRILL (mm)	2.44mm	2.58mm
DRILL (in)	0.096"	0.1015"

SCREW P/N	DESCRIPTION	BOARD THICKNESS
10091790-002LF	#2-56 X 0.375" LG. PHILIPS PANHEAD W/SO CONICAL WASHER	1.60-5.00mm
10091790-003LF	#2-56 X 0.375" LG. PHILIPS PANHEAD W/SO CONICAL WASHER	5.00-10.00mm

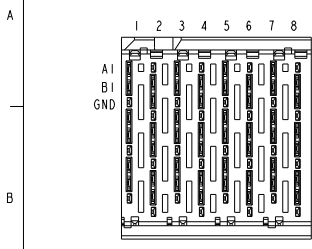
spec. ref.	dr.	projection	MM	size	A2	scale	5:1	
tolerance 214	ISO 406	ISO 1101	TOLERANCES UNLESS OTHERWISE SPECIFIED		product family			XCEDE HD
surface	linear	0.1 ±0.3	0.2X ±0.10	0.25X ±0.05	FCI	XCEDE HD VERTICAL HEADER	10120124	
ISO 1302	angular	∅	±2°	www.fci.com	cat. no.	Product - Customer Draw	sheet 1 of 0	

PDS: Rev :B

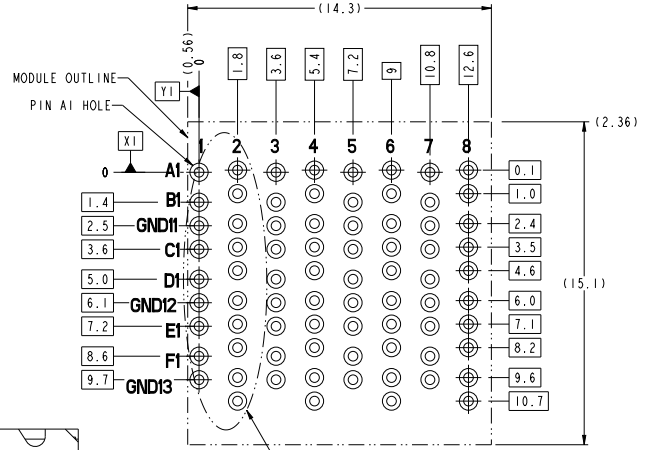
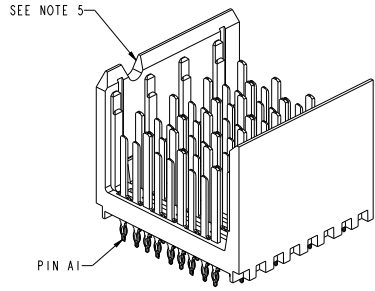
STATUS: Released

Printed: Apr 10, 2013

Copyright FCI.



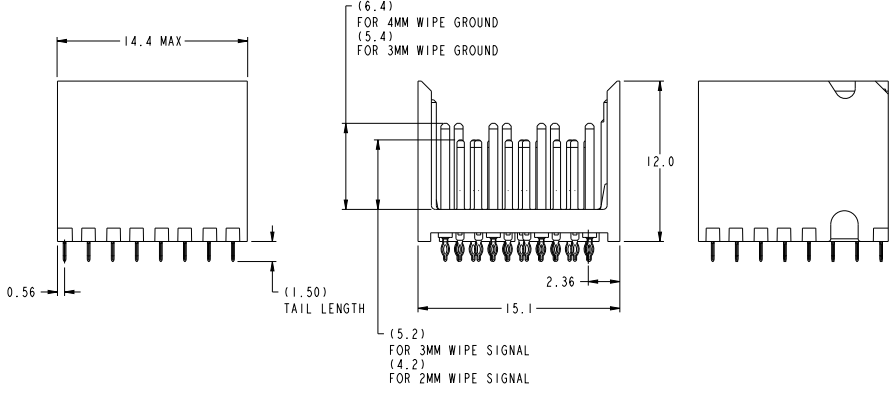
OPEN WALL MODULE



SEE DETAIL A ON SHEET 8 FOR PINOUT DETAILS

BP HOLE PATTERN COMPONENT SIDE

OPEN WALL MODULE BACKPLANE FOOTPRINT



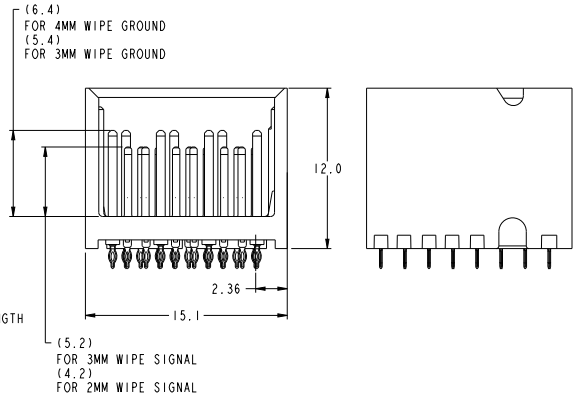
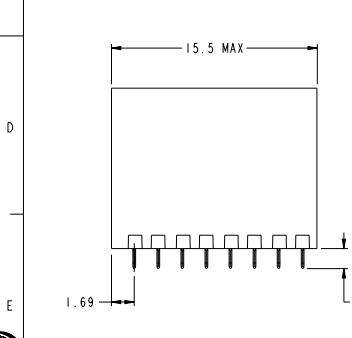
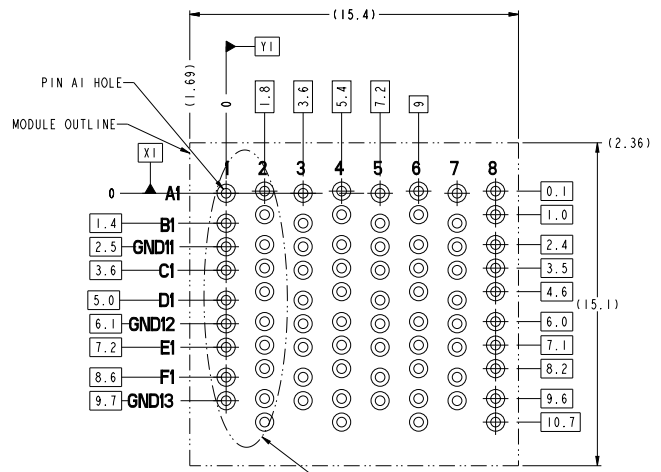
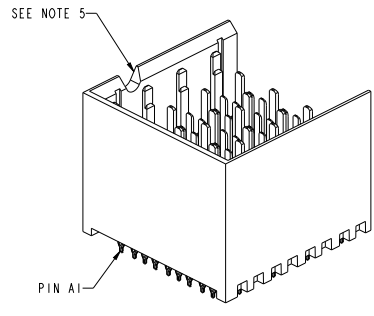
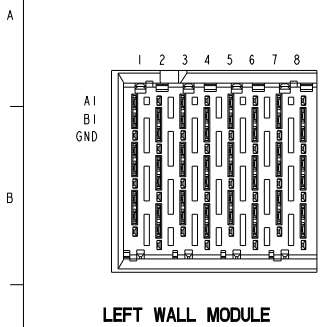
Copyright FCI

spec. ref.	-	dr.	highland lin	designed by	projection	MM	size	A2	scale	5:1
tolerance	ISO 406 ISO 1101	eng	chp	checked	product family	XCEDE HD	rel. level	Released	part no.	10120124
TOLERANCES UNLESS OTHERWISE SPECIFIED		appr.	www.fci.com	part number	XCEDE HD VERTICAL HEADER 3 PAIR, 8 COLUMN STITCH HEADER		rev	B	Product - Customer Draw	
surface	linear	0.1	±0.3	0.2X	±0.10	0.25X	±0.05	angular	0°	±2°
ISO 1302		www.fci.com		cat. no.	Product - Customer Draw		sheet 2 of 6			

PDS: Rev: B

STATUS: Released

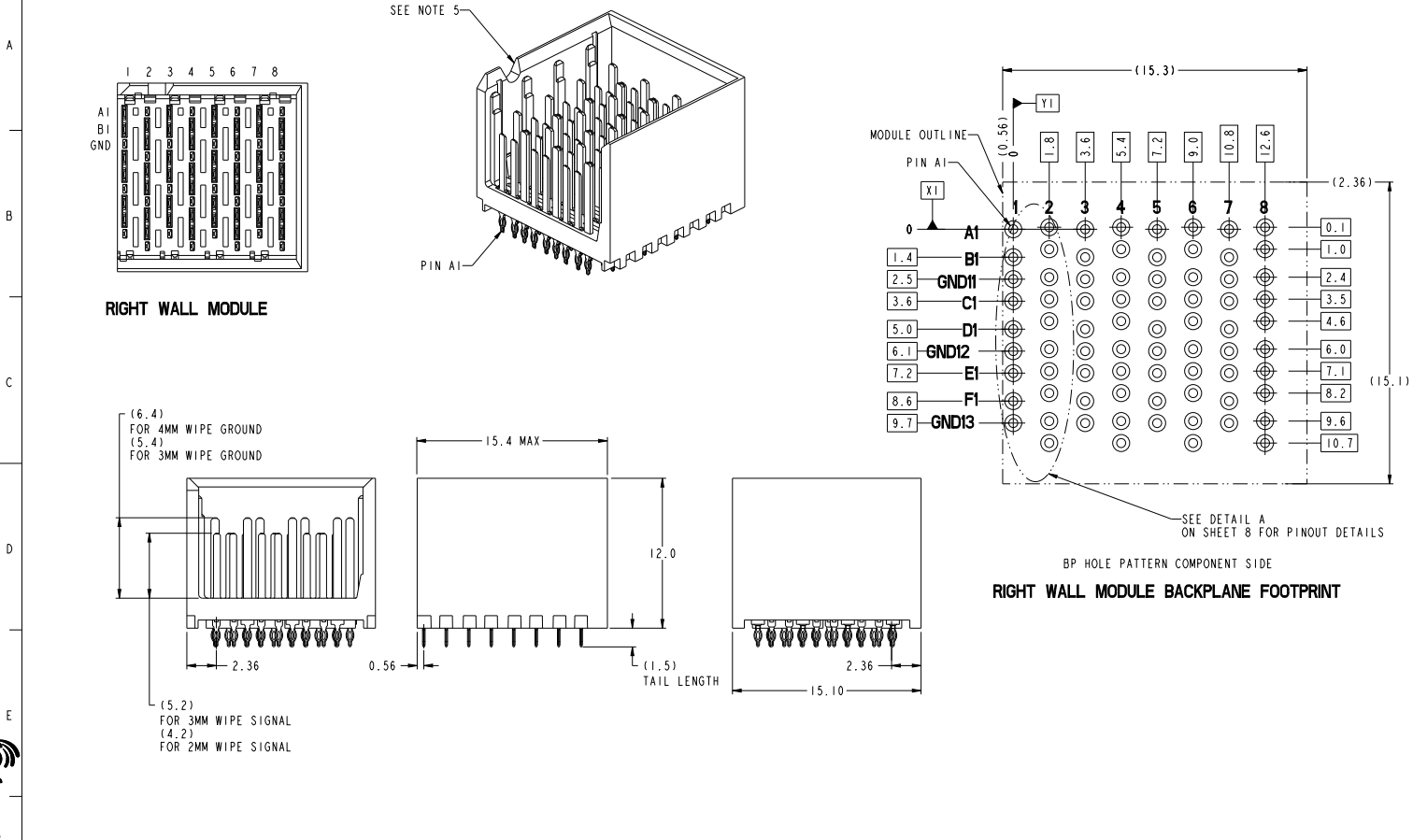
Printed: Apr 10, 2013



spec. ref.	-	dr.	highland Lin	designed by	projection	MM	size	A2	scale	5:1
tolerance	ISO 1101	eng	hmdr	checked	ISO 406	ISO 1101	ecc. no.	10120124	rel. level	Released
TOLERANCES UNLESS OTHERWISE SPECIFIED		appr.	hmdr	checked	product family	XCEDE HD	rel. level	Released		
surface	linear	0.1	±0.3	FCI	XCEDE HD VERTICAL HEADER		part no.	10120124	rev	B
	linear	0.2X	±0.10	www.fci.com	3 PAIR, 8 COLUMN STITCH HEADER		Product	Customer Draw	sheet	3 of 6
	angular	0°	±2°							

PDS: Rev: B STATUS: Released Printed: Apr 10, 2013

Copyright FCI



SEE NOTE 5

RIGHT WALL MODULE

RIGHT WALL MODULE BACKPLANE FOOTPRINT

Copyright FCI

spec. ref.	-	dr.	Integrated Lin	designed by		projection	MM	size	A2	scale	5:1	
tolerance	ISO 406 ISO 1101	eng	chf	checked		product family	XCEDE HD	acc. no.		rel. level	Released	
surface	linear	0.1	±0.3	0.2X	±0.10	0.1X	±0.05	FCI	XCEDE HD VERTICAL HEADER	10120124	rev	B
	angular	0°	±2°					www.fci.com	3 PAIR, 8 COLUMN STITCH HEADER		Product	Customer Draw

PDS: Rev: B

STATUS: Released

Printed: Apr 10, 2013

2

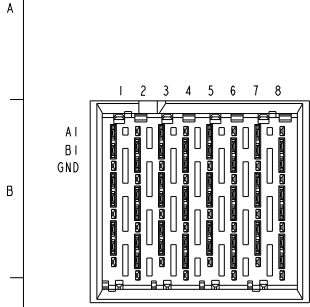
3

4

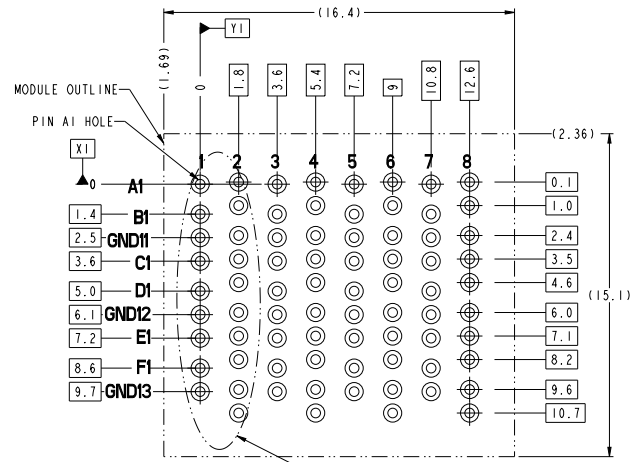
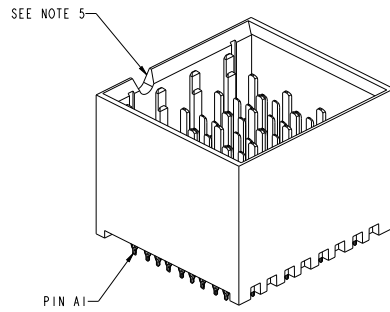
5

F

6

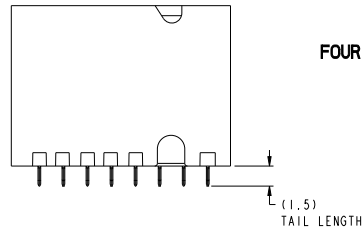
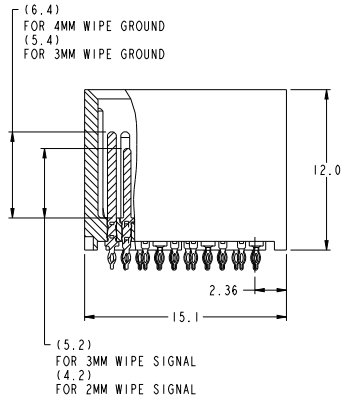
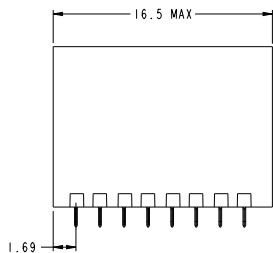


FOUR WALL MODULE



SEE DETAIL A
ON SHEET 8 FOR PINOUT DETAILS
BP HOLE PATTERN COMPONENT SIDE

FOUR WALL MODULE BACKPLANE FOOTPRINT

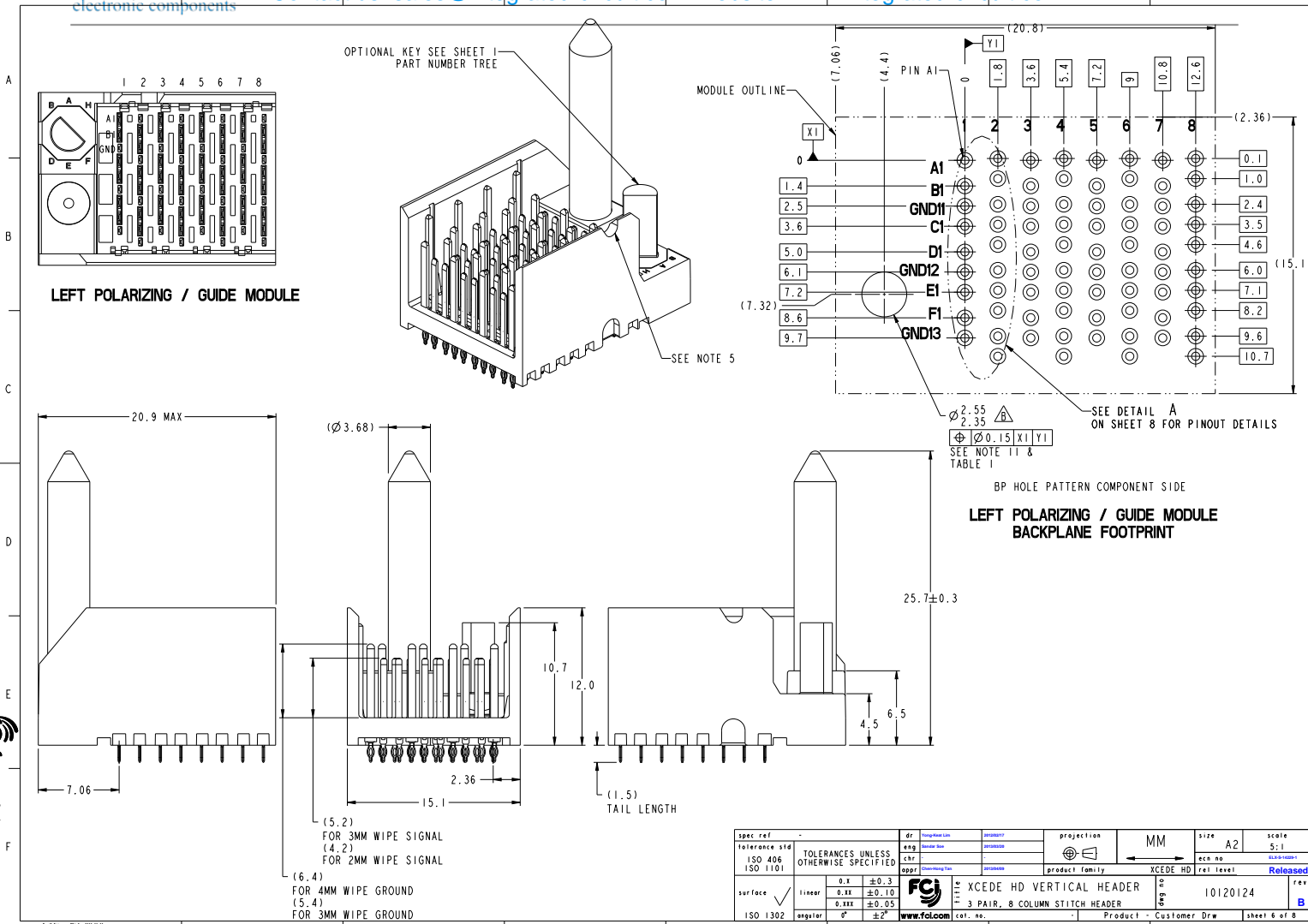


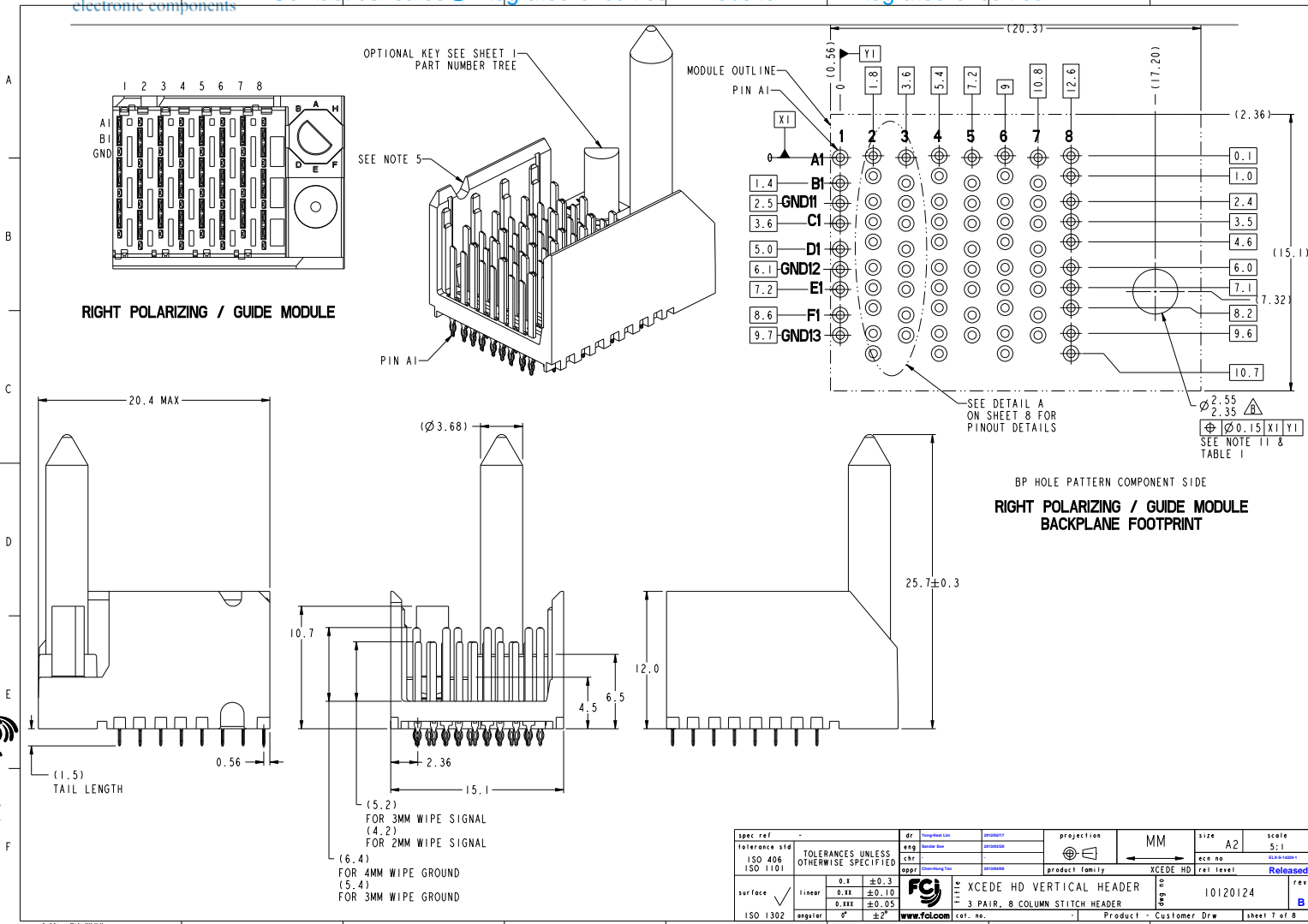
spec. ref.	-	dr.	highland Lin	designed by	projection	MM	size	A2	scale	5:1	
tolerance	ISO 406 ISO 1101	eng	chris	checked			acc. no.				
TOLERANCES UNLESS OTHERWISE SPECIFIED		chr					product family	XCEDE HD	rel. level	Released	
surface	linear 0.1 ±0.3 0.2X ±0.10 0.25X ±0.05 angular 0° ±2°	appr	highland Lin	approved			product	XCEDE HD VERTICAL HEADER 3 PAIR, 8 COLUMN STITCH HEADER	part no.	10120124	
ISO 1302			www.fci.com	cat. no.		Product	Customer Draw	sheet	5 of 6	rev	B

PDS: Rev :B

STATUS: Released

Printed: Apr 10, 2013





Copyright FCI

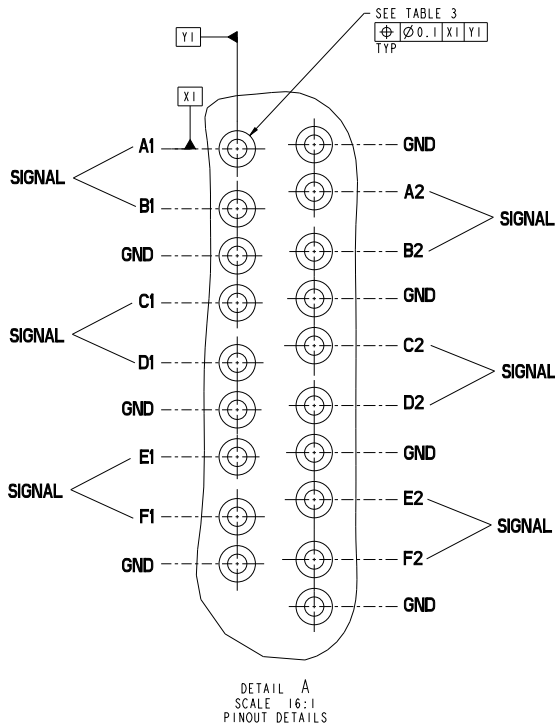


TABLE 3		
	COMPLIANT PIN DRILL $\varnothing 0.55$ [0.0217"]	COMPLIANT PIN DRILL $\varnothing 0.45$ [0.0117"]
PTH	$\varnothing 0.45 \pm 0.05$	$\varnothing 0.36 \pm 0.05$
DRILL	$\varnothing 0.55$ [0.0217"]	$\varnothing 0.45$ [0.0117"]
PAD	$\varnothing 0.85$	$\varnothing 0.75$

NOTES:

- CONNECTOR MATERIALS
SHROUD : HIGH-TEMP POLYMER, COLOR : BLACK, UL94V-0
CONTACTS : HIGH PERFORMANCE COPPER ALLOY
- PRODUCT SPECIFICATION : GS-12-0936
- APPLICATION SPECIFICATION : GS-20-0348
- PRODUCT MARKING :
PART NUMBER (10120124-XOE-XXXLF)
"FCI" AND DATE CODE (FCI P#####)
- NOTCH DESIGNATES "ROW A" SIDE OF CONNECTOR. NOTCH FEATURE ON OPPOSITE FOR PRODUCT MARKING.
- PLATING THICKNESS OF SIGNAL & GROUND CONTACT ARE DETERMINED BY PLATING CODE, REFER TO P/N TREE ON SHEET 1.
- PACKAGING MEETS GS-14-920 LEAD-FREE LABELING SPECIFICATION.
- GUIDE-PIN STYLE DESIGNATION ONLY APPLIES TO MODULE VERSIONS THAT REQUIRE GUIDE-PIN HARDWARE. FOR ALL NON-GUIDE-PIN VERSIONS, THE DEFAULT DASH-NUMBER DIGIT IN THAT LOCATION IS STILL "0".
- SEE APPLICATION SPECIFICATION FOR ROUTING GUIDELINES, ADDITIONAL PTH GUIDELINES, MATED DIMENSIONS, GUIDE PIN SELECTION, ETC.
- A Δ SYMBOL WILL BE NEXT TO ANY DIMENSION, VIEW OR NOTE THAT HAS BEEN MODIFIED WITH THE CURRENT DRAWING REVISION.
- Δ ① OPTIONAL HOLE LOCATION FOR GROUNDED PIN OR ADDITIONAL GUIDE-PIN SUPPORT. SEE TABLE 1 SHEET 1 FOR ADDITIONAL DETAILS.
- Δ ② SCREW IS OPTIONAL AND ENGAGES WITH BOTTOM OF GUIDE PIN FROM BENEATH THE PCB FOR ADDITIONAL GUIDE-PIN SUPPORT.

spec. ref.	-	dr.	Engineering	projection	MM	size	A2	scale	5:1
tolerance	ISO 406 ISO 1101	eng.	CHP	product family	XCEDE HD	acc. no.		rel. level	Released
surface	ISO 1302	appr.	www.fci.com	product	XCEDE HD VERTICAL HEADER 3 PAIR, 8 COLUMN STITCH HEADER	part no.	10120124	rev	B
				Product	Customer Draw	sheet	8 of 8		

PDS: Rev: B

STATUS: Released

Printed: Apr 10, 2013

2

3

4

5

F

E

D

C

B

A

Copyright FCI