



Distributor of Molex Connector Corporation: Excellent Integrated System Limited
Datasheet of 0387600128 - Connector Barrier Block Strip 28 Circuit 0.375" (9.53mm)

Contact us: sales@integrated-circuit.com Website: www.integrated-circuit.com

Excellent Integrated System Limited

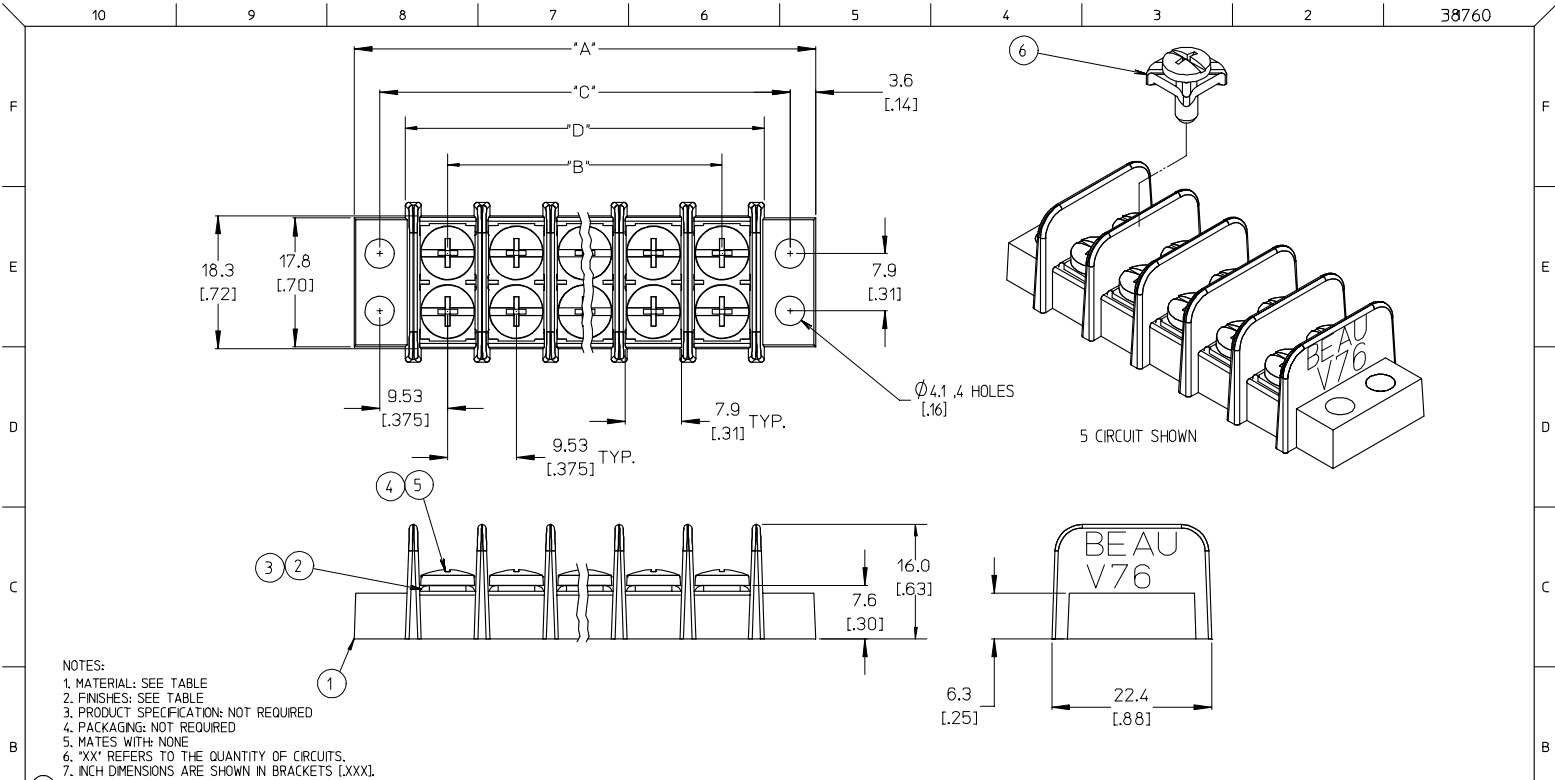
Stocking Distributor

Click to view price, real time Inventory, Delivery & Lifecycle Information:

[Molex Connector Corporation](#)
[0387600128](#)

For any questions, you can email us directly:

sales@integrated-circuit.com



- NOTES:
 1. MATERIAL: SEE TABLE
 2. FINISHES: SEE TABLE
 3. PRODUCT SPECIFICATION: NOT REQUIRED
 4. PACKAGING: NOT REQUIRED
 5. MATES WITH: NONE
 6. 'XX' REFERS TO THE QUANTITY OF CIRCUITS.
 7. INCH DIMENSIONS ARE SHOWN IN BRACKETS [XXX].
 8. ASSEMBLY IS ROHS COMPLIANT.

ITEM	QTY	DESCRIPTION	MATERIAL	FINISH
6	XX*2	SCREW, #6-32X.250, PAN HD, PH-SL W/WSHR (-50 OPTION)	STEEL	ZINC W/CHROMATE
5	XX*2	SCREW, #6-32X.250, BGHD, PHIL-SLOT (-49 OPTION)	BRASS	NICKEL
4	XX*2	SCREW, #6-32X.250, BGHD, PHIL-SLOT (STANDARD)	STEEL	ZINC W/CHROMATE
3	XX	TERMINAL PLATE (-49 OPTION)	BRASS	TIN
2	XX	TERMINAL PLATE	BRASS	NICKEL
1	1	INSULATOR	THERMOPLASTIC	BLACK

ADDED -49 & -50 OPTION EC NO: ETC2007-0195 2006/11/13 2006/11/13	QUALITY SYMBOLS ▽=0 ▽=0
---	-------------------------------

GENERAL TOLERANCES (UNLESS SPECIFIED)	
	mm INCH
4 PLACES	±.0015 ±.0015
3 PLACES	±0.038 ±.005
2 PLACES	±0.13 ±.01
1 PLACE	±0.3 ±---
ANGULAR ± 2°	

DIMENSION STYLE	SCALE	DESIGN UNITS	THIRD ANGLE PROJECTION
MM/IN	2:1	INCH	☉

DRAWN BY R. KEMP 2002/10/10	DATE 2002/10/10	TITLE 9.53MM [.375] DOUBLE ROW BTS ASSEMBLY
CHECKED BY P. WALTZ 2002/10/14	DATE 2002/10/14	
APPROVED BY L. ROTHBAUS 2002/10/14	DATE 2002/10/14	
MATERIAL NO. SEE CHART	DOCUMENT NO. SD-38760-001	MOLEX INCORPORATED
SIZE B	THIS DRAWING CONTAINS INFORMATION THAT IS PROPRIETARY TO MOLEX INCORPORATED AND SHOULD NOT BE USED WITHOUT WRITTEN PERMISSION	
		SHEET NO. 1 OF 2

10 9 8 7 6 5 4 3 2 38760

NO. OF CIRCUITS "XX"	DIM. 'A'		DIM. 'B'		DIM. 'C'		DIM. 'D'		ASSEMBLY MATERIAL NO. (STANDARD)	ASSEMBLY MATERIAL NO. (-49 OPTION)	ASSEMBLY MATERIAL NO. (-50 OPTION)
	mm	in	mm	in	mm	in	mm	in			
2	35.7	[1.41]	9.53	[.375]	28.6	[1.13]	21.3	[.84]	38760-0102	387600202	387600302
3	45.2	[1.78]	19.05	[.750]	38.1	[1.50]	30.8	[1.21]	38760-0103	387600203	387600303
4	54.7	[2.16]	28.58	[1.125]	47.6	[1.88]	40.3	[1.59]	38760-0104	387600204	387600304
5	64.3	[2.53]	38.10	[1.500]	57.2	[2.25]	49.8	[1.96]	38760-0105	387600205	387600305
6	73.8	[2.91]	47.63	[1.875]	66.7	[2.63]	59.4	[2.34]	38760-0106	387600206	387600306
7	83.3	[3.28]	57.15	[2.250]	76.2	[3.00]	68.9	[2.71]	38760-0107	387600207	387600307
8	92.8	[3.66]	66.68	[2.625]	85.7	[3.38]	78.4	[3.09]	38760-0108	387600208	387600308
9	102.4	[4.03]	76.20	[3.000]	95.3	[3.75]	87.9	[3.46]	38760-0109	387600209	387600309
10	111.9	[4.41]	85.73	[3.375]	104.8	[4.13]	97.5	[3.84]	38760-0110	387600210	387600310
11	121.4	[4.78]	95.25	[3.750]	114.3	[4.50]	107.0	[4.21]	38760-0111	387600211	387600311
12	130.9	[5.16]	104.78	[4.125]	123.8	[4.88]	116.5	[4.59]	38760-0112	387600212	387600312
13	140.5	[5.53]	114.30	[4.500]	133.4	[5.25]	126.0	[4.96]	38760-0113	387600213	387600313
14	150.0	[5.91]	123.83	[4.875]	142.9	[5.63]	135.6	[5.34]	38760-0114	387600214	387600314
15	159.5	[6.28]	133.35	[5.250]	152.4	[6.00]	145.1	[5.71]	38760-0115	387600215	387600315
16	169.0	[6.66]	142.88	[5.625]	161.9	[6.38]	154.6	[6.09]	38760-0116	387600216	387600316
17	178.6	[7.03]	152.40	[6.000]	171.5	[6.75]	164.1	[6.46]	38760-0117	387600217	387600317
18	188.1	[7.41]	161.93	[6.375]	181.0	[7.13]	173.7	[6.84]	38760-0118	387600218	387600318
19	197.6	[7.78]	171.45	[6.750]	190.5	[7.50]	183.2	[7.21]	38760-0119	387600219	387600319
20	207.1	[8.16]	180.98	[7.125]	200.0	[7.88]	192.7	[7.59]	38760-0120	387600220	387600320
21	216.7	[8.53]	190.50	[7.500]	209.6	[8.25]	202.2	[7.96]	38760-0121	387600221	387600321
22	226.2	[8.91]	200.03	[7.875]	219.1	[8.63]	211.8	[8.34]	38760-0122	387600222	387600322
23	235.7	[9.28]	209.55	[8.250]	228.6	[9.00]	221.3	[8.71]	38760-0123	387600223	387600323
24	245.2	[9.66]	219.08	[8.625]	238.1	[9.38]	230.8	[9.09]	38760-0124	387600224	387600324
25	254.8	[10.03]	228.60	[9.000]	247.7	[9.75]	240.3	[9.46]	38760-0125	387600225	387600325
26	264.3	[10.41]	238.13	[9.375]	257.2	[10.13]	249.9	[9.84]	38760-0126	387600226	387600326
27	273.8	[10.78]	247.65	[9.750]	266.7	[10.50]	259.4	[10.21]	38760-0127	387600227	387600327
28	283.3	[11.16]	257.18	[10.125]	276.2	[10.88]	268.9	[10.59]	38760-0128	387600228	387600328
29	292.9	[11.53]	266.70	[10.500]	285.8	[11.25]	278.4	[10.96]	38760-0129	387600229	387600329
30	302.4	[11.91]	276.23	[10.875]	295.3	[11.63]	288.0	[11.34]	38760-0130	387600230	387600330

ADD'D -49 & -50 OPTION EC NO. ETC2007-0195 CHKD: JIMACNEIL 2006/11/13 APPR: JIMACNEIL 2006/11/13	QUALITY SYMBOLS ▽=0 ▽=0	GENERAL TOLERANCES (UNLESS SPECIFIED)		DIMENSION STYLE	SCALE	DESIGN UNITS	THIRD ANGLE PROJECTION	
		mm	INCH	MM/IN	2:1	INCH	☉	
		4 PLACES ± ---	± .0015	DRAWN BY	DATE	TITLE		
		3 PLACES ± 0.038	± .005	R. KEMP	2002/10/10	9.53MM [.375] DOUBLE ROW BTS ASSEMBLY		
2 PLACES ± 0.13	± .01	CHECKED BY	DATE	MATERIAL NO.				
1 PLACE ± 0.3	± ---	P. WALTZ	2002/10/14	SD-38760-001				
ANGULAR ± 2°		APPROVED BY	DATE	DOCUMENT NO.				
DRAFT WHERE APPLICABLE MUST REMAIN WITHIN DIMENSIONS		L. ROTHHAUS	2002/10/14	MOLEX INCORPORATED				
SIZE B		THIS DRAWING CONTAINS INFORMATION THAT IS PROPRIETARY TO MOLEX INCORPORATED AND SHOULD NOT BE USED WITHOUT WRITTEN PERMISSION		SHEET NO. 2 OF 2				

9 8 7 6 5 4 3 2 1