

Excellent Integrated System Limited

Stocking Distributor

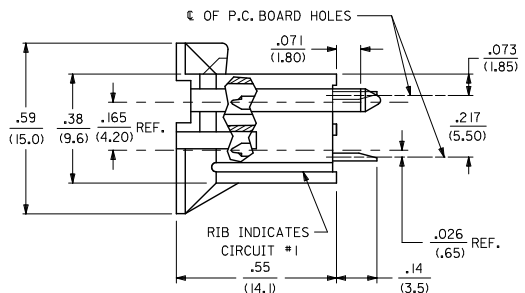
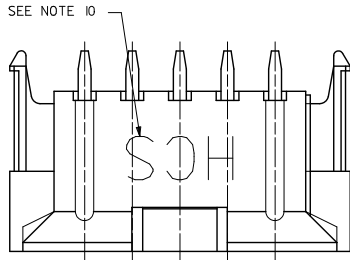
Click to view price, real time Inventory, Delivery & Lifecycle Information:

[Molex Connector Corporation](#)
[0444741411](#)

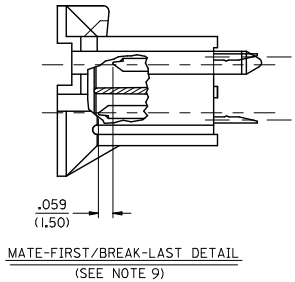
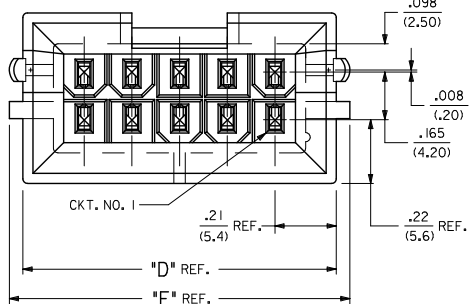
For any questions, you can email us directly:

sales@integrated-circuit.com

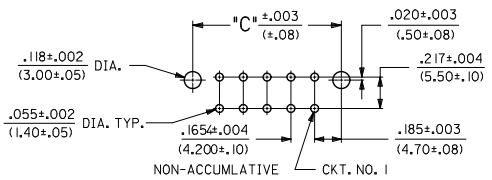
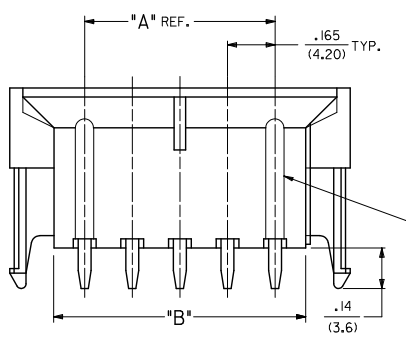
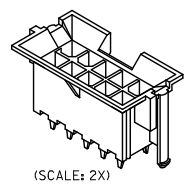
13 12 11 10 9 8 7 6 5 4 3 2 1



CIRCUIT SIZE	DIM. "A"	DIM. "B"	DIM. "C"	DIM. "D"	DIM. "E"
2	—	.21 (5.4)	.370 (9.40)	.425 (10.80)	.520 (13.20)
4	.17 (4.2)	.38 (9.6)	.535 (13.60)	.590 (15.00)	.685 (17.40)
6	.33 (8.4)	.54 (13.8)	.701 (17.80)	.756 (19.20)	.850 (21.60)
8	.50 (12.6)	.71 (18.0)	.866 (22.00)	.921 (23.40)	1.016 (25.80)
10	.66 (16.8)	.87 (22.2)	1.031 (26.20)	1.087 (27.60)	1.181 (30.00)
12	.83 (21.0)	1.04 (26.4)	1.197 (30.40)	1.252 (31.80)	1.346 (34.20)
14	.99 (25.2)	1.20 (30.6)	1.362 (34.60)	1.417 (36.00)	1.512 (38.40)
16	1.16 (29.4)	1.37 (34.8)	1.528 (38.80)	1.583 (40.20)	1.677 (42.60)
18	1.32 (33.6)	1.54 (39.0)	1.693 (43.00)	1.748 (44.40)	1.843 (46.80)
20	1.49 (37.8)	1.70 (43.2)	1.858 (47.20)	1.913 (48.60)	2.008 (51.00)
22	1.65 (42.0)	1.87 (47.4)	2.024 (51.40)	2.079 (52.80)	2.173 (55.20)
24	1.82 (46.2)	2.03 (51.6)	2.189 (55.60)	2.244 (57.00)	2.339 (59.40)

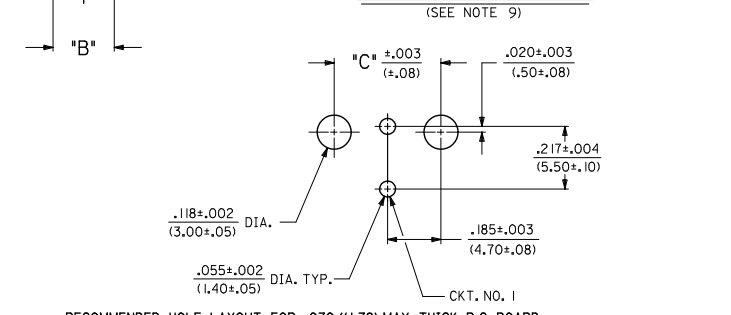
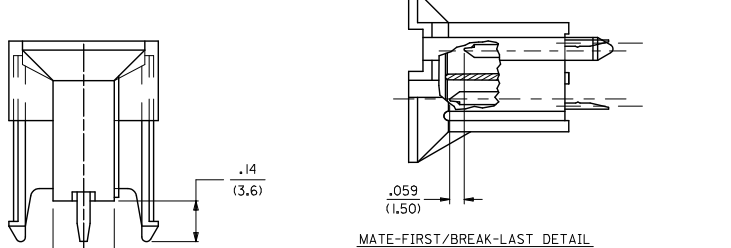
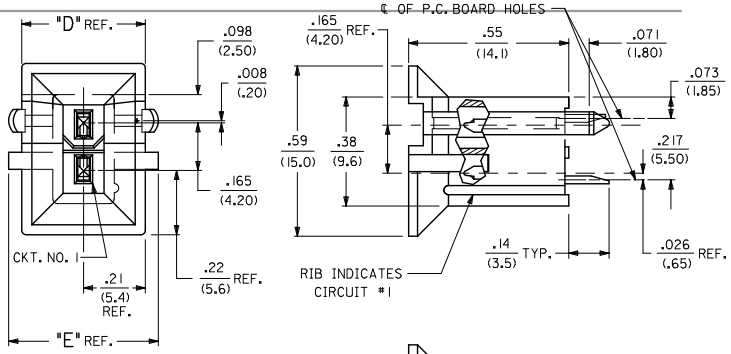
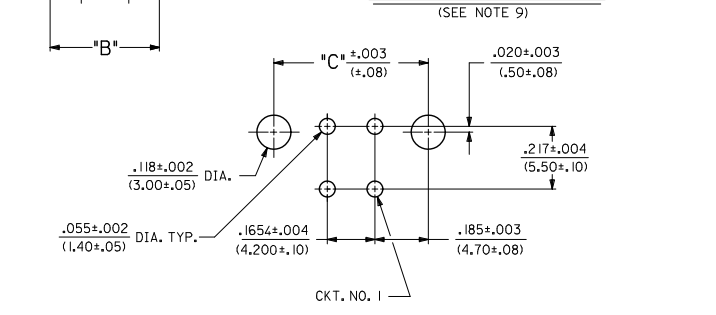
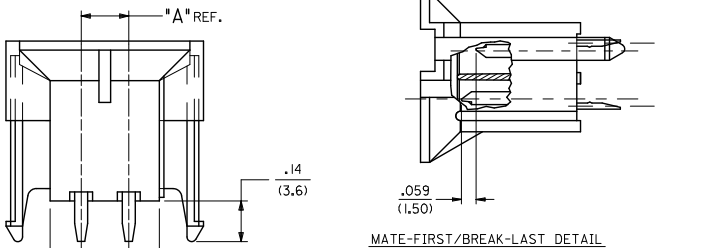
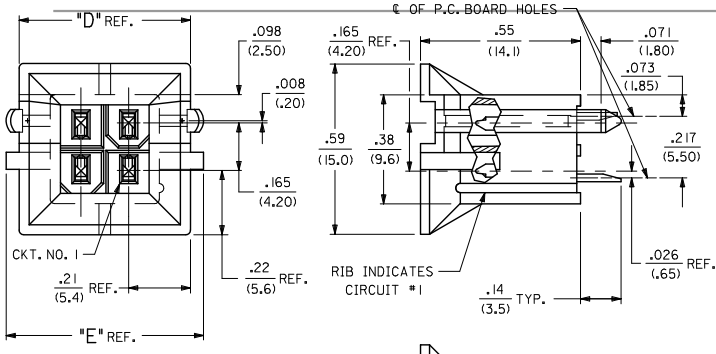


MATE-FIRST/BREAK-LAST DETAIL (SEE NOTE 9)



RECOMMENDED HOLE LAYOUT FOR .070/(1.78) MAX. THICK P.C. BOARD (SCALE: 2X)

CHANGE PLATING EC NO. UCP2012-560 DRAWING/EN 2012/01/18 CHKD/BELL 2012/01/18 APPR/SMITH 2012/02/02	QUALITY SYMBOLS ∇=0 ∇=0 ∇=0	GENERAL TOLERANCES (UNLESS SPECIFIED)		DIMENSION STYLE		SCALE	DESIGN UNITS	THIRD ANGLE PROJECTION	
		4 PLACES ± --- INCH 3 PLACES ± --- ± .010 2 PLACES ± 0.25 ± .015 1 PLACE ± 0.38 ± ---		IN/MM		4:1	METRIC		
		ANGULAR ± 1/2°		DRAWN BY	DATE	TITLE			
		DRAFT WHERE APPLICABLE MUST REMAIN WITHIN DIMENSIONS		GEP	2011/02/11	VERTICAL HEADER ASSEMBLY MINI-FIT HCS SERIES			
REV	DESCRIPTION	MATERIAL NO.		DATE		MOLEX INCORPORATED		SHEET NO.	
H		SEE CHART		2011/02/11		SDA-44474-****		1 OF 5	
		SIZE C		THIS DRAWING CONTAINS INFORMATION THAT IS PROPRIETARY TO MOLEX INCORPORATED AND SHOULD NOT BE USED WITHOUT WRITTEN PERMISSION					



SEE SHEET 1 EC NO: UCP2012-1560 DRAWING NO: 2012/0178 CHKD: BELL APPR: SMITH DATE: 2012/02/02	QUALITY SYMBOLS	GENERAL TOLERANCES (UNLESS SPECIFIED)	DIMENSION STYLE	SCALE	DESIGN UNITS	THIRD ANGLE PROJECTION
	4 PLACES ± --- ± --- 3 PLACES ± --- ± .010 2 PLACES ± 0.25 ± .015 1 PLACE ± 0.38 ± --- ANGULAR ± 1/2°	mm INCH	IN/MM	4:1	METRIC	VERTICAL HEADER ASSEMBLY MINI-FIT HCS SERIES
	DRAWN BY: GEP CHECKED BY: RJF APPROVED BY: F SMITH DATE: 2011/02/11	DRAFT WHERE APPLICABLE MUST REMAIN WITHIN DIMENSIONS		SEE CHART	MOLEX INCORPORATED SDA-44474-****	SHEET NO. 2 OF 5 THIS DRAWING CONTAINS INFORMATION THAT IS PROPRIETARY TO MOLEX INCORPORATED AND SHOULD NOT BE USED WITHOUT WRITTEN PERMISSION
	REV					

NOTES:

- 1) HOUSING MAT'L.
1 = NYLON 6/6, U.L. 94V-2, COLOR: NATURAL
2 = NYLON 6/6, U.L. 94V-0, COLOR: NATURAL
TERMINAL MAT'L.: COPPER ALLOY
- 2) TERMINAL PLATING:
1 = .000100/(.00254) MIN. MATTE TIN
OVER .000050/(.00127) MIN. NICKEL.
- 3) PRODUCT SPECIFICATION: SEE PS-44476-001.
- 4) PACKAGING:
1 = TRAY PER PK-42440-001.
- 5) 6-24 CKT. PARTS MATE WITH MINI-FIT JR. RECEPT. 5557, 42474, 44516
H.C.S. VERT. HEADER 44475, 2 & 4 CKT. DO NOT MATE WITH 5557.
- 6) PART ALLOWS FOR UP TO .100/(2.54) MISALIGNMENT WITH MATING RECEPTACLE IN
ANY DIRECTION. SEE MATING CONNECTOR DRAWINGS FOR SPECIFIC ALLOWANCES.
- 7) CONNECTOR ASSEMBLIES ARE NOT TO BE MATED OR UNMATED WHILE CIRCUITS ARE LIVE.
- 8) ITEM NUMBERS PRECEDED BY AN 'X' IN THE CHARTS ON THE FOLLOWING
SHEETS ARE NOT AVAILABLE.
- 9) CIRCUITS SHOWN PROVIDE CUSTOM MATE-FIRST/BREAK-LAST FEATURE.
SEE CHART ON SHEET SIX FOR ASSEMBLIES WITH ADDITIONAL
CUSTOM OPTIONS.
- 10) HCS PARTS WILL HAVE 'HCS' MARKING
- 11) PART CONFORMS TO CLASS 'B' REQUIREMENTS OF COSMETIC SPECIFICATION PS-45499-002
- 12) RIB LOCATION IS DETERMINED BY MOLD DESIGN FOR MANUFACTURING EASE AND THE LOCATION
DOES NOT AFFECT PART FUNCTION OR PERFORMANCE. LOCATION OF RIBS MAY VARY ON PARTS
WITHIN MANUFACTURING LOT OR SHIPMENT. THIS DRAWING SHOWS TYPICAL RIB LOCATION.
- 13) PARTS ARE NOT DESIGNED FOR CURRENT SHARING.

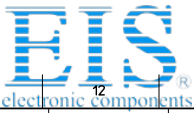
SEE SHEET 1 EC NO: UCP2012-1560 DRAWING NO: 2012/01/18 CHKD: J.BELL APPR: S.MITH 2012/02/02	QUALITY SYMBOLS ▽=0 ▽=0 ▽=0	GENERAL TOLERANCES (UNLESS SPECIFIED)		DIMENSION STYLE IN/MM		SCALE	DESIGN UNITS METRIC	THIRD ANGLE PROJECTION		
				mm	INCH	DRAWN BY GEP	DATE	TITLE VERTICAL HEADER ASSEMBLY MINI-FIT HCS SERIES		
		4 PLACES ± --- ± ---				CHECKED BY R.J.F.	DATE	APPROVED BY S.MITH		
		3 PLACES ± --- ± .010				DATE 2011/02/11		MATERIAL NO. SEE CHART		
2 PLACES ± 0.25 ± .015				DATE		DOCUMENT NO. SDA-44474-****				
1 PLACE ± 0.38 ± ---		ANGULAR ± 1/2°		DATE		SHEET NO. 3 OF 5				
DRAFT WHERE APPLICABLE MUST REMAIN WITHIN DIMENSIONS		SIZE C		THIS DRAWING CONTAINS INFORMATION THAT IS PROPRIETARY TO MOLEX INCORPORATED AND SHOULD NOT BE USED WITHOUT WRITTEN PERMISSION						

PLATING:	1 (SEE NOTE 2)	PLATING:	1 (SEE NOTE 2)	PLATING:		PLATING:		PLATING:		PLATING:	
DRAINS:	WITHOUT DRAIN HOLES	DRAINS:	WITHOUT DRAIN HOLES	DRAINS:		DRAINS:		DRAINS:		DRAINS:	
PEGS:	WITH PEGS	PEGS:	WITH PEGS	PEGS:		PEGS:		PEGS:		PEGS:	
MAT'L:	94V-2 [NATURAL]	MAT'L:	94V-0 [NATURAL]	MAT'L:		MAT'L:		MAT'L:		MAT'L:	
PACKAGING:	TRAY (SEE NOTE 4)	PACKAGING:	TRAY (SEE NOTE 4)	PACKAGING:		PACKAGING:		PACKAGING:		PACKAGING:	
ITEM NO.	CKTS	ITEM NO.	CKTS	ITEM NO.	CKTS	ITEM NO.	CKTS	ITEM NO.	CKTS	ITEM NO.	CKTS
X 44474-0211	2	X 44474-0221	2								
44474-0411	4	44474-0421	4								
44474-0611	6	44474-0621	6								
X 44474-0811	8	44474-0821	8								
44474-1011	10	44474-1021	10								
X 44474-1211	12	44474-1221	12								
44474-1411	14	44474-1421	14								
X 44474-1611	16	44474-1621	16								
44474-1811	18	44474-1821	18								
X 44474-2011	20	44474-2021	20								
X 44474-2211	22	44474-2221	22								
44474-2411	24	44474-2421	24								

PLATING:		PLATING:		PLATING:		PLATING:		PLATING:		PLATING:	
DRAINS:		DRAINS:		DRAINS:		DRAINS:		DRAINS:		DRAINS:	
PEGS:		PEGS:		PEGS:		PEGS:		PEGS:		PEGS:	
MAT'L:		MAT'L:		MAT'L:		MAT'L:		MAT'L:		MAT'L:	
PACKAGING:		PACKAGING:		PACKAGING:		PACKAGING:		PACKAGING:		PACKAGING:	
ITEM NO.	CKTS	ITEM NO.	CKTS	ITEM NO.	CKTS	ITEM NO.	CKTS	ITEM NO.	CKTS	ITEM NO.	CKTS
	2		2		2		2		2		2
	4		4		4		4		4		4
	6		6		6		6		6		6
	8		8		8		8		8		8
	10		10		10		10		10		10
	12		12		12		12		12		12
	14		14		14		14		14		14
	16		16		16		16		16		16
	18		18		18		18		18		18
	20		20		20		20		20		20
	22		22		22		22		22		22
	24		24		24		24		24		24

* ITEMS PRECEDED BY *X* ARE NOT AVAILABLE
 ITEMS ON THIS PAGE ARE STANDARD PRODUCT. REFER TO SHEET SIX FOR PRODUCT WITH CUSTOM OPTIONS.

SEE SHEET 1 EC NO: UCP2012-1560 DRAWING/OPEN 2012/01/18 CHKD/BELL 2012/01/18 APPR/SMITH 2012/02/02	QUALITY SYMBOLS	GENERAL TOLERANCES (UNLESS SPECIFIED)	DIMENSION STYLE	SCALE	DESIGN UNITS	THIRD ANGLE PROJECTION
	$\nabla = 0$ $\nabla = 0$ $\nabla = 0$	mm INCH 4 PLACES ± --- ± --- 3 PLACES ± --- ± .010 2 PLACES ± 0.25 ± .015 1 PLACE ± 0.38 ± --- ANGULAR ± 1/2°	IN/MM DRAWN BY DATE GEP CHECKED BY DATE RJF APPROVED BY DATE SMITH 2011/02/11		METRIC	
	DRAFT WHERE APPLICABLE MUST REMAIN WITHIN DIMENSIONS	SEE CHART SIZE C	MATERIAL NO. DOCUMENT NO.	TITLE VERTICAL HEADER ASSEMBLY MINI-FIT HCS SERIES	MOLEX INCORPORATED	SHEET NO. 4 OF 5
			THIS DRAWING CONTAINS INFORMATION THAT IS PROPRIETARY TO MOLEX INCORPORATED AND SHOULD NOT BE USED WITHOUT WRITTEN PERMISSION		SDA-44474-****	



Distributor of Molex Connector Corporation: Excellent Integrated System Limited

Datasheet of 0444741411 - MINIFIT HCS VT HDR DR V-2 14CKT

Contact us: sales@integrated-circuit.com Website: www.integrated-circuit.com

ITEM NO.	CHARACTERISTIC DESCRIPTION	TERMINAL VERSION REQUIRED AT EACH CIRCUIT LOCATION: (SEE CODES AT RIGHT)																								TERM. CODES FOR CHART AT LEFT	
		1	2	3	4	5	6	7	8	9	10	11	12	13	14	15	16	17	18	19	20	21	22	23	24	TERMINAL NO.	PLATING
44474-5000	I42A11	I	I	3	I	I	I	I	I	I	I	I	3	3	3	-	-	-	-	-	-	-	-	-	-	* - " = VOID	N/A
																										* 1 " = MAKE-FIRST	I
																										* 3 " = STANDARD	I

CHARACTERISTICS LEGEND:
FOR ASSEMBLIES ON THIS SHEET ONLY

CIRCUIT SIZE: _____
(02-24)

HOUSING MATERIAL AND OPTIONS: _____
*1=NYLON 6/6, U.L. 94V-2, COLOR: NATURAL.
*2=NYLON 6/6, U.L. 94V-0, COLOR: NATURAL.

TERMINAL MATERIAL: _____
A= COPPER ALLOY

TERMINAL PLATING (SEE NOTE 2): _____
*I" = MATTE TIN OVER NICKEL

PACKAGING (SEE NOTE 4): _____
*I" = TRAY

SEE SHEET 1 EC NO: UCP2072-1560 DRAWING NO: 20720178 CHKD: BELL APPR: SMITH DATE: 2011/02/02	QUALITY SYMBOLS 	GENERAL TOLERANCES (UNLESS SPECIFIED)		DIMENSION STYLE		SCALE	DESIGN UNITS	THIRD ANGLE PROJECTION	
				IN/MM					
		4 PLACES ± --- ± ---		DRAWN BY DATE		TITLE VERTICAL HEADER ASSEMBLY MINI-FIT HCS SERIES			
		3 PLACES ± --- ± .010		CHECKED BY DATE					
2 PLACES ± 0.25 ± .015		APPROVED BY DATE		MOLEX INCORPORATED DOCUMENT NO. SDA-44474-**** SHEET NO. 5 OF 5					
1 PLACE ± 0.38 ± ---		SMITH 2011/02/11							
ANGULAR ± 1/2°		MATERIAL NO.		DRAFT WHERE APPLICABLE MUST REMAIN WITHIN DIMENSIONS SEE CHART THIS DRAWING CONTAINS INFORMATION THAT IS PROPRIETARY TO MOLEX INCORPORATED AND SHOULD NOT BE USED WITHOUT WRITTEN PERMISSION					